

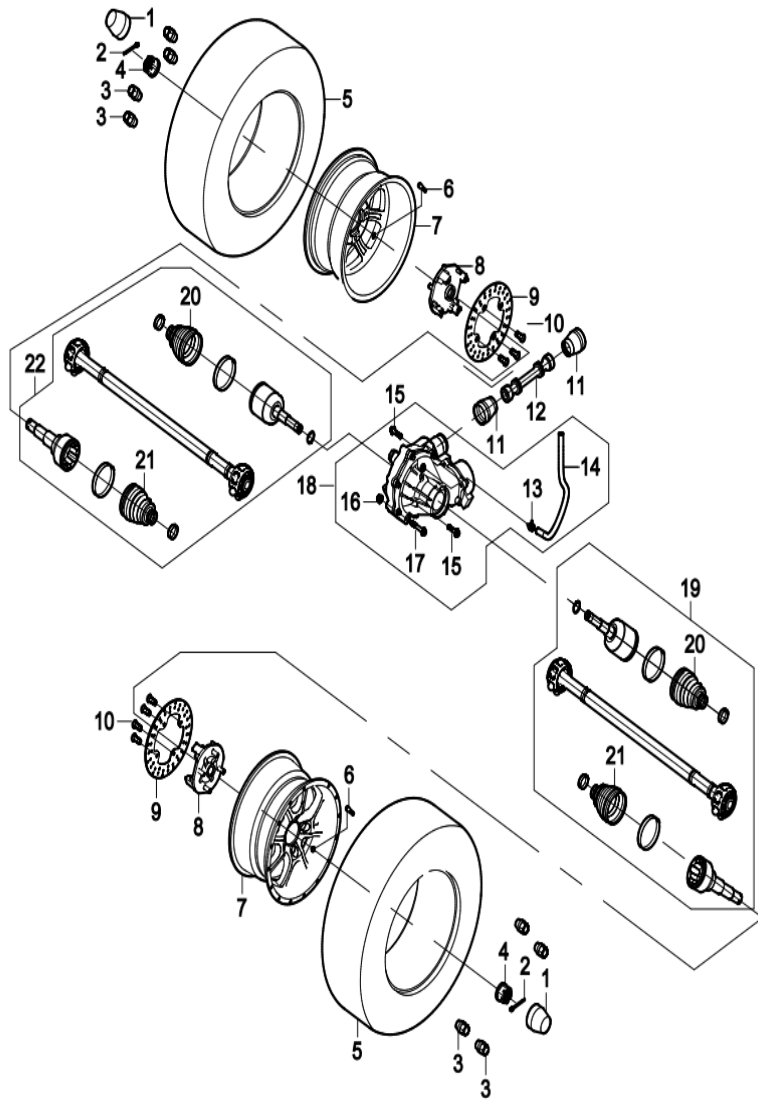


BEYOND ROADS

PATHCROSS 1000L

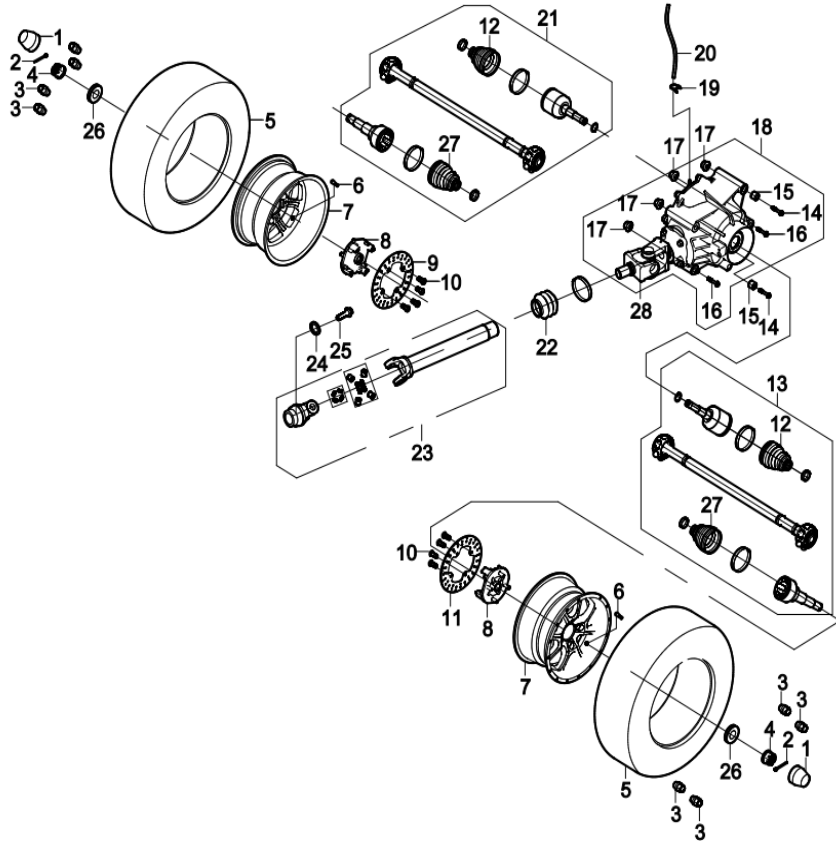
MODEL YEAR 2024



1. DIAGRAM 2024 AODES FRONT DRIVE SYSTEM F01


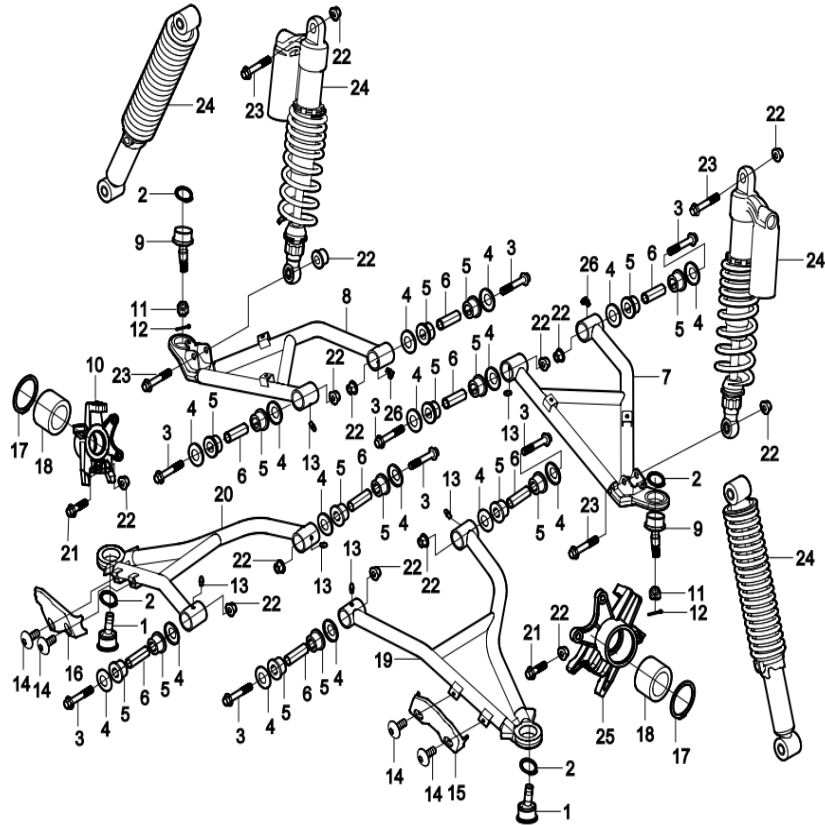
ITEM #	CODE	ENGLISH NAME	QTY	WEIGHTS (kg)
1	10405230020	Wheel Dust-Proof Cover	2	0,03
1	17005030020	Wheel Dust-Proof Cover	2	0,03
2	05011400405	Cotter Pin ϕ 4.0X40	2	0,004
3	04322120021	Acorn Nut M12x1.25, Wheel	8	0,058
4	04812220022	Slotted Flange Nut M22x1.5	2	0,094
5	17005030250	Front Tire 26X9-14	2	11,41
5	17005030530	Front Tire 26X9-14	2	11,41
5	17005030641	Front Tire(Cst)	2	13,5
6	10405230030	Air Valve	2	0,009
7	17005030280	Front Rim (Wheel)	2	5,509
7	13605030401	Front Rim 14X7	2	5,509
8	15101030000	Front Wheel-Hub	2	2,834
9	17006010020	Front Brake Disc	2	0,959
10	01824080201	Allen T Type Bolt M8X20	8	0,013
11	17003110030	Front Transmission Shaft	2	0,029
12	21170101801	Front Transmission Shaft	1	0,678
13	21160401601	Steel Clamp	1	0,009
14	21130103101	Rubber Pipe	1	0,089
15	01256100206	Hex Flange Bolt M10x20x1.25	2	0,022
16	04622100026	Heagon Flange Locking Nut M10X1.25	1	0,013
17	01256100956	Hex Flange Bolt M10X95X1.25	1	0,075

	18	21120100131	Front Differential	1	8,185
	18	17003100001	Front Differential	1	8,9
	19	17001220000	Front C.V. Shaft, Driver Side	1	3,76
	20	17001220120	Dust Cover (Front C.V. Shaft)	4	0,045
	21				
	22	17001230000	Front C.V. Shaft, Passenger Side	1	3,726

2. DIAGRAM 2024 AODES REAR DRIVE SYSTEM F02


ITEM #	CODE	ENGLISH NAME	QTY	WEIGHTS (kg)
1	10405230020	Wheel Dust-Proof Cover	2	0,03
1	17005030020	Wheel Dust-Proof Cover, Rim(Wheel)	2	0,03
2	05011400405	Cotter Pin ϕ 4.0X40	2	0,004
3	04812224022	Slotted Flange Nut M24X1.5	2	0,094
4	04322120021	Acorn Nut M12x1.25, Wheel	8	0,058
5	17005040200	Rear Tire 26X11-14	2	13,794
5	17005030540	Rear Tire, 26*11-14 (K Level)	2	13,794
5	17005040641	Rear Tire(Cst)	2	13,794
6	10405230030	Air Valve	4	0,009
7	17005040210	Rear Rim	2	5,996
7	13605040261	Rear Rim 14X8	2	5,996
8	15101040000	Rear Wheel-Hub	2	1,95
9	17006010340	Rear Brake Disc, Driver Side	1	1,177
10	17006010340	Rear Brake Disc, Driver Side	8	0,011
11	17006010350	Rear Brake Disc, Passenger Side	1	0,959
12	17010240050	Dust-Proof Sleeve (Rear C.V Shaft) C2683-001	2	0,045
13	17001240000	Rear C.V Shaft, Driver Side	1	6,048
14	01256101306	Hex Flange Bolt M10X130X1.25	2	0,009
15	17003120820	Rear Differential Sleeve	2	0,032
16	01256101206	Hex Flange Bolt M10X120X1.25	2	0,008
17	04622100026	Heagon Flange Locking Nut M10X1.25	4	0,013

	18	17003120100	Rear Reducer(Regular)	1	10,092
	19	11904070030	Spring Hose Clip φ8	1	0,001
	20	17003120720	Rear Reducer Breath Tube,320mm	1	0,017
	21	17001250000	Rear C.V Shaft, Passenger Side	1	6,183
	22	17003130030	Rear Transmisson Shaft Dust -Proof Boot	1	0,02
	23	17003130050	Transmisson Shaft Assy (Atv 1000 L Only)	1	2,4
	24	06119112835	Washer φ10.5Xφ28X3.5	1	0,015
	25	01256100256	Hex Flange Bolt M10X25X1.25	1	0,03
	26	15101250010	Front Butterfly Washer	2	0,036
	27	17010240050	Dust-Proof Sleeve (Rear C.V Shaft) C2683-001	2	0,02
	28				

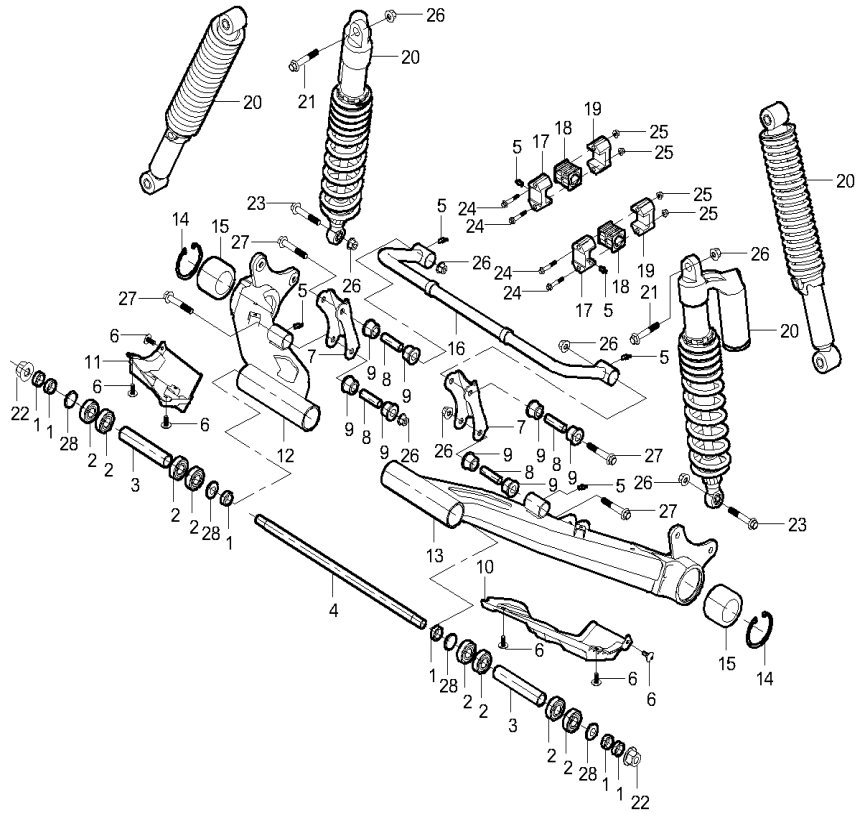
3. DIAGRAM 2024 AODES FRONT SUSPENSION SYSTEM F03


ITEM #	CODE	ENGLISH NAME	QTY	WEIGHTS (kg)
1	17300500010	Ball Joint $\phi 34$	2	0,206
2	07031340004	Snap Ring $\phi 34$	4	0,005
3	01256100756	Hex Flange Bolt M10X75X1.25	8	0,06
4	13601070030	A-Arm Nylon Sleeve Cover	16	0,008
5	10401070020	A-Arm Nylon Sleeve	16	0,01
6	13601070011	A-Arm Bushing	8	0,054
7	17001060011	Front Upper A-Arm, Driver Side	1	1,78
7	17001060091	Upper A-Arm,Fh Lh(Yellow)	1	1,78
7	17001060221	Upper A-Arm,Fh Lh (Red With Flake)	1	1,78
8	17001070081	Front Upper A-Arm, Passenger Side	1	1,78
8	17001070211	Upper A-Arm,Fh Rh(Yellow)	1	1,78
8	17001070221	Upper A-Arm,Fh Rh (Red With Flake)	1	1,78
9	10401190000	Ball Joint $\phi 34$	2	0,216
10	17005220031	Steering Knuckle, Passenger Side	1	1,83
11	04724120026	Castle Nut M12X1.25	2	0,02
12	05011250255	Cotter Pin $\phi 2.5 \times 25$	2	0,025
13	10901070090	Grease Zerk(White)	6	0,002
14	03414060124	Inner Hexagonalobular Socket Pan Head Screw M6x12 (Black)	4	0,006
15	17001220100	Front C.V. Shaft Cover (Driver Side)	1	0,043
16	17001230100	Front C.V. Shaft Cover (Passenger Side)	1	0,043
17	07011630004	C-Clamp 63	2	0,011

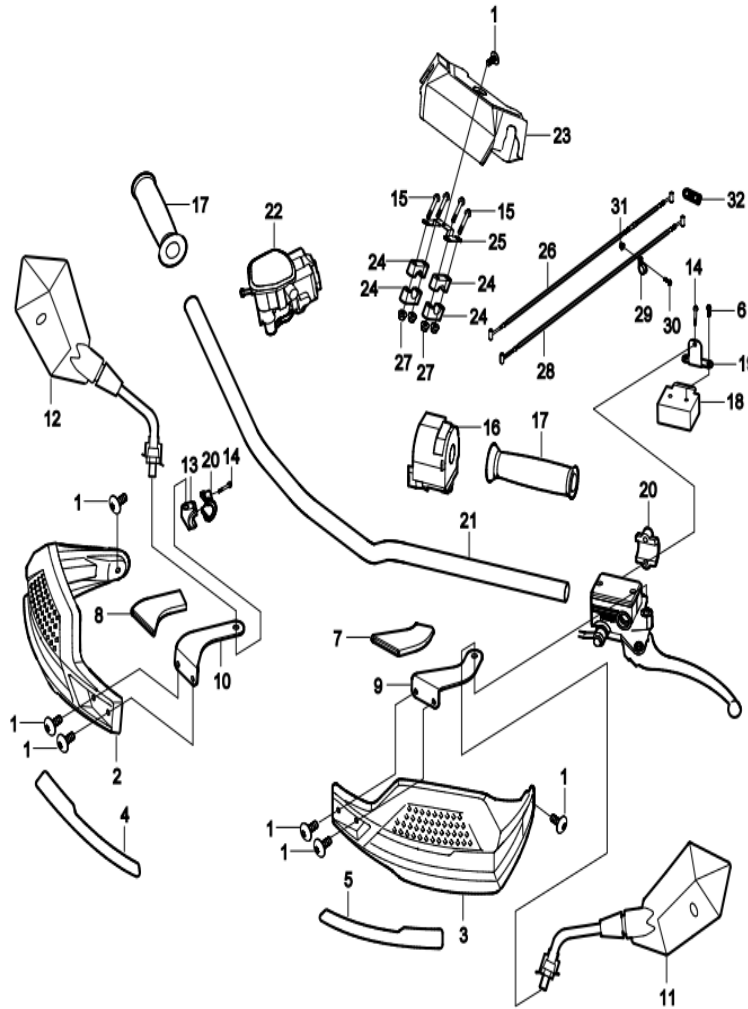
	18	09560306342	Bearing Dac306342	2	0,549
	19	17001080021	Front Lower A-Arm, Driver Side	1	1,72
	19	17001080161	Front Lower A-Arm, Driver Side (Red With Flake)	1	1,72
	19	17001080171	Lower A-Arm,Fh,Lh (Yellow)	1	1,72
	20	17001090021	Front Lower A-Arm, Passenger Side	1	1,72
	20	17001090151	Front Lower A-Arm, Passenger Side (Red With Flake)	1	1,72
	20	17001090161	Lower A-Arm,Fh,Rh(Yellow)	1	1,72
	21	17001190071	Hex Flange Bolt M10X55X1.25	2	0,04
	22	04622100026	Heagon Flange Locking Nut M10X1.25	14	0,013
	23	01256100556	Hex Flange Bolt M10X55X1.25	4	0,044
	24	17301010131	Front Shock (Ming Lang-Normal)	2	2,942
	24	17001010051	Front Shock (Ming Lang-Normal Yellow)	2	2,942
	24	17001010122	Front Shock (Ming Lang-Gasbag Red)	2	2,942
	25	17005210031	Steering Knuckle, Driver Side	1	1,83
	26				

4. DIAGRAM 2024 AODES REAR SUSPENSION SYSTEM F04

ITEM #	CODE	ENGLISH NAME	QTY	WEIGHTS (kg)
1	17001100080	Rear A-Arm Outer Bushing	6	0,02
2	09560006203	Ball Bearing 6203-2 Rs	8	0,064
3	17001100070	Rear A-Arm Ling Tube	2	0,2
4	17001100060	Rear A-Arm Connecting Shaft	1	0,2
5	10901070090	Grease Zerk(White)	6	0,002
6	03414060124	Inner Hexagonalobular Socket Pan Head Screw M6x12 (Black)	6	0,006
7	17001210080	Balance Bar Connecting Plate	2	0,26
8	17001210090	Sway Bar Lining	4	0,02
9	16201070020	Nylon Sleeve	8	0,008
10	17001120020	Rear Lower A-Arm Guard Board, Driver Side	1	0,103
11	17001130020	Rear Lower A-Arm Guard Board, Passenger Side	1	0,103
12	17001100000	Rear A-Arm,Passenger Side	1	6,54
12	17001110070	Rear Swing Arm ,Rh(Yellow)	1	6,54
12	17001110120	Rear A-Arm,Passenger Side(Red With Flake)	1	6,54
13	17001110000	Rear A-Arm,Driver Side	1	6,54
13	17001100110	Rear Swing Arm ,Lh(Yellow)	1	6,54
13	17001100120	Rear A-Arm,Driver Side(Red With Flake)	1	6,54
14	07011630004	C-Clamp 63	2	0,011
15	09560306342	Bearing Dac306342	2	0,549
16	17001210020	Sway Bar	1	2
17	17001210030	Sway Bar Block	2	0,247

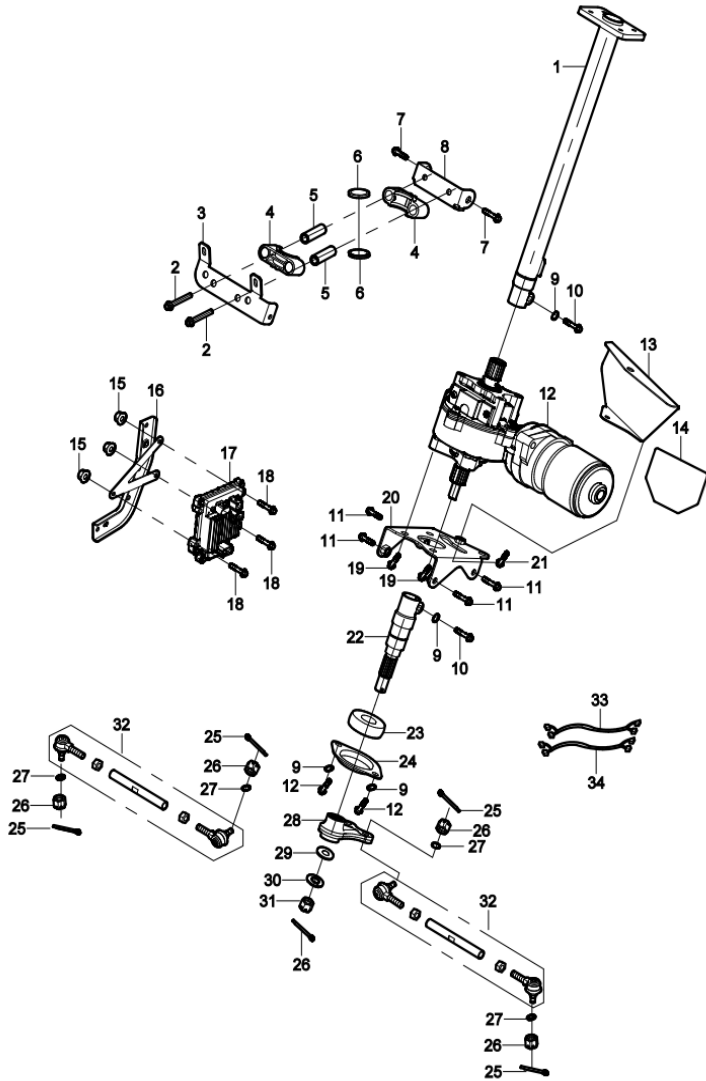


	18	17001210040	Sway Bar Cusion	2	0,025
	19	17001210070	Sway Bar Block(Grease Fitting)	2	0,245
	20	17001020142	Rear Shock Absorber (Red With Flake)	2	3,6
	20	17301020021	Rear Shock Absorber(Normal)	2	3,6
	20	17001020061	Rear Shock Absorber(Normal Yellow)	2	3,6
	21	01256100606	Hex Flange Bolt M10x60x1.25	2	0,05
	22	04632160025	Hex Flange Locking Nut M16x2.0	2	0,04
	23	01256100556	Hex Flange Bolt M10X55X1.25	2	0,044
	24	01214080806	Hex Flange Bolt M8x80	4	0,04
	25	04612080026	Hex Flange Locking Nut M8	4	0,01
	26	04622100026	Heagon Flange Locking Nut M10X1.25	8	0,013
	27	01256100706	Hex Flange Bolt M10X70X1.25	4	0,057
	28	11010025405	Oil Seal φ40X25X5	4	0,008
	29	01256100606	Hex Flange Bolt M10x60x1.25	2	0,05

5. DIAGRAM 2024 AODES HANDLEBAR F05


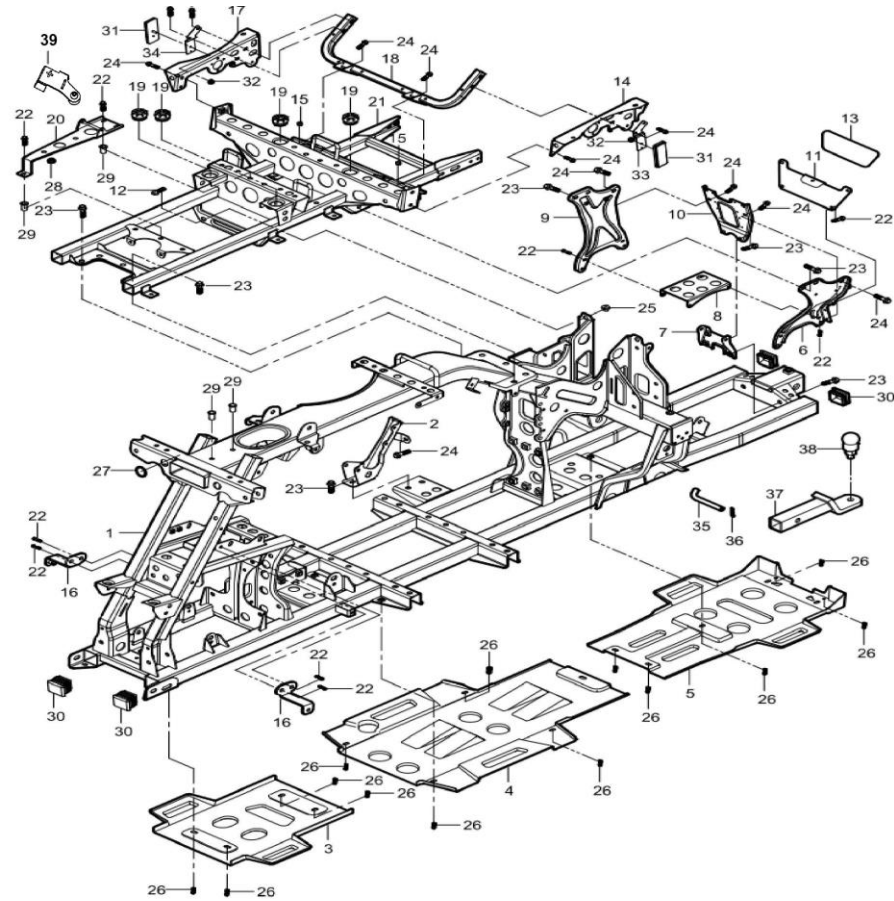
ITEM #	CODE	ENGLISH NAME	QTY	WEIGHTS (kg)
1	03414060124	Inner Hexagonalobular Socket Pan Head Screw M6x12 (Black)	7	0,005
2	17005160090	Handle Bar Cover, Passenger Side	1	0,14
3	17005160080	Handle Bar Cover, Driver Side	1	0,14
4	17014190100	Handle Bar Cover Reflective Stripe,Passenger Side	1	0,023
5	17014190090	Handle Bar Cover Reflective Stripe,Driver Side	1	0,023
6	03174040104	Round Head Screw M4X10	2	0,001
7	17005160290	Handle Bar Cover Left Mounting Board Boot	1	0,023
8	17005160300	Handle Bar Cover Right Mounting Board Boot	1	0,023
9	17005160030	Handle Bar Cover Left Mounting Board	1	0,1
10	17005160040	Handle Bar Cover Right Mounting Board	1	0,1
11	13605140000	Rear View Mirror, Driver Side	1	0,28
11	17005140000	Rear View Mirror,Driver Side	1	0,28
12	13605150000	Rear View Mirror, Passenger Side	1	0,28
12	17005150000	Rear View Mirror,Passenger Side	1	0,28
13	17006010560	Brake Lever Half Cover	1	0,052
14	01224060225	Hex Flange Bolt M6X22	4	0,01
15	01214080655	Hex Flange Bolt M8x65	4	0,033
16	17009190080	Combination Switch	1	0,14
17	13605130000	Handle Bar Grip	2	0,09
18	17014250130	Winch Control Handle	1	0,17
19	17014250150	Winch Control Hand Bar Mounting Board	1	0,02

	20	17006010560	Brake Lever Half Cover	1	0,052
	21	17005160000	Handle Bar	1	1,26
	22	17011070010	Accelerator	1	0,3
	23	17311070010	Throttle Housing	1	0,3
	24	17005160120	Steering Column Cover	1	0,11
	25	13605170010	Handle Bar Block	4	0,03
	26	17005170050	Handle Bar Middle Cover Location Board	1	0,03
	27	17011010010	Throttle Cable	1	0,067
	28	04612080026	Hex Flange Locking Nut M8	4	0,009
	29	17011020040	Parking Cable(Long Vesion)	1	0,445
	30	17006010090	Clamp (For Brake Oil Pipe)	1	0,008
	31	01254060166	Hex Flange Bolt M6x16	1	0,005
	32	04612060026	Hex Flange Locking Nut M6	1	0,004
	33	17009010300	Harness Clip	1	0,02

6.1 DIAGRAM 2024 AODES STEERING SYSTEM(SEPARATED EPS) F06-1


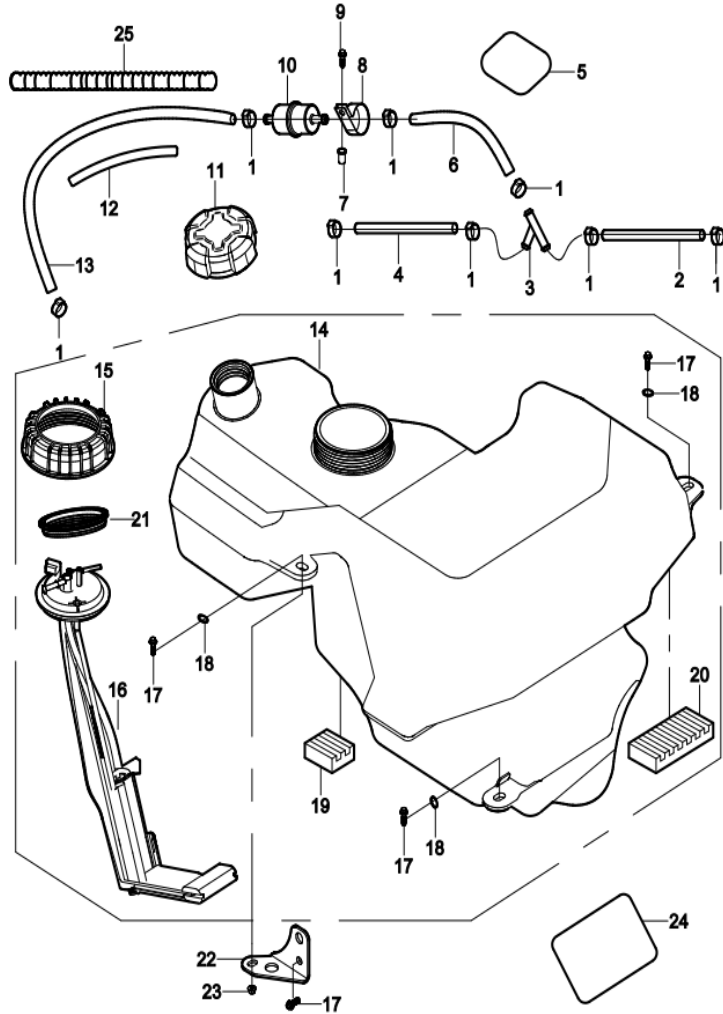
ITEM #	CODE	ENGLISH NAME	QTY	WEIGHTS (kg)
1	17005050090	Steering Colum (For Eps)	1	1,337
2	01214080656	Hex Flange Bolt M8X65	2	0,033
3	17007020070	Air Filter Front Mounting Board	1	0,14
4	13605190000	Steering Column Block	2	0,017
5	13605190010	Steering Column Block Bushing	2	0,04
6	11020038310	O-Ring ϕ 32.5X3	2	0,002
7	01256100206	Hex Flange Bolt M10x20x1.25	2	0,022
8	17005190040	Steering Colum Fixation Mounting Board	1	0,17
9	06619081405	Spring Washer ϕ 8	4	0,001
10	01224080306	Hex Flange Bolt M8x30	2	0,02
11	01224080206	Hex Flange Bolt M8x20	8	0,015
12	17005270180	EPS	1	5,997
13	17005270150	EPSHeat Insulation Board li	1	0,15
14	17014130010	Heat Insulation Film	1	0,009
15	04612060026	Hex Flange Locking Nut M6	3	0,004
16	17005270160	EPSController Bracket	1	0,481
17	17005270190	EPS Controller	1	0,819
18	01214060356	Hex Flange Bolt M6x35	3	0,012
19	01225100206	Hex Flange Bolt M10X20X1.5	4	0,026
20	17005270060	EPSPMounting Board	1	0,41
21	01254060166	Hex Flange Bolt M6x16	1	0,007

	22	17005110011	Swing Arm Connecting Shaft Assy	1	0,418
	23	09561726204	Bearing Cs204 S47X20X14	1	0,099
	24	17005050150	Steering Column Bearing Pressing Plate	1	0,04
	25	05011300252	Cotter Pin ϕ 3.0X25	3	0,002
	26	04712100022	Castle Nut M10X1.25	4	0,016
	27	06119102005	Flat Washer ϕ 10.5 \times ϕ 20 \times 2	4	0,004
	28	17005110002	Steering Rocker Arm	1	0,317
	29	16101140050	Washer ϕ 16.3X31.5X1.75	1	0,008
	30	06619162405	Spring Washer ϕ 16	1	0,015
	31	04722160022	Castle Nut 16X1.5	1	0,05
	32	13605120001	Steering Tie Rod	2	0,716
	33	17005270110	Motor Extension Wire	1	0,2
	34	17005270170	Sensor Extension Wire	1	0,04

7.1 DIAGRAM 2024 AODES FRAME&ACCESSORIES (EUROPE STANDARD) F07-1


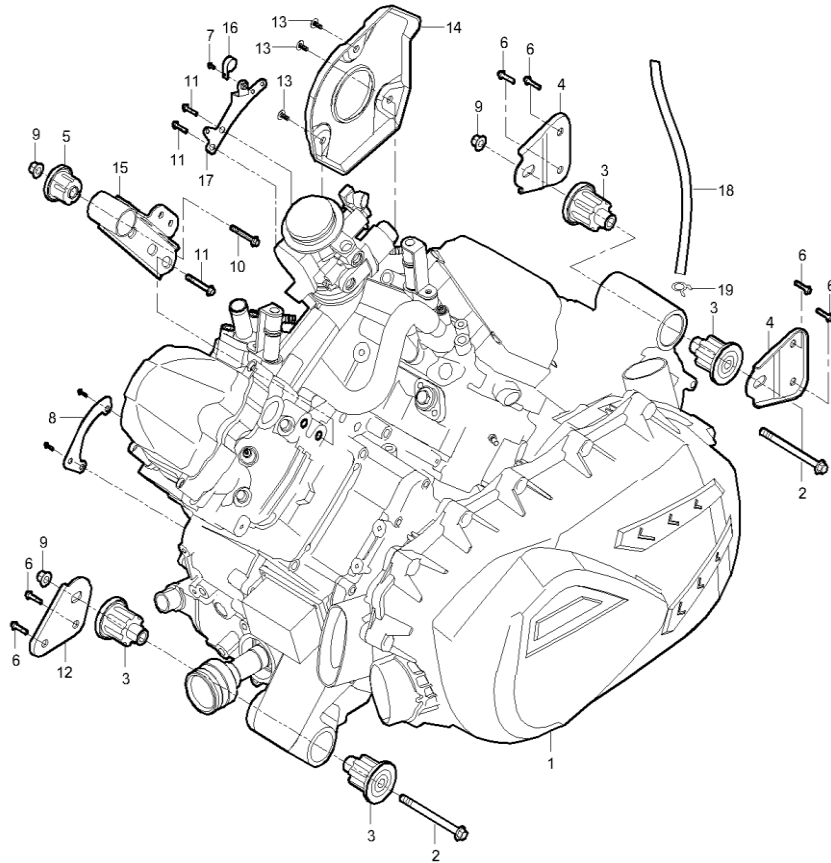
ITEM #	CODE	ENGLISH NAME	QTY	WEIGHTS (kg)
1	17008010000	Frame	1	39,2
2	17006080010	Main Pump Mounting Bracket (Longt)	1	0,54
3	17008010060	Front Bottom Guard Board	1	0,246
4	17008010080	Middle Bottom Guard Board	1	0,591
5	17008010070	Rear Bottom Guard Board	1	0,384
6	17008250060	Rear Reducer Mounting Board, Driver Side	1	1
7	17008250090	Rear Reducer Reinforcing Board 2	1	0,28
8	17004180030	Fuel Tank Rear Mounting Board	1	0,3
9	17008250070	Rear Reducer Mounting Board, Passenger Side	1	1
10	17008250080	Rear Reducer Reinforcing Board 1	1	0,47
11	17004180010	Fuel Tank Heat Insulation Board	1	0,34
12	01256100256	Hex Flange Bolt M10X25X1.25	2	0,026
13	17014130010	Heat Insulation Film	1	0,011
14	17008130150	Rear Storage Supporting Board,Driver Side	1	0,85
15	04612080026	Hex Flange Locking Nut M8	2	0,009
16	17010580030	Front Mud Fender Mounting Ear	2	0,05
17	17008130160	Rear Storage Supporting Board,Passenger Side	1	0,86
18	17008130010	Rear Storage Rack Connecting Frame	1	1,34
19	17014020010	Seat Saddle Rubber Mat	4	0,02
20	17009090200	Battery Pressing Board	1	0,32
21	17008010010	Long Model Subframe	1	7,97

	22	01254060166	Hex Flange Bolt M6x16	17	0,007
	23	01256100206	Hex Flange Bolt M10x20x1.25	14	0,022
	24	01224080166	Hex Flange Bolt M8x16	16	0,013
	25	04622100026	Heagon Flange Locking Nut M10X1.25	2	0,013
	26	03414060164	Inner Hexalobular Socket Pan Head Screws M6X16	14	0,007
	27	17012050170	Water Pipe Spacer Bush	1	0,008
	28	10710150170	Seat Bottom Rubber Rubber, Outside	2	0,008
	29	04512060027	Rivet Nut M6	17	0,007
	30	17008010050	Rubber Plug(40*40)	4	0,003
	31	13609180080	Retroreflector (Red Rectangle)	2	0,023
	32	04112050025	Hex Flange Nut M5	2	0,003
	33	17009180100	Reflector Installation Plate,Driver Side	1	0,05
	34	17009180110	Reflector Installation Plate,Passenger Side	1	0,05
	35	10908420030	Tow Ball Fixed Pin	1	0,226
	36	10908420040	Tow Ball Pin	1	0,012
	37	10908420080	Trailer Pothook	1	2,254
	38	17308420010	Tow Ball 2"	1	1,1
	39	17009090280			

8. DIAGRAM 2024 AODES FUEL SYSTEM (1000CC) F08


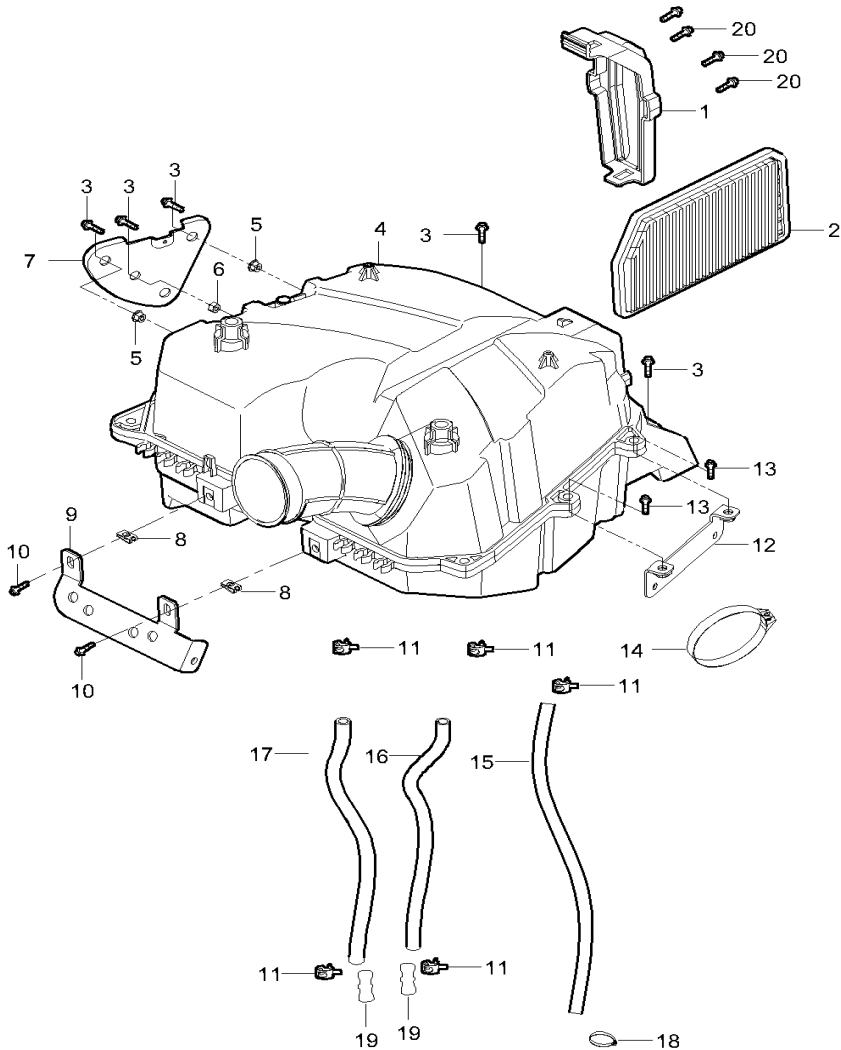
ITEM #	CODE	ENGLISH NAME	QTY	WEIGHTS (kg)
1	21170104101	Hose Clamp 14.8mm	8	0,003
2	21170103801	Fuel Hose	1	0,016
3	21170102801	Y Type Copper Tee	1	0,009
4	21170103801	Fuel Hose	1	0,017
5	17014130010	Heat Insulation Film	1	0,009
6	21170104001	Fuel Hose	1	0,07
7	04512060027	Rivet Nut M6	1	0,007
8	17004060010	Fuel Filter Bracket	1	0,018
9	01254060166	Hex Flange Bolt M6x16	1	0,007
10	17004060000	Fuel Filter	1	0,065
11	17004020000	Tank Cap	1	0,069
12	10904040080	Fuel Hose Protection Spring $\phi 17$ L=650mm	1	0,071
13	17001040620	Fuel Hose (Long)	1	0,06
14	17004010160	Fuel Tank	1	4,246
15	17004010190	Fuel Pump Top Cover	1	0,05
16	17004080000	Fuel Pump	1	0,699
17	01224080306	Hex Flange Bolt M8x30	4	0,044
18	06219092205	Cross Pan Head Bolt $\phi 8.5 \times \phi 22 \times 2$	3	0,005
19	17004010210	Fuel Tank Cushion Washer 1	1	0,006
20	17004010220	Fuel Tank Cushion Washer 2	1	0,012
21				

	22	17004180020	Fuel Tank Front Mounting Board	1	0,08
	23	04612080026	Hex Flange Locking Nut M8	1	0,009
	24	17014130010	Heat Insulation Film	1	0,028
	25	13204040540	Fuel Hose Protection Spring $\phi 17$ L=300mm	1	0,01

9. DIAGRAM 2024 AODES ENGINE INSTALLATION F09


ITEM #	CODE	ENGLISH NAME	QTY	WEIGHTS (kg)
1	41000409115	Engine Assembly 1000cc	1	85
2	01256101256	Hex Flange Bolt M10X125X1.25	2	0,1
3	21040206301	Anti-Vibration Mount	4	0,066
4	17002180010	Engine Rear Mounting Board	2	0,1
5	21021100301	Engine Upper Hanging Bracket Rubber Boot	1	0,032
6	01224080166	Hex Flange Bolt M8x16	6	0,013
7	01254060166	Hex Flange Bolt M6x16	1	0,007
8	17012050060	Water Outlet Mounting Board	1	0,02
9	04622100026	Heagon Flange Locking Nut M10X1.25	3	0,013
10	01256100506	Hex Flange Bolt M10X50X1.25	1	0,05
11	01225100206	Hex Flange Bolt M10X20X1.5	4	0,026
12	17002170010	Engine Front Right Mounting Board	1	0,1
13	03414060124	Inner Hexagonalobular Socket Pan Head Screw M6x12 (Black)	3	0,006
14	17007030120	CVT Cover(Front Right)	1	0,069
15	17002110000	Engine Upper Hanging Bracket(Atv1000 Only)	1	0,25
16	10109380030	Wire Harness Mounting Clamp 3	1	0,005
17	17009010290	Wire Fixing Board (1000Cc Only)	1	0,07
18	17003120720	Rear Reducer Breath Tube,320mm	1	0,014
19	11904070030	Spring Hose Clip φ8	1	0,001

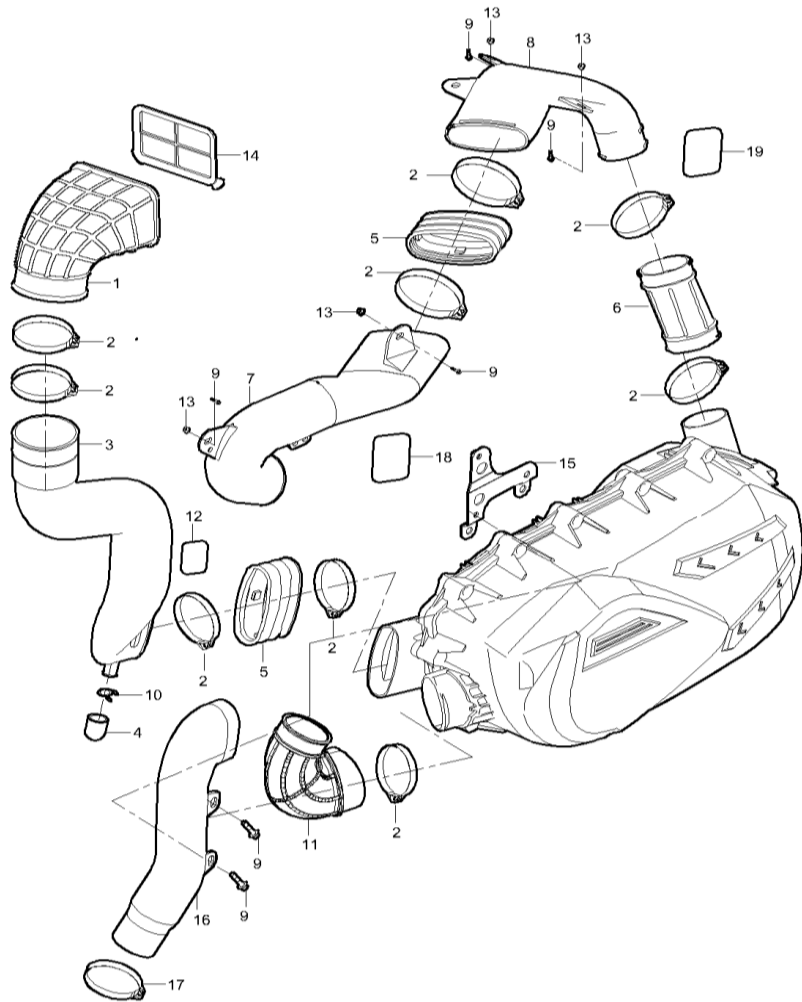
10. DIAGRAM 2024 AODES INTAKE SYSTEM F10



ITEM #	CODE	ENGLISH NAME	QTY	WEIGHTS (kg)
1	21170101723	Air Filter Buckle	1	0,06
2	21170101731	Air Filter	1	0,075
3	01224080166	Hex Flange Bolt M8x16	5	0,013
4	21051101802	Air Filter Assembly(1000cc)	1	2,024
5	04612080026	Hex Flange Locking Nut M8	2	0,009
6	04212080026	Hex. Nut M8	1	0,005
7	17008220000	Shiting Fixing Board	1	0,11
8	04922060025	Plate Nut (Long) M6	2	0,002
9	17007020070	Air Filter Front Mounting Board	1	0,14
10	01254060166	Hex Flange Bolt M6x16	5	0,007
11	17004070060	Clamp φ14.5	5	0,003
12	17009590010	ECU Mounting Bracket	1	0,06
13	01254060256	Hex Flange Bolt M6x25	2	0,01
14	17007030270	Clamp φ60-φ80	1	0,022
15	21170102101	Crankcase Off-Gas Line (Left Case)	1	0,03
16	17007020130	Air Filter Overflow Pipe,472mm	1	0,105
17	17007020130	Air Filter Overflow Pipe,472mm	1	0,9
18	21130103201	Clamp	1	0,006
19	21170103401	Air Filter Drain Stopper	2	0,002
20	21051101813	Hex Socket Cap Screw M5X16	6	0,005

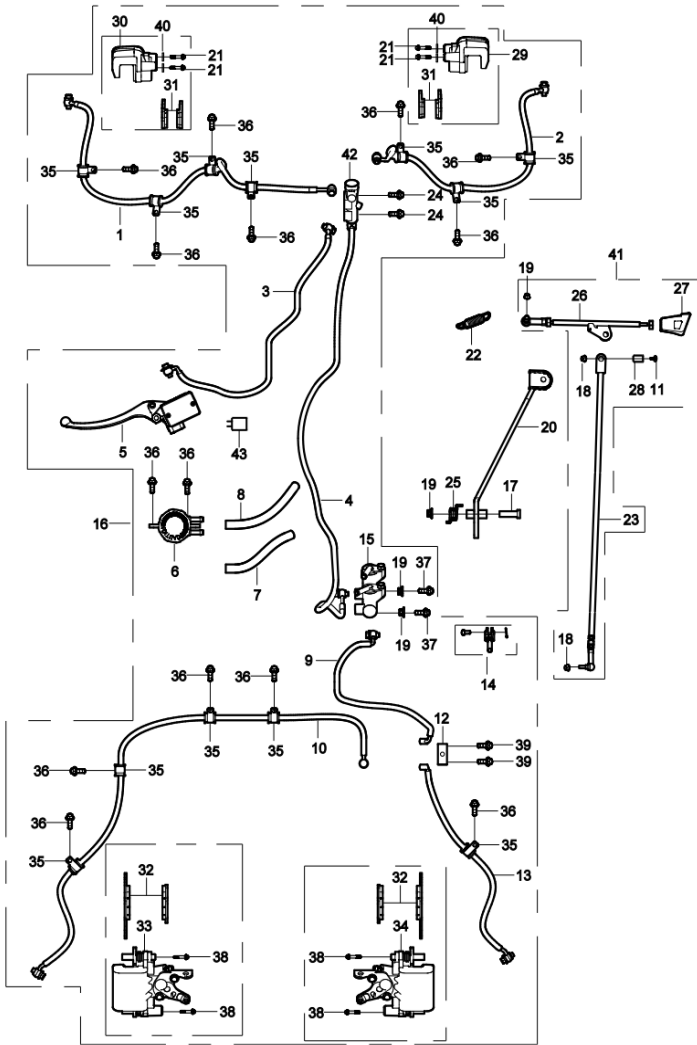
11.1 DIAGRAM 2024 AODES CVT INTAKE&EXHAUST SYSTEM(STANDARD) F11-1

ITEM #	CODE	ENGLISH NAME	QTY	WEIGHTS (kg)
1	17307030260	CVT Air Inlet Boot	1	0,198
2	17007030270	Clamp $\phi 60-\phi 80$	9	0,022
3	17007030000	CVT Intake Pipe	1	0,335
4	17007050160	Drain Stopper	1	0,002
5	17007030011	CVT Air Inlet Pipe Holster	2	0,049
6	17007040011	CVT Air Outlet Pipe Holster	1	0,094
7	17007040051	CVT Air Outlet Pipe1	1	0,188
8	17007040001	CVT Air Outlet Pipe 2	1	0,271
9	01254060166	Hex Flange Bolt M6x16	6	0,271
10	10404070020	Clamp,11mm-13.5mm	1	0,003
11	17007040070	CVT Outlet Pipe 3 Rubber Sleeve	1	0,136
12	17014130010	Heat Insulation Film	1	0,014
13	04612060026	Hex Flange Locking Nut M6	4	0,004
14	17307030270	CVT Air Inlet Pipe Filter	1	0,012
15	21170103601	CVT Air Outlet Mounting Ear	1	0,022
16	17007040060	CVT Outlet Pipe 3	1	0,206
17	12304010090	Clamp, $\phi 40-\phi 60$	1	0,010
18	17014130010	Heat Insulation Film	1	0,014
19	17014130010	Heat Insulation Film	1	0,014

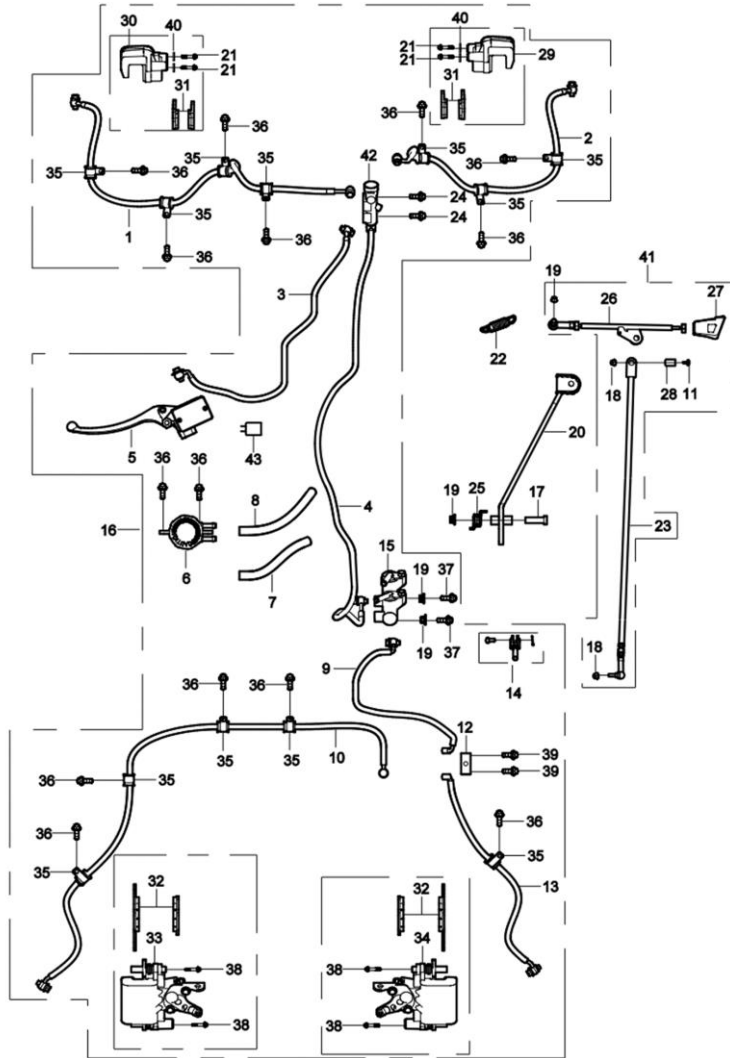


11.2 DIAGRAM 2024 AODES CVT INTAKE&EXHAUST SYSTEM F11-2		ITEM #	CODE	ENGLISH NAME	QTY	WEIGHTS (kg)
		1	17307030260	CVT Air Inlet Boot	1	0,198
		2	17007030270	Clamp φ60-φ80	9	0,022
		3	17007030000	CVT Intake Pipe	1	0,335
		4	17007050160	Drain Stopper	1	0,002
		5	17007030011	CVT Air Inlet Pipe Holster	2	0,049
		6	17007040011	CVT Air Outlet Pipe Holster	1	0,094
		7	17007040051	CVT Air Outlet Pipe1	1	0,188
		8	17007040001	CVT Air Outlet Pipe 2	1	0,271
		9	01254060166	Hex Flange Bolt M6×16	4	0,271
		10	10404070020	Clamp,11mm-13.5mm	1	0,003
		11	21170102201	CVT Outlet Sealing Boot	1	0,077
		12	17014130010	Heat Insulation Film	1	0,014
		13	04612060026	Hex Flange Locking Nut M6	4	0,004
		14	17307030270	CVT Air Inlet Pipe Filter	1	0,012
		15	17014130010	Heat Insulation Film	1	0,014
		16	17014130010	Heat Insulation Film	1	0,014

12. DIAGRAM 2024 AODES BRAKING SYSTEM F12



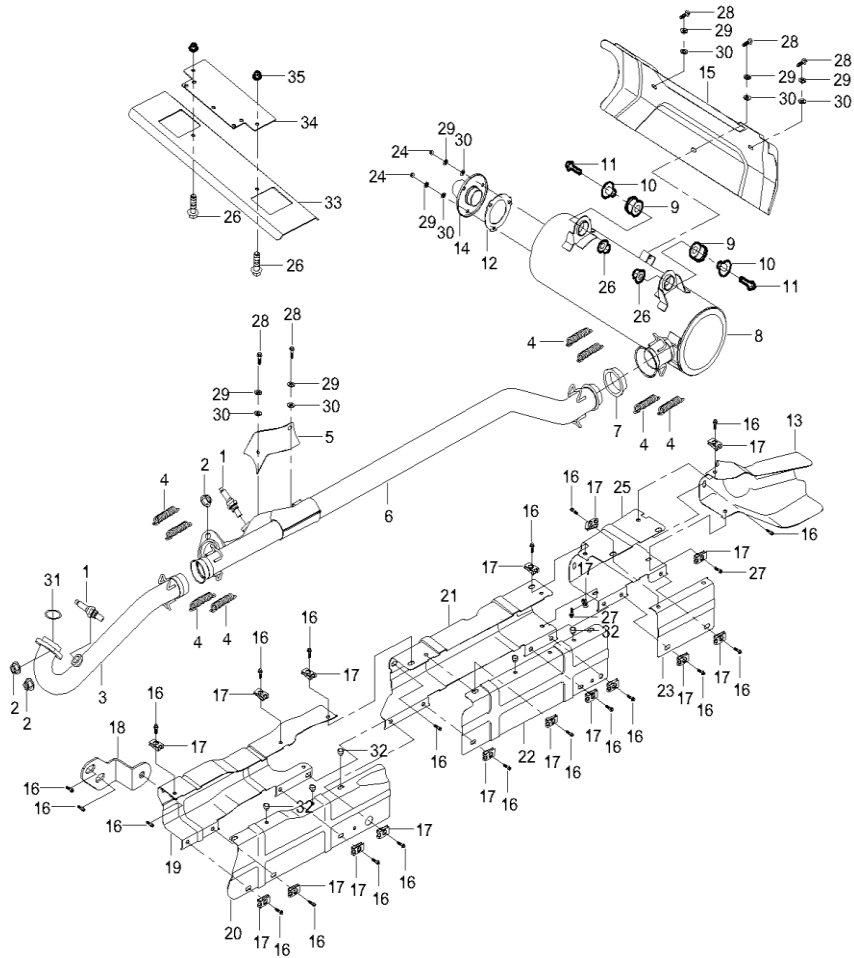
ITEM #	CODE	ENGLISH NAME	QTY	WEIGHTS (kg)
1	17006010160	Front Left Brake Hose	1	0,13
2	17006010170	Front Right Brake Hose	1	0,87
3	17006010370	Hand Brake Hose	1	0,9
4	17006010380	Footbrake Front Hose	1	1,56
5	17006010360	Hand Brake Pump	1	0,45
6	17006010590	Brake Oil Cup (T3 Version)	1	0,12
6	13606010440	Brake Oil Cup	1	0,12
7	17006010420	Footbrake Pump Rear Oil Pipe Line	1	0,03
8	17006010410	Footbrake Pump Front Oil Pipe Line	1	0,03
9	17006010390	Footbrake Rear Hose	1	0,35
10	17006010260	Rear Left Brake Hose	1	1,4
11	01254060256	Hex Flange Bolt M6x25	1	0,01
12	17006010460	Rear Tee-Junction	1	0,08
13	17006010250	Rear Right Brake Hose	1	0,56
14	15106010470	Brake Rod Of Master Cyliner	1	0,03
15	17006010270	Brake Pump	1	0,4
16	17006010540	Brake Assy (Atv Long Model Only)	1	8,927
17	01824081506	Hex Flange Step Bolt M8	1	0,05
18	04612060025	Hexagon Flange Locking Nut M6	1	0,004
19	04612080026	Hex Flange Locking Nut M8	4	0,009
20	17006030000	Foot Brake Pedal	1	0,615



21	01256100256	Hex Flange Bolt M10X25X1.25	4	0,026
22	13611050020	Gear Shifting Spring	1	0,022
23	17011120020	Shifting Lever(Atv1000Only)	1	0,378
24	01224060305	Hex Flange Bolt M6x30	2	0,01
25	16106030021	Brake Pedal Return Spring	1	0,015
26	17011060000	Shifting Hand Lever (Atv1000 Only)	1	0,188
27	17011050000	Shifting Ball	1	0,11
28	17011060130	Shifting	1	0,005
29	17006010050	Front Brake Calliper,Passenger Side	1	1,17
30	17006010040	Front Calliper,Driver Side	1	1,17
31	17006010060	Front Brake Pad	2	1,17
32	17006010080	Rear Brake Pads	2	1,17
33	17006010150	Rear Brake Caliper , Passenger Side	1	1,6
34	17006010140	Rear Brake Caliper, Driver Side	1	1,6
35	17006010090	Clamp (For Brake Oil Pipe)	12	0,01
36	01224060125	Hex Flange Bolt M6X12	16	0,007
37	01224080306	Hex Flange Bolt M8x30	1	0,044
38	01225100206	Hex Flange Bolt M10X20X1.5	4	0,026
39	03344060205	Countersunk Allen Screw M6X20	4	0,009
40	06119102005	Flat Washer $\phi 10.5 \times \phi 20 \times 2$	4	0,004
41	17011120001	Shift Assembly (1000)	1	0,65
42	17006010450	Proportional Valve	1	0,14

	43	14506010720	Parking Brake Lever, Parking Brake Switch	1	0,005
--	----	-------------	---	---	-------

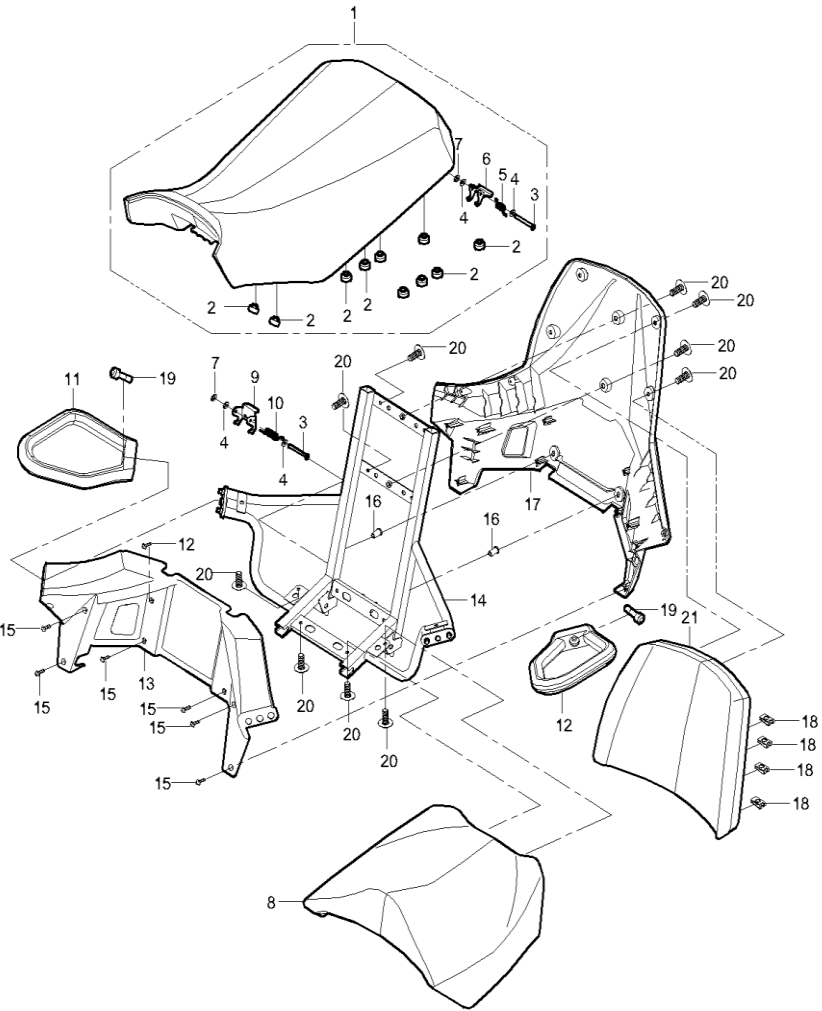
13. DIAGRAM 2024 AODES EXHAUST SYSTEM F13



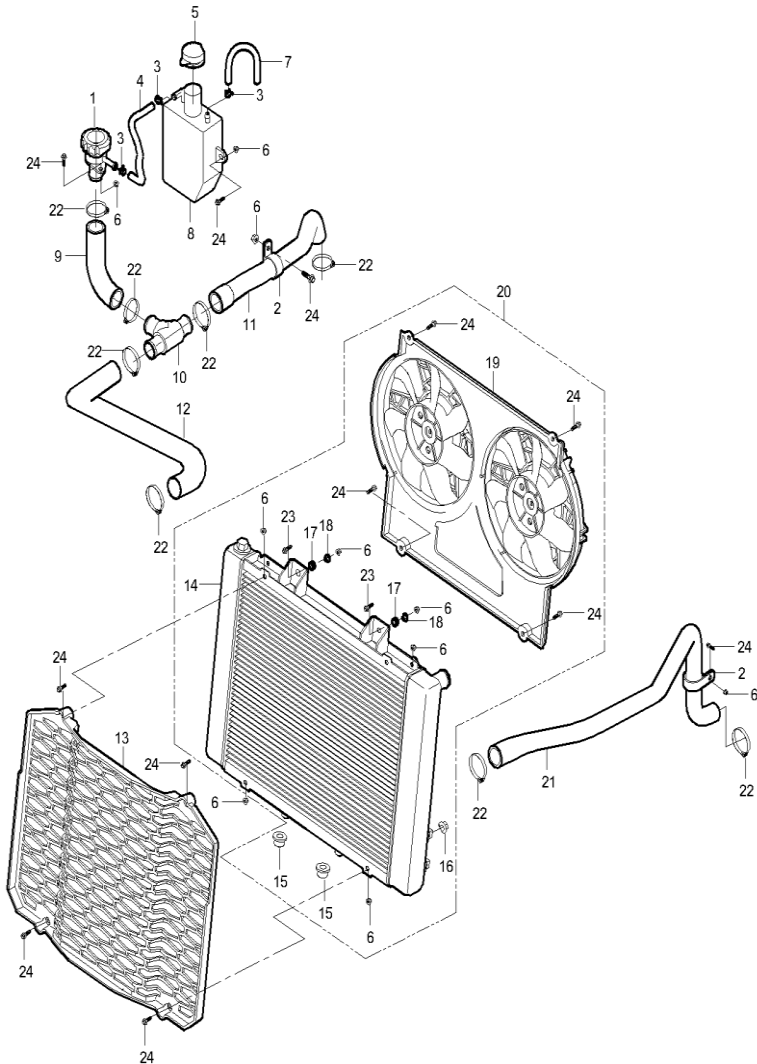
ITEM #	CODE	ENGLISH NAME	QTY	WEIGHTS (kg)
1	21040400702	O2 Sensor	2	0,087
2	04522080026	Hex Flange Locking Nut M8	4	0,009
3	17007010060	Front Cylinder Exhaust Pipe(Atv1000 Only)	1	0,83
4	17007010340	Exhaust Pipe Tension Spring	8	0,022
5	17007010290	Rear Exhaust Pipe Heat Insulation Board(Atv1000)	1	0,072
6	17007010070	Rear Cylinder Exhaust Pipe (Atv 1000 Long Model Only)	1	2,5
7	17007010170	Graphite Seal Cartridge(Small)	1	0,019
8	17007010020	Muffler(1000Cc)	1	6,97
8	17007090020	Muffler (With Catalyst)	1	7,02
9	13607010140	Muffler Hang Rubber Sleeve	2	0,015
10	13607010190	Muffler Hang Neck Bushing	2	0,022
11	01224080356	Hex Flange Bolt M8x35	2	0,021
12	17007100820	Graphite Washer	1	0,01
13	17007010310	Muffler Insulation Board(Front)	1	0,431
14	17007010770	Tail Exhaust Combination	1	0,28
15	17007010320	Muffler Body Protective Board	1	0,802
16	01254060166	Hex Flange Bolt M6x16	28	0,007
17	17007010780	Clip M6	21	0,005
18	17007010760	Exhaust Pipe Heat Insulation Board Front Mounting Ear	1	0,05
19	17007010380	Front Cylinder Exhaust Pipe Heat Insulation Board (Inner)	1	0,6
20	17007010370	Front Cylinder Exhaust Pipe Heat Insulation Board (Inner)	1	0,482

	21	17007010400	Rear Cylinder Exhaust Pipe Heat Insulation Plate(Rear)	1	0,71
	22	17007010390	Rear Cylinder Exhaust Pipe Heat Insulation Plate(Front)	1	0,44
	23	17007010410	Middle Exhaust Pipe Heat Insulation Board (Outer)	1	0,14
	24	04312060023	Cap Nut M6	3	0,007
	25	17007010420	Middle Exhaust Pipe Heat Insulation Board (Inner)	1	0,38
	26	04522080026	Hex Flange Locking Nut M8	2	0,38
	27	01254060126	Hex Flange Bolt M6x12	2	0,009
	28	01244060163	Hex Flange Bolt M6X16	8	0,006
	29	06619061003	Spring Washer φ6	9	0,007
	30	06119061203	Washer φ6Xφ12X1	9	0,002
	31	21040400101	Exhaust Gasket	2	0,01
	32	17007010790	Heat Insulation Cushion	11	0,0004
	33	17010630180	Storage Box Bottom Insulation Board	1	0,8
	34	17010630190	Storage Box Bottom Insulation Board (Upper)	1	0,48
	35	04612060026	Hex Flange Locking Nut M6	2	0,004

14. DIAGRAM 2024 AODES SEATS F14

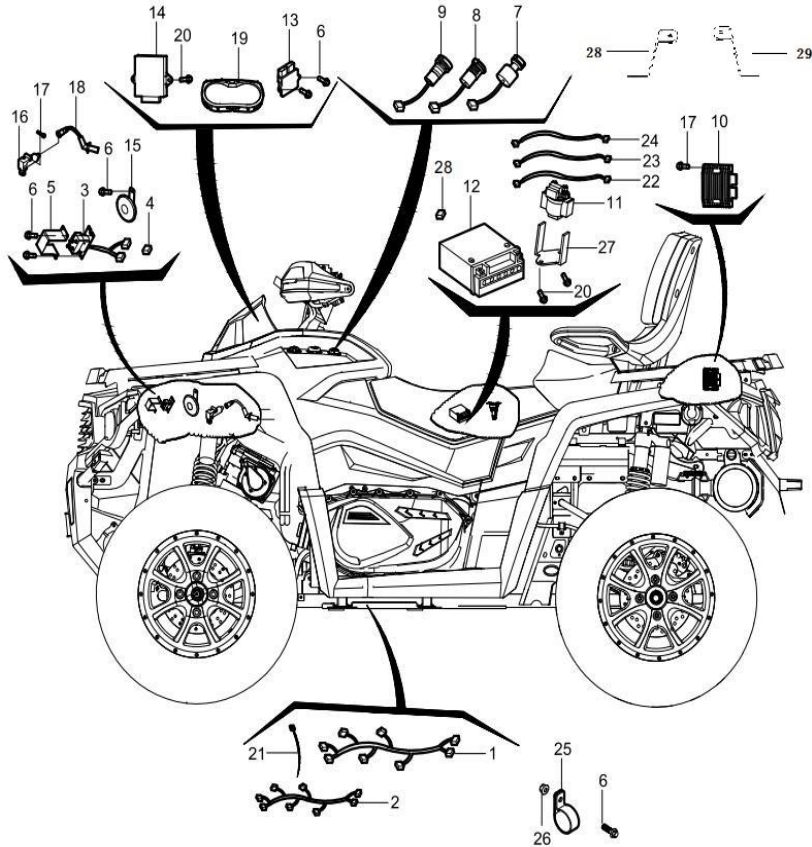


ITEM #	CODE	ENGLISH NAME	QTY	WEIGHTS (kg)
1	17014020110	Sear Saddle (Without Alarm)	1	2,4
2	17014020250	Front Seat Rubber Washer	10	0,004
3	17014020270	Seat Base Shaft Pin	2	0,013
4	06119061805	Washer 6.5x18x1	4	0,002
5	17014020280	Front Seat Spring	1	0,006
6	17014020290	Front Seat Latch	1	0,026
7	07031050501	E Type Snap Ring	2	0,0002
8	17014020070	Rear Seat	1	1,448
9	17014020160	Rear Seat Hook Limitation Board	1	0,045
10	17014020260	Rear Seat Sprng	1	0,008
11	17008080020	Rear Right Hand Rail	1	0,609
12	17008070020	Rear Left Hand Rail	1	0,609
13	17014020220	Rear Rest Front Cover	1	0,6
14	17008090000	Rear Seat Mounting Bracket	1	4,158
15	03714420165	Tapping Screws St4.2x16	14	0,002
16	04512060027	Rivet Nut M6	2	0,007
17	17014020230	Rear Rest Rear Cover	1	0,991
18	04922060025	Plate Nut (Long) M6	8	0,002
19	01224080256	Hex Flange Bolt M8x25	2	0,012
20	03414060164	Inner Hexalobular Socket Pan Head Screws M6X16	14	0,007
21	17014020140	Rear Seat Back	1	0,927

15. DIAGRAM 2024 AODES COOLING SYSTEM F15


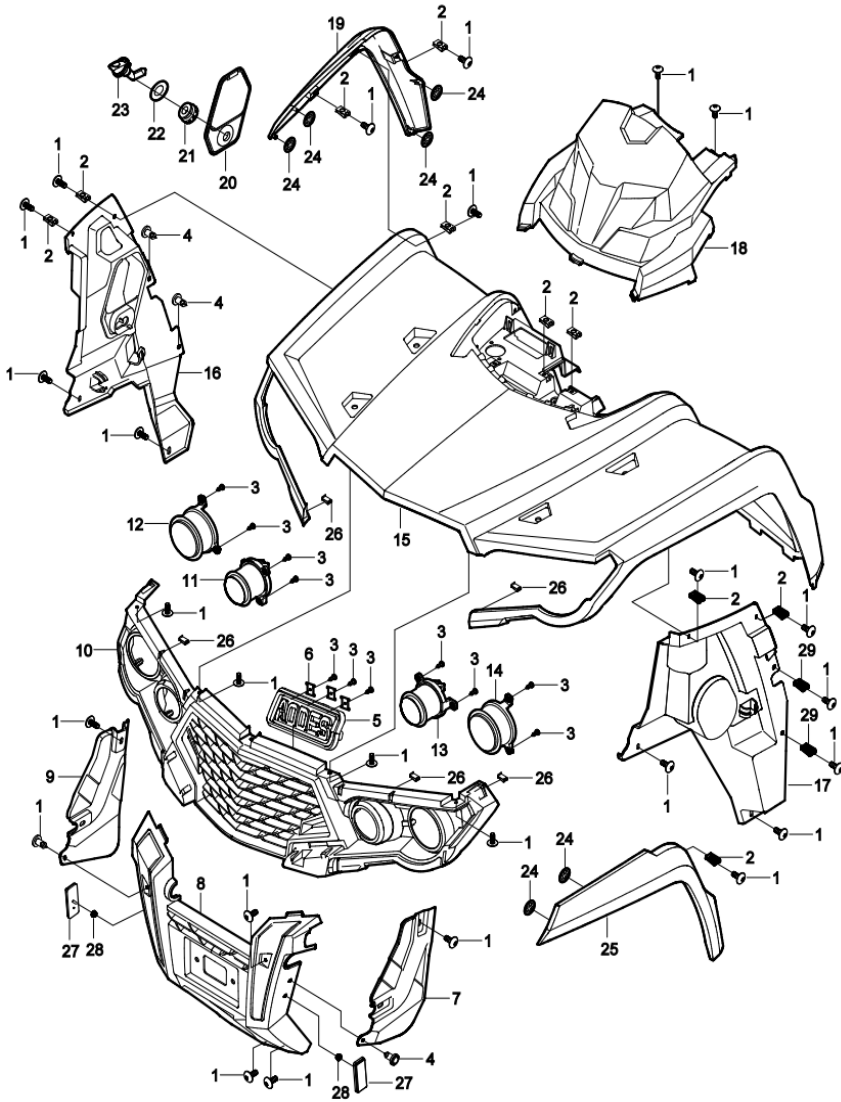
ITEM #	CODE	ENGLISH NAME	QTY	WEIGHTS (kg)
1	21040400913	Radiator Cap	1	0,072
2	10109380030	Wire Harness Mounting Clamp 3	2	0,017
3	11904070030	Spring Hose Clip $\phi 8$	3	0,017
4	17012050080	Auxiliary Water Tank Breath Pipe $\phi 7-\phi 9$ L=86	1	0,001
5	17012040030	Auxiliary Water Tank Cover	1	0,01
6	04612060025	Hexagon Flange Locking Nut M6	12	0,004
7	17012050080	Auxiliary Water Tank Breath Pipe $\phi 7-\phi 9$ L=86	1	0,013
8	13612040000	Auxiliary Water Tank	1	0,153
9	17012050050	Water Filling Tube	1	0,077
10	17012050120	T-Junction	1	0,044
11	17012050010	Water Outlet Pipe I	1	0,143
12	17012050000	Water Outlet Pipe II	1	0,235
13	17012020000	Radiator Protective Cover	1	0,206
14	21170101501	Radiator With Dual Fans	1	5
15	13612030030	Fixing Rubber Sleeve	2	0,002
16	21040402202	Temperature Sensor Oil Cooler,82°C	1	0,05
17	17012030080	Radiator Upper Mounting Rubber Sleeve	2	0,002
18	17012030090	Radiator Upper Mounting Inner Sleeve	2	0,007
19	21040400933	Fan	1	3
20	21170101502	Double Fan Radiator	1	5,2
21	17012050020	Water Inlet Pipe	1	0,316

	22	17012070000	Clamp $\phi 20-\phi 32$	8	0,016
	23	01224060251	Hex Flange Bolt M6X25	2	0,01
	24	01254060166	Hex Flange Bolt M6x16	10	0,007

16. DIAGRAM 2024 AODES ELECTRICAL PARTS F16


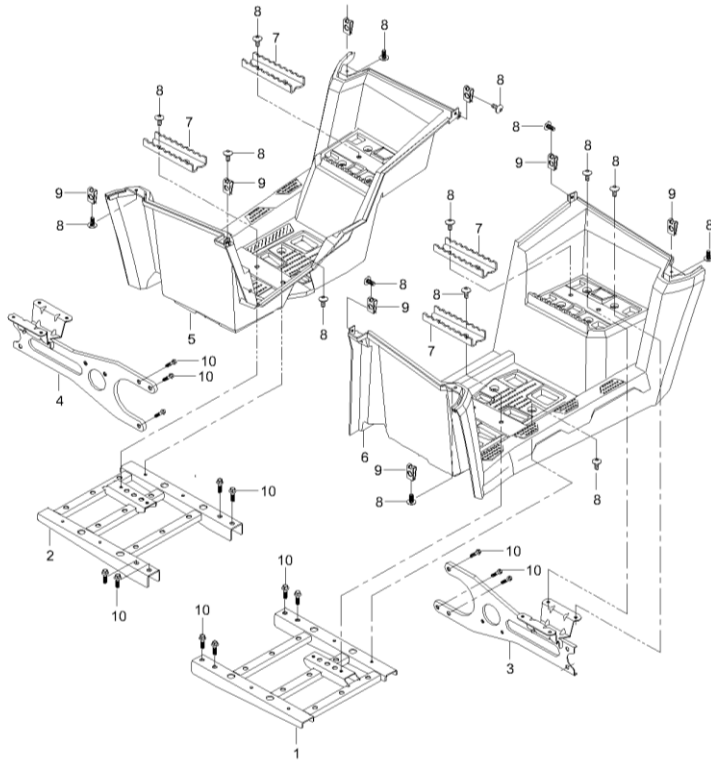
ITEM #	CODE	ENGLISH NAME	QTY	WEIGHTS (kg)
1	17309020040	Wire Harness	1	2,038
2	17309410000	Engine Wire Harness	1	0,533
3	17014150341	Winch Relay And Wire Assy	1	1,002
4	17009520000	Winch Protector	1	0,008
5	10914150010	Winch Controller Box Cap	1	0,026
6	01254060166	Hex Flange Bolt M6x16	11	0,007
7	17009040000	Ignition Switch (Without The Steering Wheel Switch)	1	0,010
8	14709300010	Usb Socket	1	0,061
9	13609300000	Power Socket	1	0,09
10	21170103504	Voltage Regulator (Regular)	1	0,492
11	17009350000	Starter Relay	1	0,198
12	17009090000	Battery	1	6,264
13	21051100103	ECU (Delphi)	1	0,124
14	17009370011	Gear Controller	1	0,235
15	16109100000	Horn(Usa 1000Cc/800Cc/600Cc)	1	0,239
15	17309100000	Horn,E9-006692	1	0,239
16	21040400201	Ignition Coil	2	0,132
17	01214060356	Hex Flange Bolt M6x35	1	0,012
18	21170102402	Spark Plug Cable L=150mm	2	0,036
19	17009160192	Display	1	0,502
20	03414060164	Inner Hexalobular Socket Pan Head Screws M6X16	2	0,007

	21	90103040030	Nylon Cable Ties W8X250mm	20	0,002
	22	17009010090	Battery Cathode	1	0,1
	23	17009010100	Earth Wire	1	0,14
	24	17309010180	Starter Relay Connection Cable	1	0,011
	25	10109380010	Wire Harness Mounting Clamp 1 ϕ 14	1	0,017
	26	04612060026	Hex Flange Locking Nut M6	1	0,004
	27	17009010310	Starter Relay Bracket	1	0,058
	28	17309010160	Fuse Box Bracket,Driver Side	1	0.05
	29	17309010170	Fuse Box Bracket,Passenger Side	1	0.05

17. DIAGRAM 2024 AODES FRONT PLASTIC F17


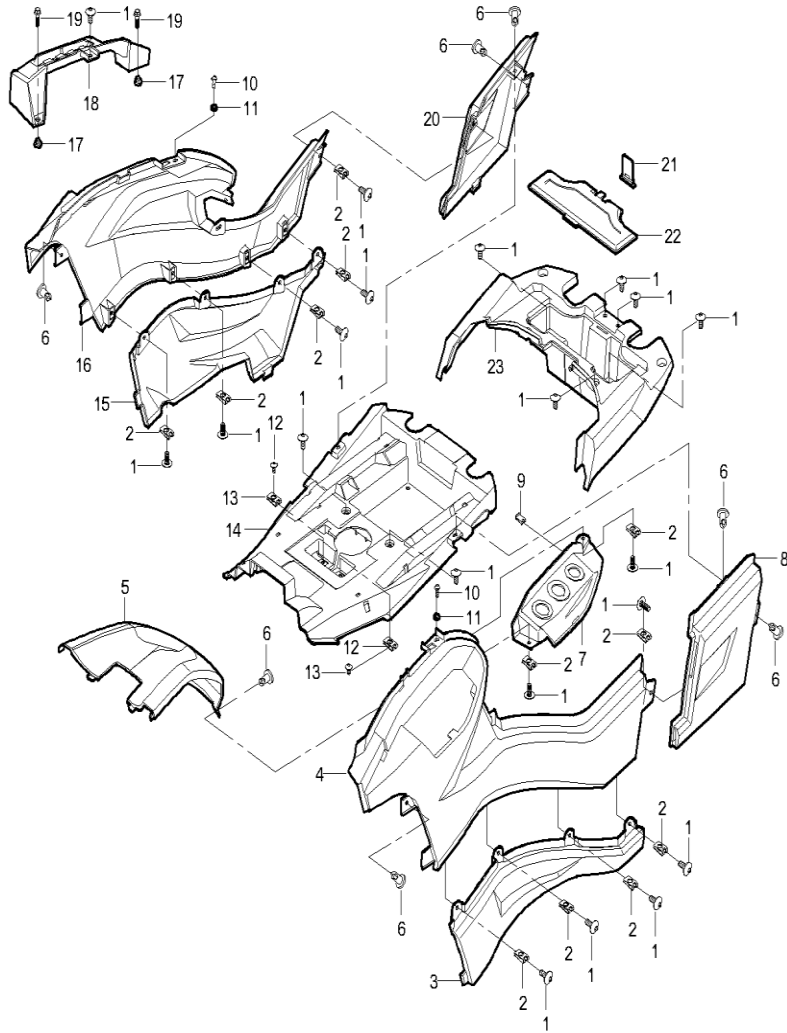
ITEM #	CODE	ENGLISH NAME	QTY	WEIGHTS (kg)
1	03414060164	Inner Hexalobular Socket Pan Head Screws M6X16	29	0,006
2	04922060025	Plate Nut (Long) M6	21	0,002
3	03714420165	Tapping Screws St4.2x16	15	0,002
4	10410190000	Push Pin M8X15	7	0,002
5	17313040680	Logo(Odes)	1	0,03
5	17313040690	Logo(Odes) Base	1	0,026
6	17010030030	Odes Logo Mounting Board	3	0,002
7	17010330010	Left Wind Guiding Board	1	0,134
8	17010720000	Winch Protective Cover	1	0,72
9	17010330020	Right Wind Guiding Board	1	0,134
10	17010160000	Front Panel	1	1,01
11	17009060020	Led Headlight,High Beam,Passenger Side	1	0,397
12	17009060040	Led Headlight,Low Beam,Passenger Side	1	0,327
13	17009060010	Led Headlight,High Beam,Driver Side	1	0,397
14	17009060030	Led Headlight,Low Beam,Driver Side	1	0,327
15	17010201530	Front Plastic (Black)	1	3,32
15	17010203140	Front Plastic(Titanium Gray)	1	3,32
15	17010202790	Front Plastic (Tiue Timber)	1	3,32
15	17010202770	Front Plastic (Red With Flake)	1	3,32
15	17010203180	Front Plastic (Metallic Blue)	1	3,32
16	17010330040	Right Fender	1	0,534

	17	17010330030	Left Fender	1	0,51
	18	17009160210	Dash Cover	1	0,577
	19	17010680000	Front Fender, Passenger Side	1	0,183
	20	17010690000	Decoration Cover Board	1	0,06
	21	16108150080	Hood Rubber Washer	1	0,005
	22	06219162205	Washer $\phi 16 \times \phi 22 \times 2$	1	0,002
	23	16110260130	Rotation Switch	1	0,015
	24	17014110300	Flower Clip $\phi 5$	8	0,001
	25	17010670000	Front Fender, Driver Side	1	0,183
	26	16110750001	Buckle	10	0,002
	27	13609180090	Reflector ,Yellow	2	0,004
	28	04412050025	Hex Flange Nut M5	2	0,004
	29	17007010780	Clip M6	2	0,005

18. DIAGRAM 2024 AODES FOOT PEDAL F18


ITEM #	CODE	ENGLISH NAME	QTY	WEIGHTS (kg)
1	17008160000	Foot Plate Bracket, Driver Side	1	2,22
2	17008170000	Foot Plate Bracket, Passenger Side	1	2,22
3	17008160050	Foot Plate Rear Left Mounting Bracket	1	1
4	17008160060	Foot Plate Rear Right Mounting Bracket	1	1
5	17010080020	Foot Plate (Long Model),Passenger Side	1	1,995
6	17010080010	Foot Plate(Long Model),Driver Side	1	1,995
7	17000942000	Foot Plate	4	0,21
8	03414060164	Inner Hexalobular Socket Pan Head Screws M6X16	32	0,007
9	04922060025	Plate Nut (Long) M6	8	0,002
10	01256100206	Hex Flange Bolt M10x20x1.25	14	0,022

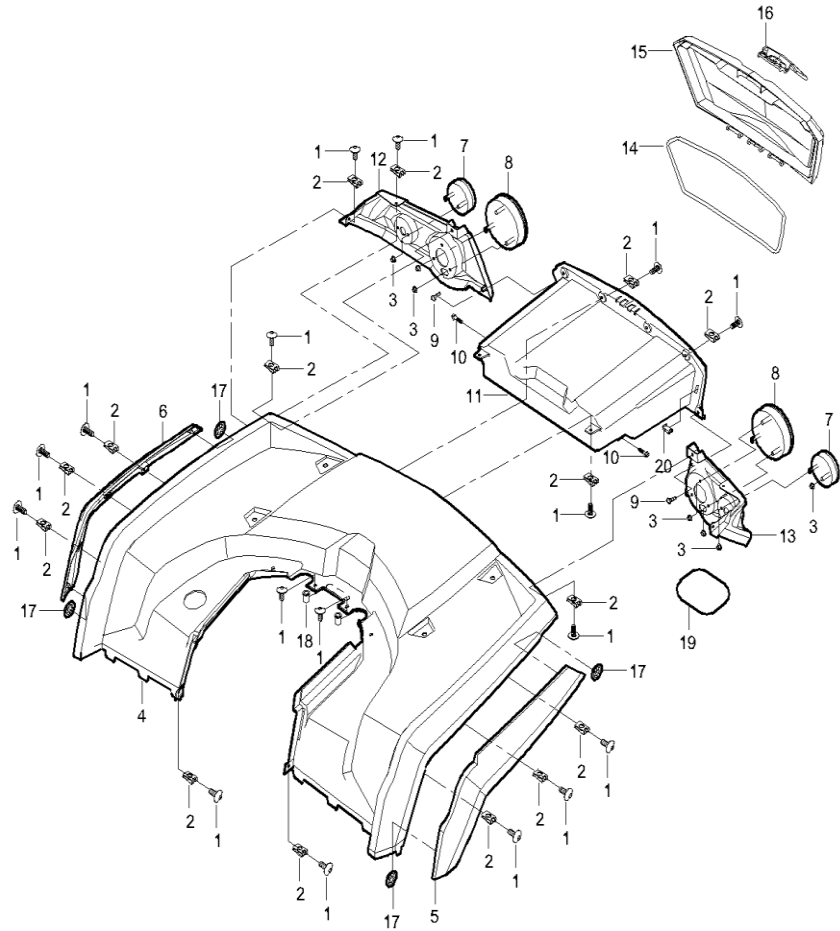
19. DIAGRAM 2024 AODES SIDEBORD COMBINATION F19



ITEM #	CODE	ENGLISH NAME	QTY	WEIGHTS (kg)
1	03414060124	Inner Hexagonalobular Socket Pan Head Screw M6x12 (Black)	24	0,006
2	04922060025	Plate Nut (Long) M6	12	0,002
3	17010202810	Left Side Board(2)	1	0,209
4	17010202870	Left Side Board 1(True Timber)	1	0,738
4	17010203060	Left Side Board 1(Black)	1	0,738
4	17010203160	Left Side Board 1(Titanium Gray)	1	0,738
4	17010203080	Left Side Board 1(Red With Flake)	1	0,738
4	17010203200	Driver Side Side Panel (1) (Metallic Blue)	1	0,738
5	17009160220	Dash Display Base	1	0,592
6	10410190000	Push Pin M8X15	12	0,002
7	17009010260	Electircal Mounting Board	1	0,01
8	17010202370	Left Side Board(3)	1	0,152
9	16110750001	Buckle	2	0,002
10	03714420165	Tapping Screws St4.2x16	2	0,002
11	06119040905	Washer $\phi 4 \times \phi 9 \times 1$	2	0,001
12	04922050024	Plate Nut M5	2	0,002
13	01224050125	Hex Flange Bolt M5X12	2	0,005
14	17009090130	Seat Saddle Lower Guard Board	1	0,764
15	17010202820	Right Side Board(2)	1	0,32
16	17010202880	Right Side Board 1(True Timber)	1	0,738
16	17010203070	Right Side Board 1(Black)	1	0,738

	16	17010203170	Right Side Board 1(Titanium Gray)	1	0,738
	16	17010203090	Right Side Board 1(Red With Flake)	1	0,738
	16	17010203210	Passenger Side Side Panel (1) (Metallic Blue)	1	0,738
	17	04522080026	Hex Flange Locking Nut M8	2	0,01
	18	17010360000	Hand Shifting Board(Atv1000 Only)	1	0,184
	19	01224080306	Hex Flange Bolt M8x30	2	0,019
	20	17010202410	Right Side Board(3)	1	0,152
	21	13610630071	Storage Box Rubber Strip	1	0,006
	22	17010280140	Seat Guard Board Top Cover	1	0,074
	23	17010280000	Seat Guard Board	1	0,532

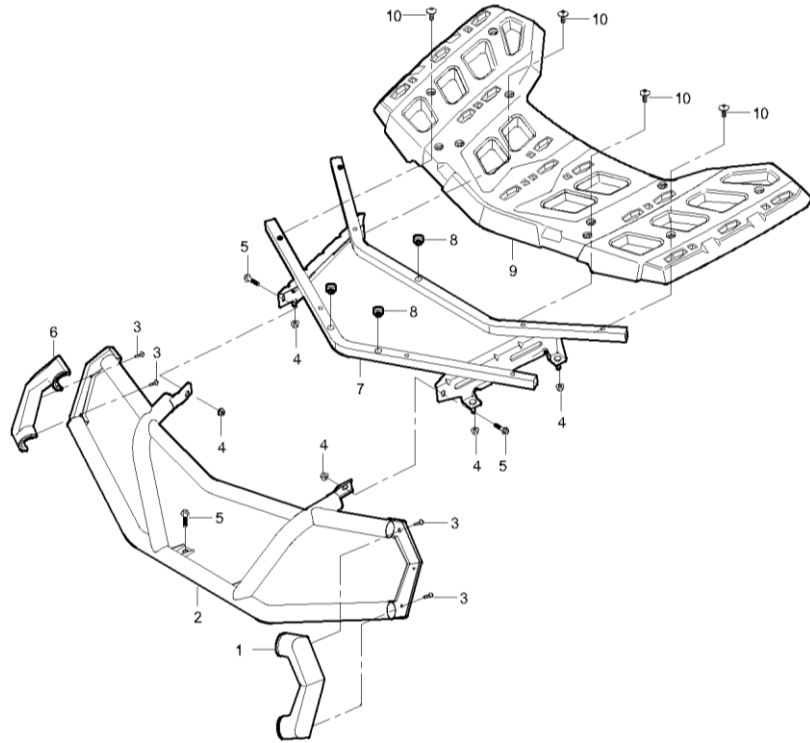
20. DIAGRAM 2024 AODES REAR PLASTIC F20



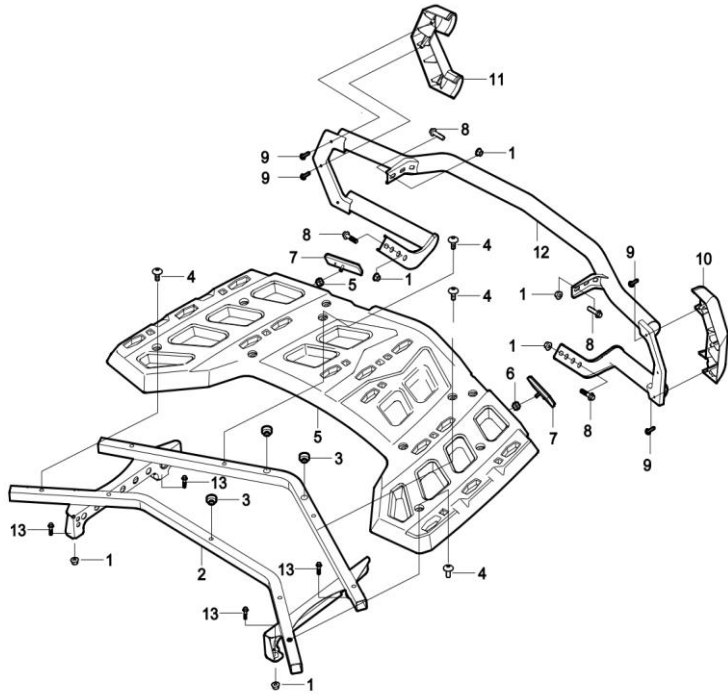
ITEM #	CODE	ENGLISH NAME	QTY	WEIGHTS (kg)
1	03414060124	Inner Hexagonalobular Socket Pan Head Screw M6x12 (Black)	20	0,006
2	04922060025	Plate Nut (Long) M6	20	0,003
3	04112060025	Hex Nut M6	10	0,004
4	17010203150	Rear Plastic(Titanium Gray)	1	3,373
4	17010200900	Rear Plastic (Black)	1	3,373
4	17010202860	Rear Plastic (True Timber)	1	3,373
4	17010202800	Rear Plastic (Red With Flake)	1	3,373
4	17010203190	Rear Plastic (Metallic Blue)	1	3,373
5	17010100000	Rear Fender, Driver Side	1	0,186
6	17010110000	Rear Fender, Passenger Side	1	0,186
7	17009400002	Rear Steering Light	2	0,06
8	17009070120	Taillight	2	0,21
8	17309070120	Taillight	2	0,21
9	03714420165	Tapping Screws St4.2x16	2	0,013
10	01254060166	Hex Flange Bolt M6x16	2	0,007
11	17010630010	Storage Box	1	1,435
12	17009070100	Tail Light Cover,Passenger Side	1	0,28
13	17009070090	Tail Light Cover,Driver Side	1	0,28
14	17010630030	Storage Box Sealing Strip	1	0,26
15	17010630020	Storage Box Cover	1	0,45
16	17010630170	Storage Box Handle Bar	1	0,061

	17	17014110300	Flower Clip ϕ 5	4	0,002
	18	04512060027	Rivet Nut M6	2	0,007
	19	17014130010	Heat Insulation Film	1	0,059
	20	16110750001	Buckle	2	0,002

21. DIAGRAM 2024 AODES FRONT RACKS&FRONT BUMPER F21

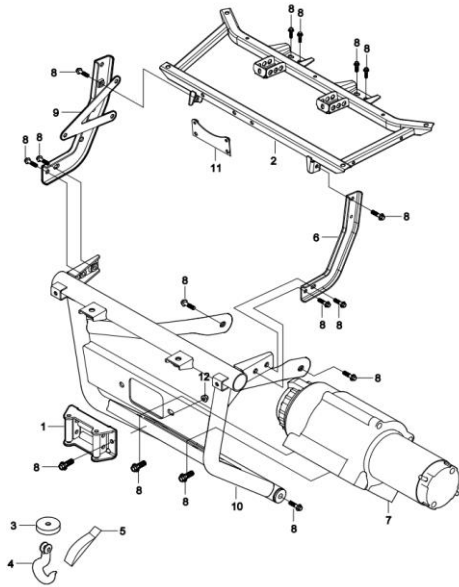


ITEM #	CODE	ENGLISH NAME	QTY	WEIGHTS (kg)
1	17010202980	Front Bumper Decoration Cover, Driver Side	1	0,081
2	17008110000	Front Bumper	1	5,1
2	17008110150	Front Bumper	1	5,1
2	17008110140	Front Bumper (Red With Flake)	1	4,8
3	03714350125	Tapping Screws St3.5X12	6	0,005
4	04612080026	Hex Flange Locking Nut M8	6	0,009
5	01224080206	Hex Flange Bolt M8x20	4	0,015
6	17010202990	Front Bumper Decoration Cover, Passenger Side	1	0,081
7	17008120000	Front Cargo Rack Assembly	1	3,420
8	10114090120	Seat Bottom Rubber Rubber, Outside	3	0,005
9	17010730000	Front Storage Cover Board	1	1,78
10	03414060164	Inner Hexalobular Socket Pan Head Screws M6X16	8	0,007

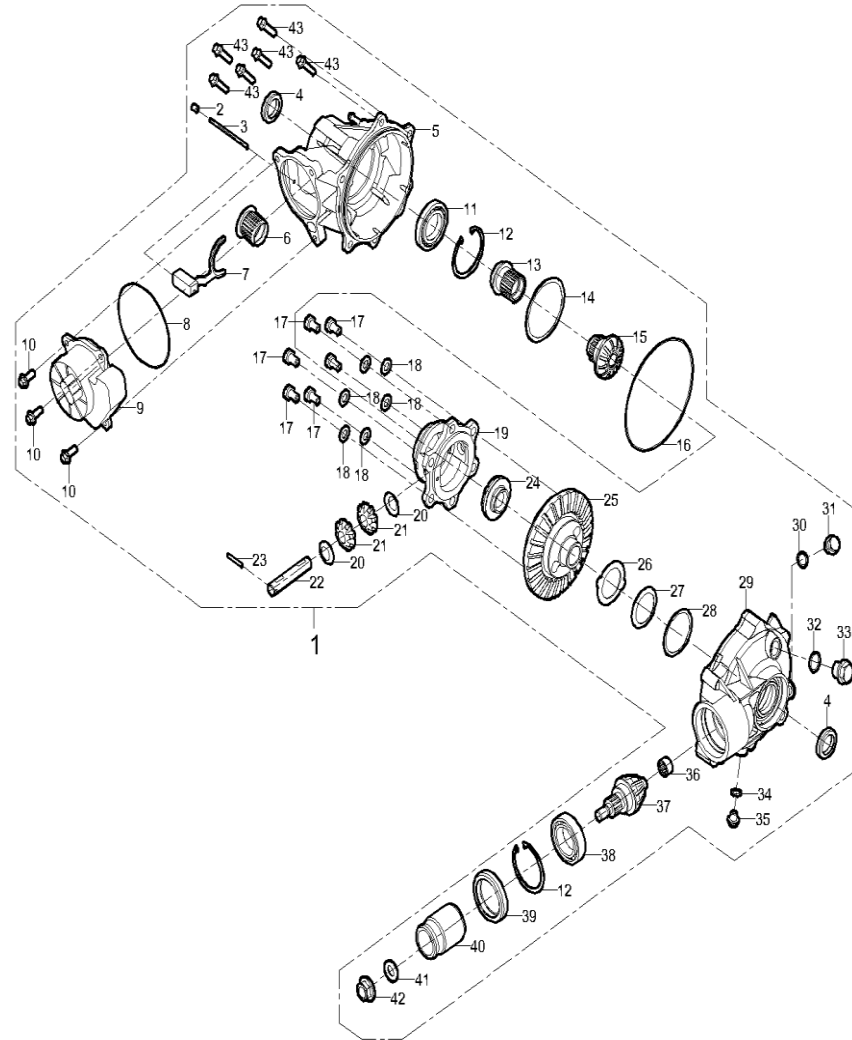
22. DIAGRAM 2024 AODES REAR RACKS&REAR BUMPER(EUROPE) F22


ITEM #	CODE	ENGLISH NAME	QTY	WEIGHTS (kg)
1	04612080026	Hex Flange Locking Nut M8	4	0,009
2	17008130000	Rear Cargo Rack Assambly	1	3,41
3	10114090120	Seat Bottom Rubber Rubber, Outside	3	0,005
4	03414060164	Inner Hexalobular Socket Pan Head Screws M6X16	8	0,007
5	17010730000	Front Storage Cover Board	1	1,78
6	04112050025	Hex Flange Nut M5	2	0,003
7	13609180080	Retroreflector (Red Rectangle)	2	0,023
8	01224080206	Hex Flange Bolt M8x20	4	0,018
9	03714350125	Tapping Screws St3.5X12	4	0,02
10	17010203000	Rear Bumper Decoration Cover , Driver Side	1	0,083
11	17010203010	Rear Bumper Decoration Cover , Passenger Side	1	0,083
12	17008350080	Rear Bumper	1	3,12
12	17008350100	Rear Bumper (Yellow)	1	3,12
13	01224080256	Hex Flange Bolt M8x25	2	0,012

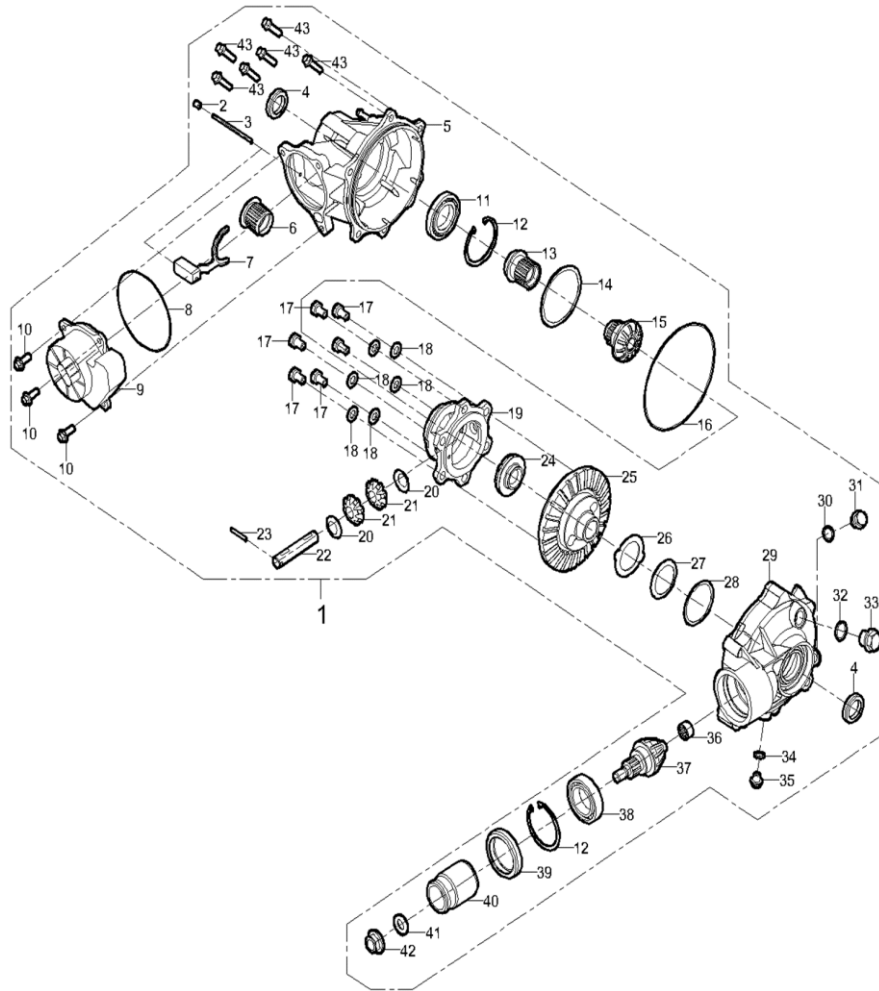
23.2 DIAGRAM 2024 AODES FRONT WINCH ASSY (WITH FRONT BUMPER) F23-2



ITEM #	CODE	ENGLISH NAME	QTY	WEIGHTS (kg)
1	10914150100	Winch Front Roller Bracket	1	0,6
2	17008110020	Front Bumper Lining	1	2,62
3	10914060100	Winch Protection Pad	1	0,06
4	10914150080	Hook	1	0,25
5	10914150090	Anchor Rope	1	0,01
6	17008120210	Front Storage Rack Lining Supports,Driver Side	1	0,41
7	10914150111	Front Winch Body, 3500Lbs (Nylon Wire)	1	5,863
8	01224080206	Hex Flange Bolt M8x20	20	0,41
9	17005270160	Front Storage Rack Lining Supports,Passenger Side	1	0,481
10	17308860000	Winch Bracket	1	3,58
11	17008120220	Winch Relay Mounting Board	1	0,09
12	04612080026	Hex Flange Locking Nut M8	2	0,009

25. DIAGRAM 2024 AOES FRONT DIFFERENTIAL F25


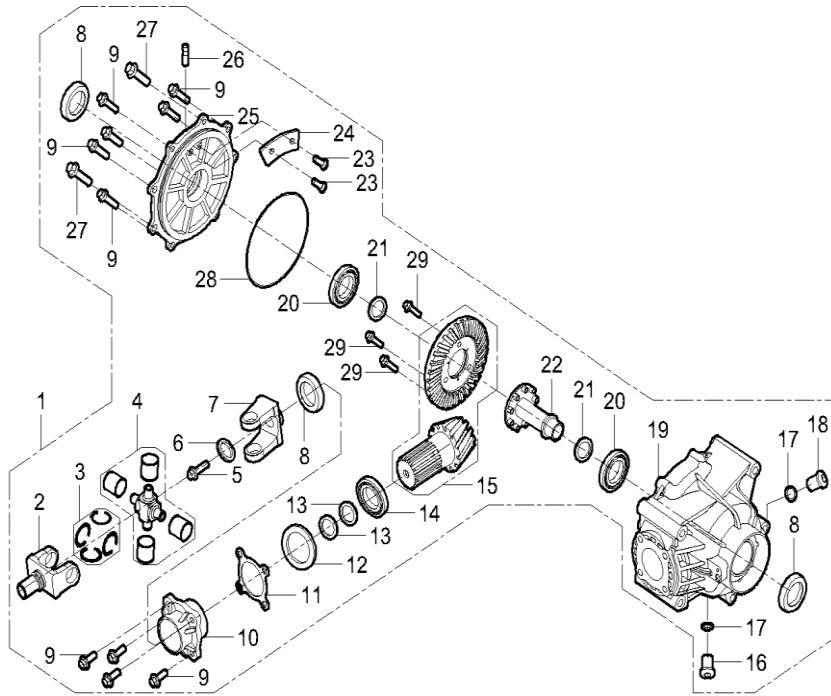
ITEM #	CODE	ENGLISH NAME	QTY	WEIGHTS (kg)
1	21120100031	Front Differential	1	8,185
2	21120102001	Hex Socket Screwed Plug M8x1.25x10	1	0,005
3	21120102301	Shifting Fork Shaft	1	0,027
4	11010243808	Oil Seal,Nak Tc9 24 38 8/12	2	0,023
5	21120101302	Front Differential Case 2	1	2,327
6	21120101801	Shifting Fork Spline Housing	1	0,332
7	21120103801	2/4 WD Shift Fork	1	0,082
8	21120105101	O Ring $\phi 79.6 \times 2$	1	0,009
9	21120102402	2WD/4WD Motor	1	0,491
10	01224080201	Hex Flange Bolt M8x20	3	0,027
11	09160061912	Ball Bearing 61912	1	0,427
12	07011620204	Stoper Clip $\phi 62$	2	0,023
13	21120101901	Spline Housing	1	0,350
14	21120101501	Spacer Shim, $\phi 84 \times \phi 73 \times 0.1$	1	0,005
14	21120101601	Spacer Shim, $\phi 84 \times \phi 73 \times 0.2$	1	0,005
14	21120101701	Spacer Shim, $\phi 84 \times \phi 73 \times 0.5$	1	0,009
15	21120101401	Gear, Long C.V. Shaft	1	0,555
16	21120101201	O-Ring $\phi 140 \times 2.65$	1	0,009
17	01114100181	Hex Bolt M10x1.25x18	6	0,041
18	21120102501	Washer $\phi 20 \times \phi 10.5 \times 2$	6	0,009
19	21120100801	Cover	1	1,759



20	21120100701	Spherical Gear Washer	2	0,009
21	21120100501	Star Gear	2	0,127
22	21120100601	Star Gear Shaft	1	0,245
23	21120103001	Spring Pin $\phi 4 \times 30$	1	0,005
24	21120100401	Gear, Short C.V. Shaft	1	0,391
25	21120100901	Driven Bevel Gear	1	3,364
26	21120100201	Washer $\phi 57 \times \phi 40 \times 1.5$	1	0,036
27	21120100301	Spring Washer	1	0,018
28	21120103201	Spacer Shim, $\phi 61.5 \times \phi 52 \times 0.1$	1	0,009
28	21120103301	Spacer Shim, $\phi 61.5 \times \phi 52 \times 0.15$	1	0,005
28	21120103401	Spacer Shim, $\phi 61.5 \times \phi 52 \times 0.5$	1	0,009
29	21120101101	Front Differential Case	1	2,282
30	21130101701	O Ring $\phi 13.2 \times 2.65$	1	0,009
31	21120104001	Oil Drag Bolt M14X.15X12	1	0,073
32	21120104201	O-Ring $\phi 19 \times 2.65$	1	0,009
33	21120103901	Injection Bolt M20x1.5x15	1	0,155
34	21120104501	Copper Washer $\phi 16 \times \phi 10.2 \times 1.2$	1	0,005
35	21120104401	Screw Plug M10x1.25x10	1	0,027
36	10030001512	Needle Bearing Hk1512	1	0,027
37	21120100101	Driving Bevel Gear, Front Diff	1	0,995
38	09160106007	Ball Bearing 6007	1	0,323
39	11010486512	Oil Seal, Nak 48 65 12 Gc	1	0,068

	40	21120105401	Front Differential Splined Hub	1	0,350
	41	21120104801	O Ring ϕ 14X6.8	1	0,009
	42	21120102701	Hex Flange Locking Nut M14x1.5	1	0,077
	43	01225080251	Hex Flange Bolt M8X25	6	0,014

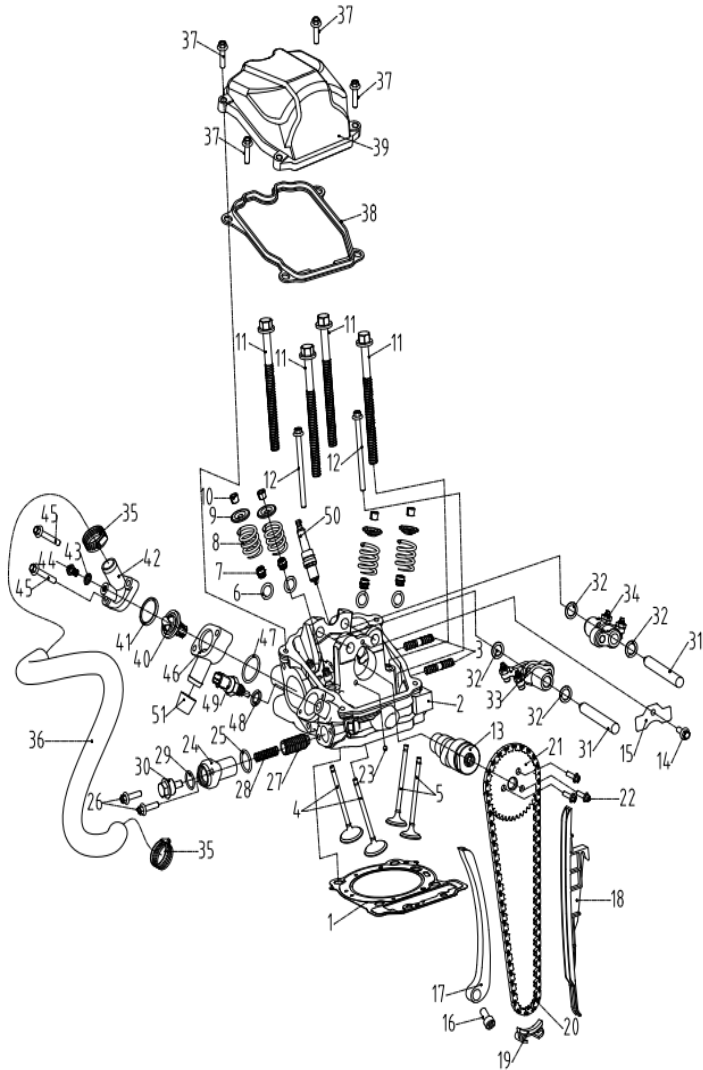
26. DIAGRAM 2024 AODES REAR DIFFERENTIAL F26



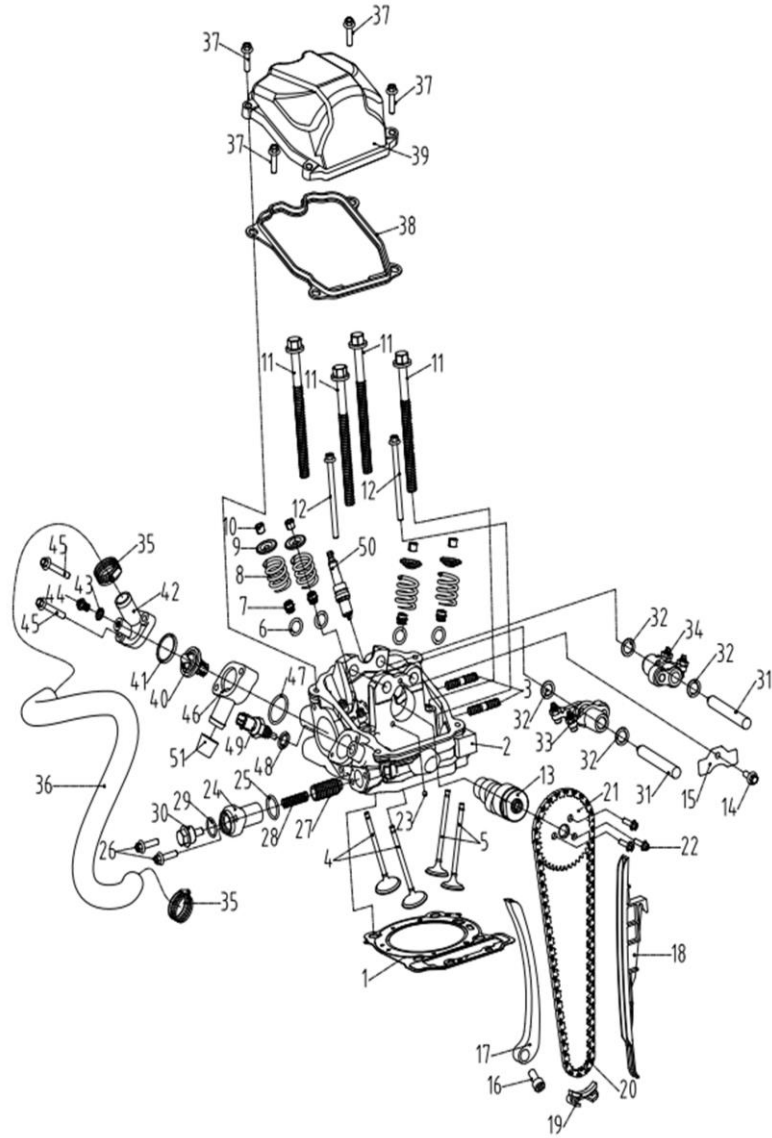
ITEM #	CODE	ENGLISH NAME	QTY	WEIGHTS (kg)
1	17003120100	Rear Reducer(Regular)	1	10,092
2	17003130130	Rear Joint Fork	1	0,436
3	07011250004	C-Clamp $\phi 25$	4	0,002
4	17003130120	Cross Fork Shaft (Assy)	2	1,200
5	01256100256	Hex Flange Bolt M10X25X1.25	1	0,030
6	06119112835	Washer $\phi 10.5 \times \phi 28 \times 3.5$	1	0,015
7	17003130110	Joint Fork	1	0,436
8	11010035507	Oil Seal $\phi 35 \times \phi 50 \times 7$	3	0,014
9	17003121010	Bolt	10	0,018
10	17003120830	Bearing Bracket	1	0,436
11	17003120840	Clearance Adjusting Washer	1	0,014
12	17003120850	O-Ring	1	0,009
13	17003120860	Adjusting Washer	2	0,014
14	17003120870	Tapered Roller Bearing	1	0,159
15	17003120880	Rear Driving Tapered Gear	1	0,564
	17003120890	Rear Driven Tapered Gear	1	2,555
16	17003121020	Magnetic Oil Draining Bolt 14X1.25X12	1	0,018
17	17003121030	Washer 14X21X1	2	0,036
18	17003121040	Bolt	1	0,018
19	17003120900	Rear Differential Housing	1	2,005
20	17003120910	Tapered Roller Bearing	2	0,159

	21	17003120920	Adjusting Washer	2	0,014
	22	17003120930	Mounting Base	1	0,436
	23	17003120940	Screw	2	0,014
	24	17003120950	Oil Deflector	1	0,041
	25	17003120960	Rear Differential End Cover	1	0,041
	26	17003120970	Vent Joint	1	0,014
	27	17003120980	Bolt 10X1.25X25	2	0,018
	28	17003120990	O-Ring Seal	1	0,009
	29	17003121000	Bot 10X1.25X22	8	0,018

	ITEM #	CODE	ENGLISH NAME	QTY	WEIGHTS (kg)
	1	41000409115	Engine Assembly 1000cc	1	85
	2	21050100011	Crankcase Assembly	1	45
	3	21050200002	Transmission Assembly	1	25

E01. DIAGRAM 2024 AODES FIRST CYLINDER HEAD ASSY E01


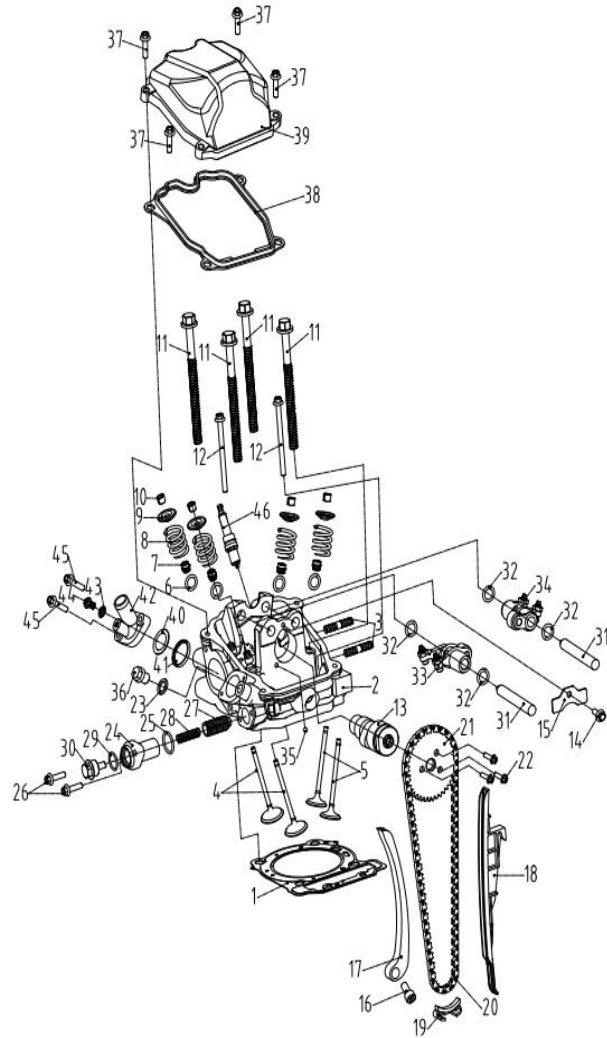
ITEM #	CODE	ENGLISH NAME	QTY	WEIGHTS (kg)
1	21040100102	Cylinder Head Gasket	1	0,045
2	21050100201	Cylinder Head	1	2,334
3	21040100501	Stud M8x45	2	0,015
4	21050100401	Intake Valve, 31mm	2	0,037
5	21050100501	Exhaust Valve, 365mm	2	0,040
6	21050100601	Thrust Washer 26x11x0.5	4	0,002
7	21050100701	Valve Oil Seal Φ 5.5x8	4	0,001
8	21050100801	Valve Spring	4	0,030
9	21050100901	Valve Spring Retainer	4	0,007
10	21050101001	Cotter Valve	8	0,001
11	21050101201	Bolt M10x159	4	0,100
11	21050101202	Bolt M10x159	4	0,100
12	01214061051	Hex Flange Bolt M6X105	2	0,020
13	21050101301	Camshaft	1	0,370
14	01224060161	Hex Flange Bolt M6X16	1	0,005
15	21040101601	Holding Guard	1	0,010
16	21040101701	Bearing Screw 6	1	0,011
17	21050102301	Chain Tension Guide	1	0,091
18	21050102401	Chain Guide	1	0,031
19	21040102001	Chain Guide	1	0,004
20	21050102601	Silent Chain 118	1	0,179



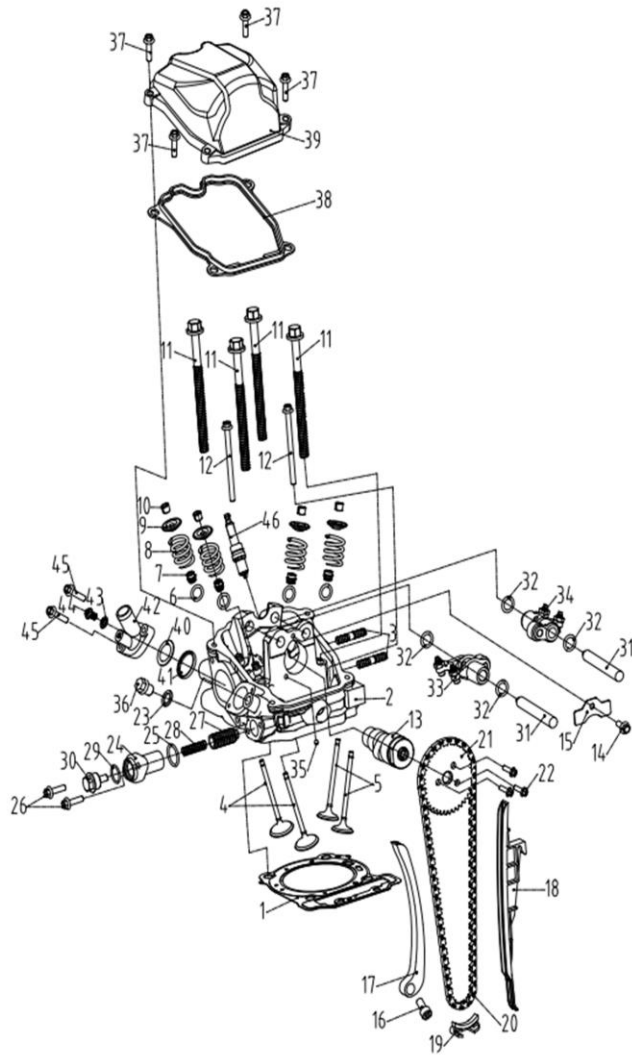
21	21050102701	Camshaft Sprocket, 42 Teeth	1	0,173
22	21050102801	Screw 6x12	3	0,004
23	21040100401	Steel Ball Sφ5.159	1	0,001
24	21040102401	Chain Tensioner Housing	1	0,021
25	21040102501	O-Ring φ21X2.5	1	0,001
26	01224060221	Hex Flange Bolt M6X22	2	0,006
27	21040102601	Chain Tensioner Plunger	1	0,009
28	21040102901	Spring	1	0,003
29	21040102701	O-Ring φ17x2	1	0,001
30	21040102801	Plug Screw	1	0,006
31	21050102001	Pin #12, Small	2	0,074
32	21040103201	Flat Washer φ12.4xφ18.6x0.5	4	0,001
33	21050101601	Rocker Arm Inlet	1	0,161
34	21050101701	Rocker Arm Exhaust	1	0,180
35	21040104902	Clamp φ 16-27	2	0,015
36	21040105001	Water Tube	1	0,128
37	01224060251	Hex Flange Bolt M6X25	4	0,007
38	21040103801	Valve Cover Gasket	1	0,036
39	21040103901	Valve Cover	1	0,326
40	21040104001	Thermostat	1	0,036
41	21040104201	Thermostat Gasket	1	0,001
42	21040104301	Thermostat Cover	1	0,042

	43	06150061201	Gasket Ring 6	1	0,001
	43	21040117001	Screw Washer	1	0,001
	44	21040104401	Bleeding Screw M6x10	1	0,002
	45	01214060451	Hex Flange Bolt M6X45	2	0,011
	46	21040104501	Connection Socket	1	0,055
	47	21040104601	O-Ring ϕ 27.8X2.6	1	0,001
	48	21040104701	Copper Washer ϕ 18X ϕ 12.4X2	1	0,002
	49	21040103001	Water Temperature Sensor	1	0,021
	50	21050103901	Spark Plug, Ngk Cpr8Ea-9	1	0,035
	51	21040104361	Housing Cap	1	0,002

E02. DIAGRAM 2024 AODES SECOND CYLINDER HEAD ASSY E02



ITEM #	CODE	ENGLISH NAME	QTY	WEIGHTS (kg)
1	21040100102	Cylinder Head Gasket	1	0,045
2	21050100201	Cylinder Head	1	2,334
3	21040100501	Stud M8x45	2	0,015
4	21050100401	Intake Valve, 31mm	2	0,037
5	21050100501	Exhaust Valve, 365mm	2	0,040
6	21050100601	Thrust Washer 26x11x0.5	4	0,002
7	21050100701	Valve Oil Seal $\Phi 5.5 \times 8$	4	0,001
8	21050100801	Valve Spring	4	0,030
9	21050100901	Valve Spring Retainer	4	0,007
10	21050101001	Cotter Valve	8	0,001
11	21050101201	Bolt M10x159	4	0,100
11	21050101202	Bolt M10x159	4	0,100
12	01214061051	Hex Flange Bolt M6X105	2	0,020
13	21050201301	Camshaft	1	0,373
14	01224060161	Hex Flange Bolt M6X16	1	0,005
15	21040101601	Holding Guard	1	0,010
16	21040101701	Bearing Screw 6	1	0,011
17	21050102301	Chain Tension Guide	1	0,091
18	21050102401	Chain Guide	1	0,031
19	21040102001	Chain Guide	1	0,004
20	21050102601	Silent Chain 118	1	0,179

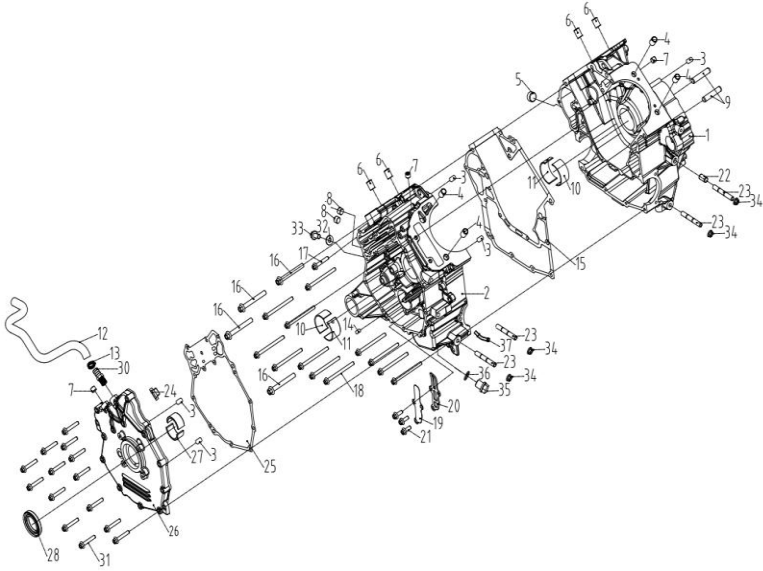


21	21050102701	Camshaft Sprocket, 42 Teeth	1	0,173
22	21050102801	Screw 6x12	3	0,004
23	21040104701	Copper Washer $\phi 18 \times \phi 12.4 \times 2$	1	0,002
24	21040102401	Chain Tensioner Housing	1	0,021
25	21040102501	O-Ring $\phi 21 \times 2.5$	1	0,001
26	01224060221	Hex Flange Bolt M6X22	2	0,006
27	21040102601	Chain Tensioner Plunger	1	0,009
28	21040102901	Spring	1	0,003
29	21040102701	O-Ring $\phi 17 \times 2$	1	0,001
30	21040102801	Plug Screw	1	0,006
31	21050102001	Pin #12, Small	2	0,074
32	21040103201	Flat Washer $\phi 12.4 \times \phi 18.6 \times 0.5$	4	0,001
33	21050101601	Rocker Arm Inlet	1	0,161
34	21050101701	Rocker Arm Exhaust	1	0,180
35	21040100401	Steel Ball S $\phi 5.159$	1	0,001
37	01224060251	Hex Flange Bolt M6X25	4	0,007
36	21040104801	Plug Screw M12x1.5	1	0,020
38	21040103801	Valve Cover Gasket	1	0,036
39	21040103901	Valve Cover	1	0,326
40	21040104101	Spacer Assembly $\phi 30 \times \phi 20.5 \times 1$	1	0,001
41	21040104201	Thermostat Gasket	1	0,001
42	21040104301	Thermostat Cover	1	0,042

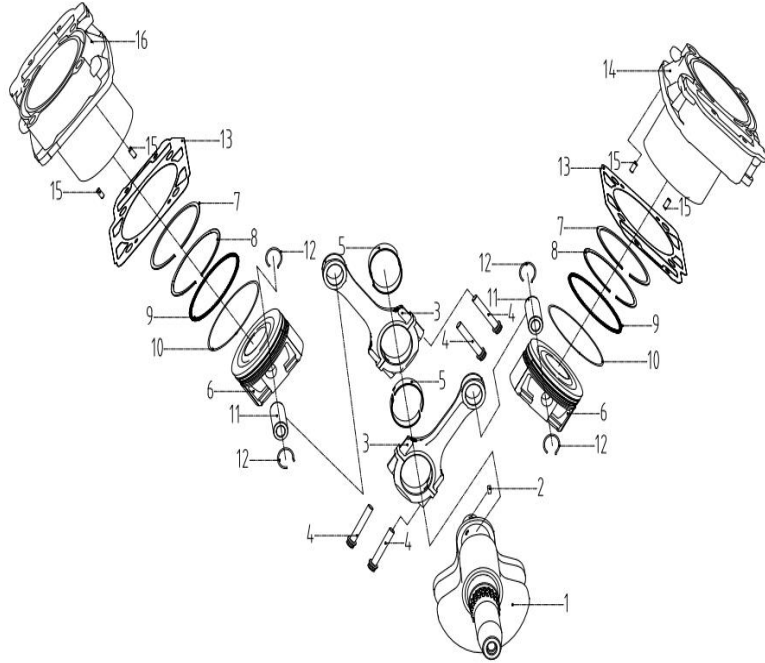
	43	06150061201	Gasket Ring 6	1	0,001
	43	21040117001	Screw Washer	1	0,001
	44	21040104401	Bleeding Screw M6x10	1	0,002
	45	01224060251	Hex Flange Bolt M6X25	2	0,007
	46	21050103901	Spark Plug, Ngk Cpr8Ea-9	1	0,035

E03. DIAGRAM 2024 AODES CRANKCASE E03

ITEM #	CODE	ENGLISH NAME	QTY	WEIGHTS (kg)
1	21050300102	Right Crankcase	1	4,650
2	21050300201	Left Crankcase	1	4,800
3	21040105401	Center Pin $\phi 8 \times 12$	5	0,004
4	21040105502	Drive Pin $\phi 5 \times 11$	4	0,002
5	21040105601	Plug Screw Npt 1/8	1	0,020
6	90101120650	Insert Pin M10*1.5-17K	8	0,002
7	21040105701	Plug Screw Npt 1/8	3	0,004
8	21040105801	Plug Screw Npt 1/4	2	0,008
9	21040105901	Location Pin	3	0,030
10	21040106001	Plain Bearing	2	0,025
10	21040106002	Plain Bearing	2	0,025
11	21040106101	Plain Bearing	2	0,025
11	21040106102	Plain Bearing	2	0,025
12	21170102101	Crankcase Off-Gas Line (Left Case)	1	0,200
13	21040403801	Clamp $\phi 10-16$	1	0,005
14	21040106301	Needle Pin 6×10	1	0,005
15	21050301601	Gasket	1	0,014
16	01214080651	Hex Flange Bolt M8x65	4	0,025
17	01224060251	Hex Flange Bolt M6X25	2	0,007
18	01214060751	Hex Flange Bolt M6X75	13	0,015
19	21040106501	Valve Plate	1	0,001

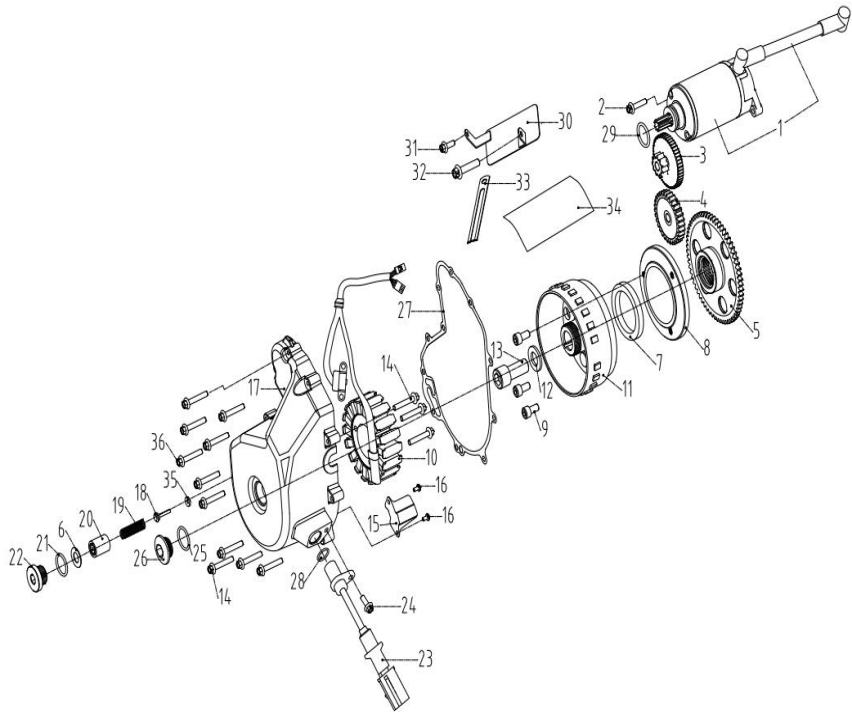


	19	21040106502	Valve Plate	1	0,001
	20	21040106601	Reed Valve Stop	1	0,019
	21	01224060161	Hex Flange Bolt M6X16	3	0,005
	22	21040116001	Dowel Pin ϕ 10x16	1	0,003
	23	21050301301	Stud M8x69	4	0,022
	24	21050302411	Slip Insert	1	0,014
	25	21040106901	Gasket	1	0,008
	26	21050302400	Left Cover	1	0,949
	27	21040107101	Bearing Sleeve	2	0,015
	27	21040107102	Bearing Sleeve	2	0,015
	28	21040107301	Oil Seal 34x52x8	1	0,021
	30	21040107201	Hose Outlet Npt1/4	1	0,021
	31	01224060351	Hex Flange Bolt M6X35	14	0,009
	32	21040107401	Sealing Ring Φ 8	1	0,001
	33	01224080161	Hex Flange Bolt M8X16	1	0,011
	34	04112080021	Hex Flange Nut M8	4	0,002
	35	21050600202	Drain Plug 18x15	1	0,033
	36	21050600101	O-Ring Φ 24x Φ 18x1	1	0,002
	37	21050301211	Insert Pin	1	0,006

E04. DIAGRAM 2024 AODES CRANSHAFT&PIOSTON& CYLINDER E04


ITEM #	CODE	ENGLISH NAME	QTY	WEIGHTS (kg)
1	21050400101	Crankshaft (1000Cc)	1	5,500
2	21040107701	Woodruff Key 4x5	1	0,001
3	21050400200	Connecting Rod Assembly	2	0,530
4	21050400231	Connecting Rod Screw 9x1/45	4	0,026
5	21050400501	Plain Bearing	4	0,015
5	21050400502	Plain Bearing	4	0,015
6	21050400600	Piston , 90.55 mm	2	0,337
7	21040108301	First Piston Ring	2	0,008
8	21040108401	Second Piston Ring	2	0,011
9	21040108501	Scraper Ring	4	0,002
10	21040108601	Oil Ring	2	0,003
11	21050400801	Piston Pin	2	0,101
12	21050400901	Piston Circlip	4	0,001
13	21040408901	Gasket	2	0,001
14	21050401101	Front Cylinder Body	1	2,240
14	21050401102	Front Cylinder Body	1	2,240
15	21040105502	Drive Pin $\phi 5 \times 11$	4	0,002
16	21050401201	Rear Cylinder Body	1	2,240
16	21050401202	Rear Cylinder Body	1	2,240

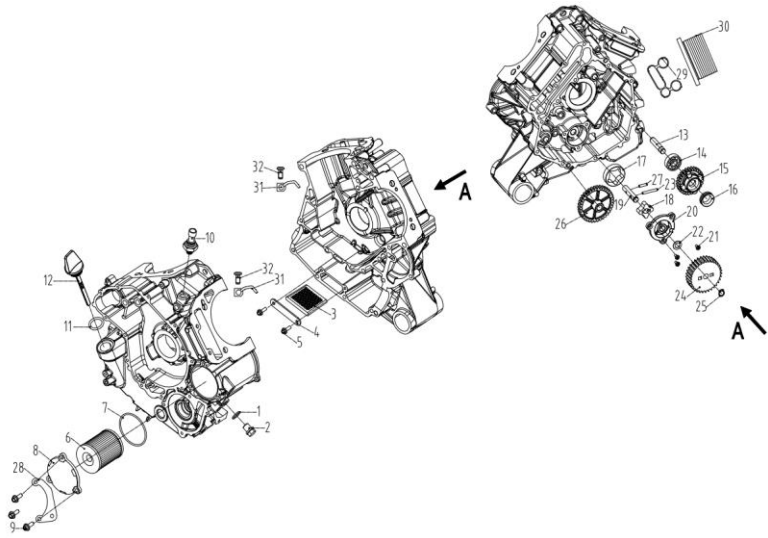
E05. DIAGRAM 2024 AODES MEGNETO&STARTER MOTOR E05



ITEM #	CODE	ENGLISH NAME	QTY	WEIGHTS (kg)
1	21170102703	Starter Assembly	1	2,094
2	02224080251	Hex Flange Bolt M8x25	1	0,014
3	21040109201	Double Gear 49T/11T	1	0,191
4	21040109301	Gear, 30 Teeth	1	0,156
5	21040109401	Free Wheel Gear, 64 Teeth	1	0,488
7	21040109501	Sprag Clutch	1	0,088
8	21040109601	Sprag Clutch Housing	1	0,477
9	03344080161	Hexagon Socket Bolt M8x16	3	0,012
10	21170103101	Stator Plate	1	1,200
11	21170103201	Flywheel	1	1,400
12	21040109901	Shim $\phi 30 \times \phi 16.5 \times 3$	1	0,011
13	03344160357	Hexagon Socket Bolt M16x35	1	0,085
14	01224060351	Hex Flange Bolt M6X35	14	0,009
15	21040110101	Cable Inner Cover	1	0,012
16	03113040081	Tap Screw M4x8	2	0,001
17	22040110202	Magneto Cover	1	1,169
18	21040110401	Pressure Relief Valve	1	0,005
19	21040110501	Compression Spring	1	0,002
20	21040110601	Housing Valve	1	0,008
21	21040500601	O-Ring $\phi 22.5 \times 2.7$	1	0,001
22	21040110801	Screw Plug M22X1.5	1	0,059

	23	21040110901	Crankshaft Position Sensor Assembly	1	0,058
	24	01224060161	Hex Flange Bolt M6X16	1	0,005
	25	21040111101	O-Ring,φ24X2.5	1	0,001
	26	21040111201	Screw Plug	1	0,007
	27	21040111301	Gasket	1	0,005
	28	21040111001	O-Ring φ16X2	1	0,001
	29	21040109118	O-Ring 23.8x3.1	1	0,001
	30	21051101501	Starter Shield	1	0,136
	31	01224060141	Hex Flange Bolt M6X14	1	0,005
	32	01224080161	Hex Flange Bolt M8X16	1	0,011
	33	21040402401	Wire Harness Mounting Board	1	0,011
	34	21040117501	Brake Cable-Heat Insulation Film (Thin)	1	0,001
	35	21040110301	Cushion	1	0,001
	36	01224060404	Hex Flange Bolt M6X40	1	0,001

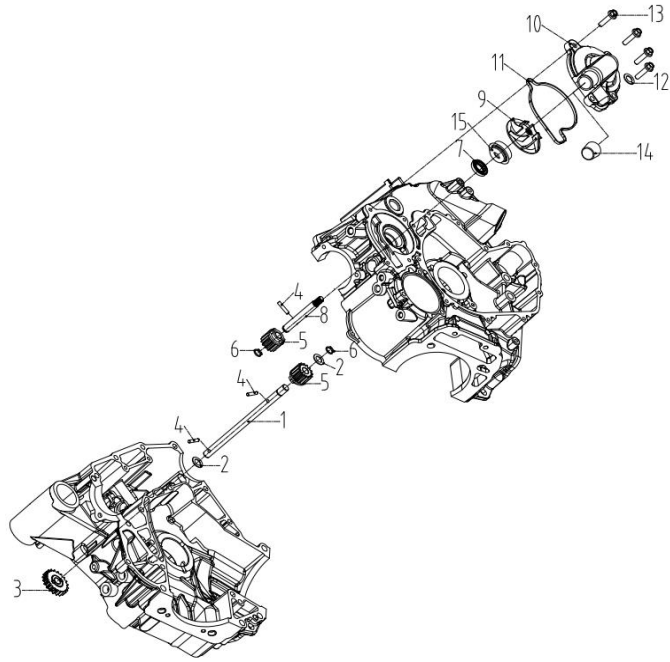
E06. DIAGRAM 2024 AODES ENGINE LUBRICATION E06



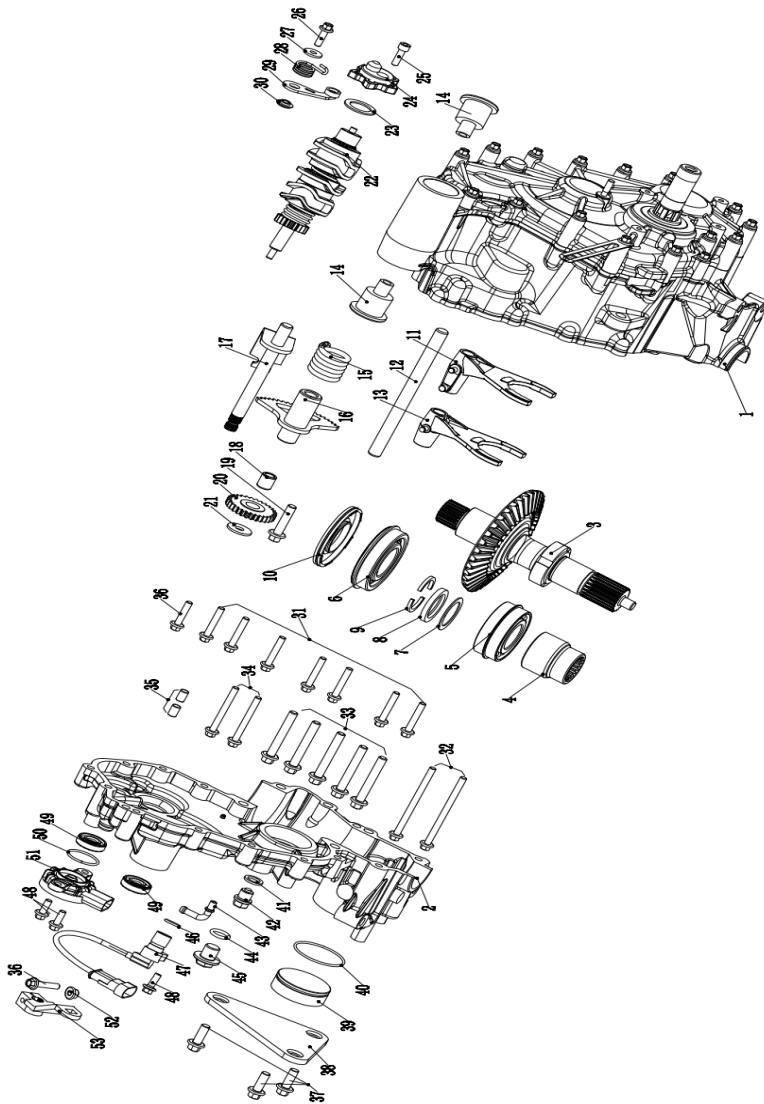
ITEM #	CODE	ENGLISH NAME	QTY	WEIGHTS (kg)
1	21040104701	Copper Washer $\phi 18 \times \phi 12.4 \times 2$	1	0,002
2	21040104801	Plug Screw M12x1.5	1	0,020
3	21040111401	Oil Filter	1	0,007
4	21050904801	Oil Filter Cover	1	0,017
5	01223050161	Hex Flange Bolt M5X16	2	0,004
6	21040111601	Oil Filter	1	0,063
7	21040116901	O-Ring $\phi 1.5 \times 2.65$	1	0,001
8	21040111801	Oil Filter Cover	1	0,085
9	01224060181	Hex Flange Bolt M6X18	3	0,007
10	21040111901	Oil Pressure Switch	1	0,031
11	21040112001	O-Ring, $\phi 22 \times 3.5$	2	0,001
12	21040112101	Oil Dipstick	1	0,023
13	21040516601	Bearing Pin	2	0,030
14	09360006200	Ball Bearing 6200-2 Rz	1	0,032
15	21050602212	Idle Gear 28 Teeth	1	0,020
16	21050602221	Oil Seal $\phi 15 \times 26 \times 7$	1	0,006
17	21040112501	Bolt	1	0,048
18	21040112601	Oil Pump Rotor	1	0,026
19	21040112801	Oil Pump Shaft	1	0,028
20	21040112901	Oil Pump Cover	1	0,042
21	03424050161	Screw M5x16	3	0,002

	22	21040113001	Thrust Washer,φ17Xφ10.2X1	1	0,001
	23	21040113101	Needle Pin,φ4X30	1	0,003
	24	21040113202	Oil Pump Gear, 33 Teeth	1	0,021
	25	07021101004	Snap Ring φ10	1	0,001
	26	21040113402	Idle Gear, 38T	1	0,033
	27	21040112701	Needle Pin φ4×16	1	0,002
	28	17012050060	Water Outlet Mounting Board	1	0,020
	29	21050601101	Oil Seal	1	0,002
	30	21050601201	Oil Radiator	1	0,245
	31	21050603501	Oil Nozzle	2	0,008
	32	21050603601	Oil Nozzle Clip	2	0,008

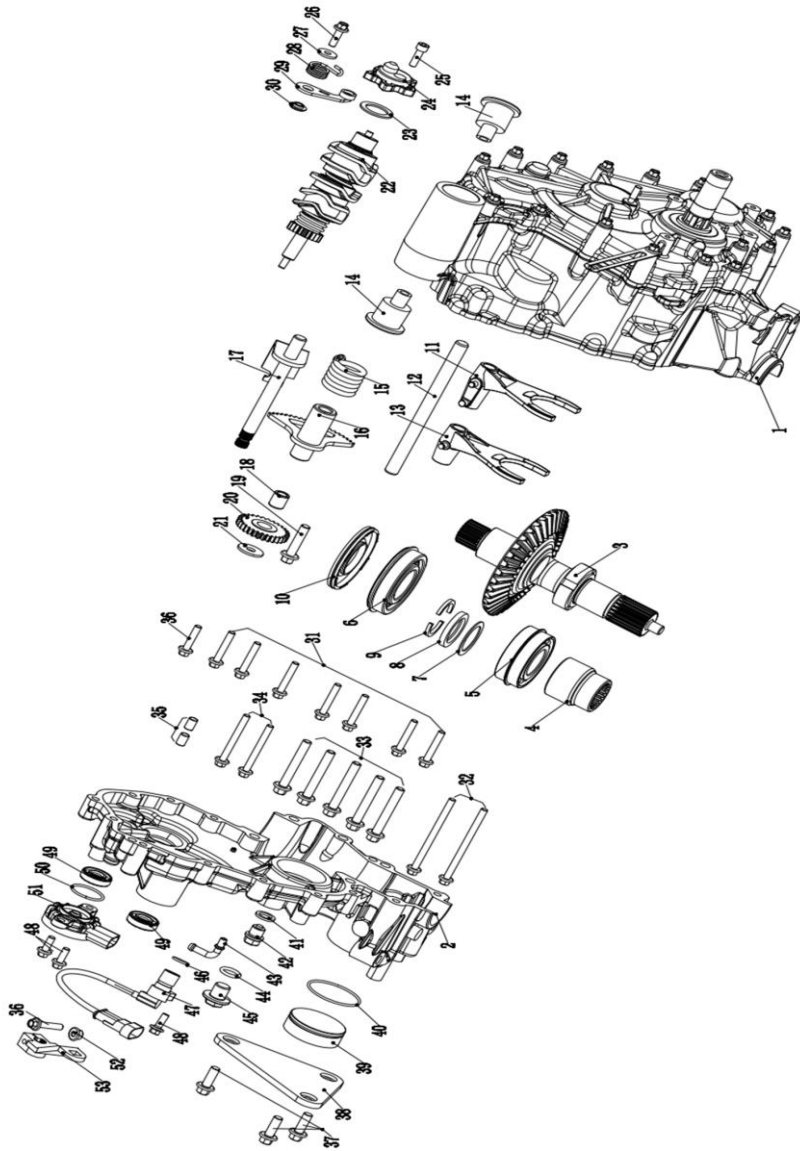
E07. DIAGRAM 2024 AODES ENGINE COOLING E07



ITEM #	CODE	ENGLISH NAME	QTY	WEIGHTS (kg)
1	21040113501	Intermediate Shaft	1	0,099
2	21040113001	Thrust Washer, $\phi 17 \times \phi 10.2 \times 1$	2	0,001
3	21040113602	Water Pump Gear Z=20	1	0,009
4	21040113701	Needle Pin $\phi 4 \times 20$	3	0,002
5	21040113802	Pump Gear, 15 Teeth	2	0,009
6	07021101004	Snap Ring $\phi 10$	2	0,001
7	21040106201	Oil Seal $\phi 10 \times \phi 25 \times 5$	1	0,004
8	21040114001	Water Pump Shaft	1	0,044
9	21040114102	Water Impeller	1	0,020
10	21040114201	Water Pump Housing	1	0,183
11	21040114301	Gasket	1	0,001
12	06150061201	Gasket Ring 6	1	0,001
13	01224060251	Hex Flange Bolt M6X25	4	0,007
14	21040114211	Water Pump Housing Rubber Cap	1	0,001
15	21040113901	Rotary Seal	1	0,018

E08. DIAGRAM 2024 AODES GEAR BOX 1 E08


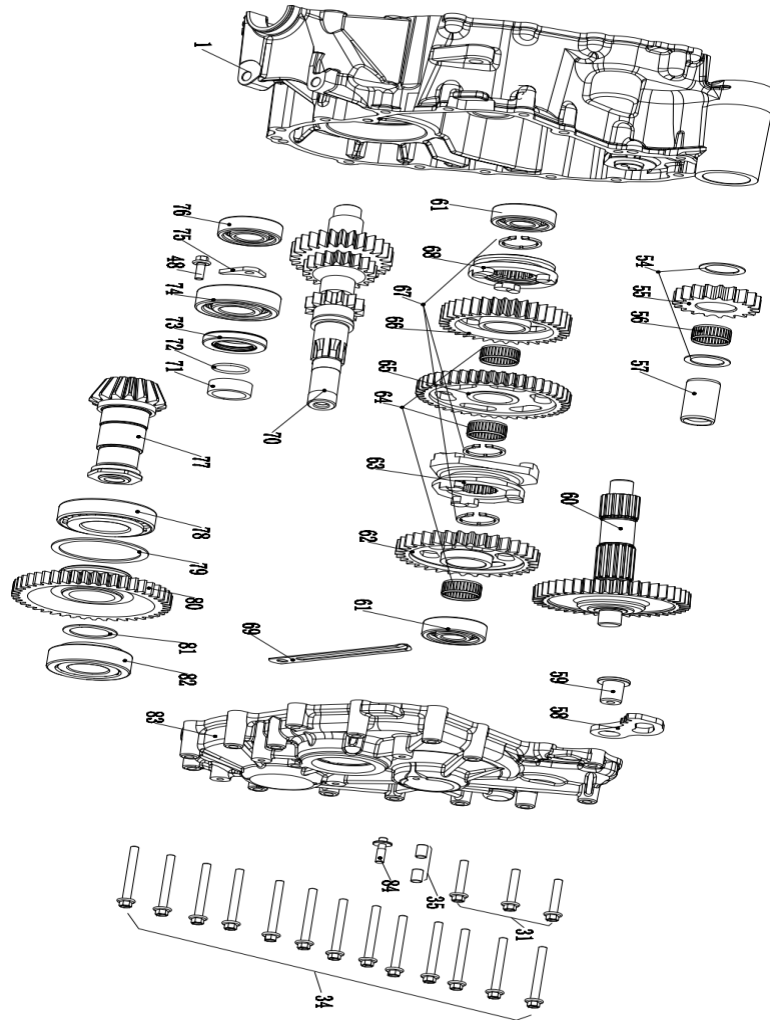
ITEM #	CODE	ENGLISH NAME	QTY	WEIGHTS (kg)
1	21050900112	Gear housing	1	3,25
2	21050900122	Gear Housing Right cover	1	1,7
3	21050902602	Drive axle set	1	2,35
4	21040202101	Shifting sleeve kit	1	0,246
5	21050902801	Ball bearing 6207N/C3	1	0,302
6	21050902501	Ball bearing SKF BA2-7353	1	0,304
7	21050902900	Shim Set.	1	0,01
	21050902901	Shim Set.		0,002
	21050902903	Shim Set.		0,01
8	21050903001	Angular ring	1	0,019
9	21050903101	Half location ring	2	0,003
11	21050909201	Shift fork	1	0,181
12	21050909101	Fork spindle	1	0,141
13	21050909001	Shift fork	1	0,164
14	21040206301	Anti-vibration mount	4	0,066
15	21140204701	Spring	1	0,096
16	21050901031	Tooth segment	1	0,177
17	21050901011	Shift shaft	1	0,183
18	21050900131	Dowel pin	1	0,01
19	01224080351	Hex Flange Bolt 8x35	1	0,018
20	21050900901	Intermediate gear, 30 teeth	1	0,069



21	21050900801	Plain washer 24x8.3x2	1	0,006
22	21050901300	Shift drum assembly	1	0,848
	21050902001	Thrust washer 31x21.3x1.6		0,005
	21050902101	Index washer		0,1
25	03344060203	Allen screw 6x20	1	0,006
26	01314060203	Hex screw 6x20	1	0,007
27	21040203601	Washer	1	0,004
28	21040203301	Index spring	1	0,008
29	21050909401	Index lever	1	0,018
30	21040203401	Step ring	1	0,003
31	01224060351	Hex Flange Bolt 6x35	11	0,009
32	01214060851	Hex Flange Bolt 6x85	2	0,017
33	01214080551	Hex Flange Bolt 8x55	5	0,022
34	01224060553	Hex Flange Bolt 6x55	15	0,013
35	21040105401	Center pin 8x12	4	0,004
36	01224060281	Hex Flange Bolt 6x28	2	0,008
37	01224080202	Flanged torx screw 8x20	3	0,018
38	21050909801	Gear box plate	1	0,34
39	21040202201	Gear box plug	1	0,109
40	21040115801	O-ring 47x2	1	0,001
41	21040104701	Copper washer 18x12.4x2	1	0,002
42	21050904701	Magnetic drain plug	1	0,019

	43	21050905901	Breathe pipe	1	0,006
	44	21050904401	O-ring 14x3	1	0,001
	45	21050904501	Plug screw 14x15	1	0,006
	46	21050904211	O-ring 13x1.9	1	0,001
	47	21050904201	Speed sensor	1	0,034
	48	01224060161	Hex Flange Bolt 6x16	4	0,005
	49	21040200701	Oil seal 12x28x7	2	0,008
	50	21050904011	O-ring 29x2	1	0,001
	51	21050904001	Angle rotation sensor	1	0,035
	52	04633060023	Hex Flanged elastic nut 6	1	0,004
	53	21050909701	Gear shift lever	1	0,079

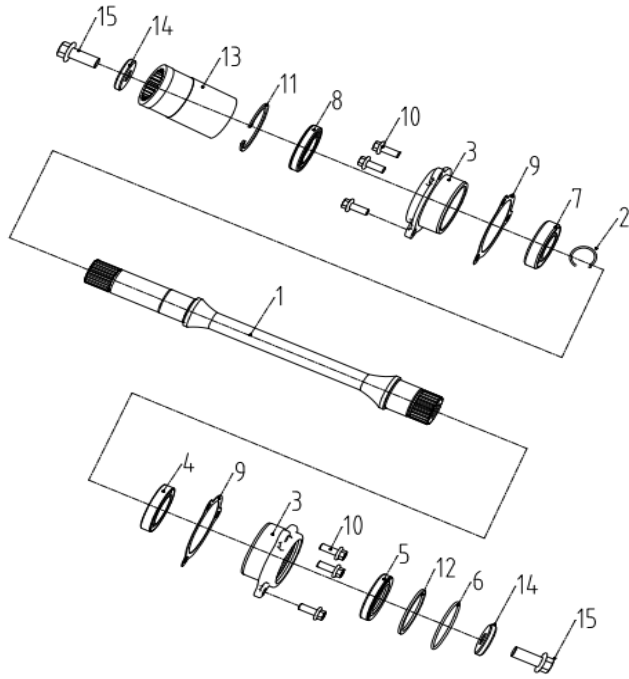
E09. DIAGRAM 2024 AODES GEAR BOX 2 E09



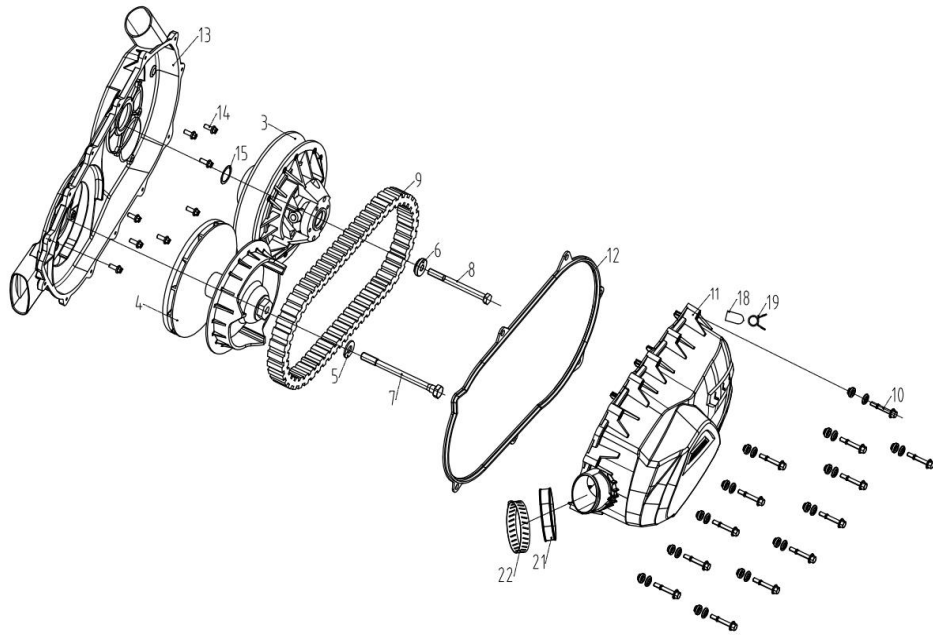
ITEM #	CODE	ENGLISH NAME	QTY	WEIGHTS (kg)
54	06224253404	Thrust Washer	2	0,003
55	21050908001	Intermediate gear, 19 teeth	1	0,199
56	10031252910	Bearing-needle K252910	1	0,008
57	21050907701	Intermediate gear shaft 25x18x41	1	0,073
58	21050906201	Parking lock lever	1	0,055
59	21050906301	Collar sleeve	1	0,021
60	21050908101	Main shaft 44 teeth	1	1,171
61	09161006303	Ball bearing 6303e	2	0,111
62	21050908303	Gear pinion, 34 teeth	1	0,340909091
63	21050908503	Shifting sleeve	1	0,45
64	21050908201	Needle bearing 25x29x12.7	3	0,006
65	21050908603	Gear pinion, 44 teeth	1	0,454545455
	21050908703	Gear pinion, 36 teeth		0,363636364
67	21050909601	Retaining ring 27	3	0,003
68	21050908803	Shifting sleeve	1	0,236363636
69	21040402401	Wire Harness Mounting Board	1	0,011
70	21050902301	Main Shaft	1	1,434
71	21040201601	Distance ring 32x25x11.4	1	0,026
72	21040201501	O-ring 24x2	1	0,001
73	21040201801	Oil seal 32x47x7	1	0,014
74	09160006305	Ball bearing 6305	1	0,227

	75	21040203001	Bearing Set Plate	1	0,01
	76	09160106204	Ball bearing 6204	1	0,106
	77	21050907301	Gear	1	0,708
	78	21050907321	Ball bearing 30207	1	0,348
	79	21050907401	Shim set 60.3x71.7x1.35	1	0,01
	80	21050907331	Gear 45T	1	0,87
	81	21050902903	ADJUST WASHER	1	0,01
		21050902904	ADJUST WASHER	1	0,002
	82	21050907501	Roller bearing	1	0,307
	83	21050906111	Gear Housing Left cover	1	1,2
	84	21050906701	Distance screw 6	1	0,005

E10. DIAGRAM 2024 AODES DRIVE SHAFT E10

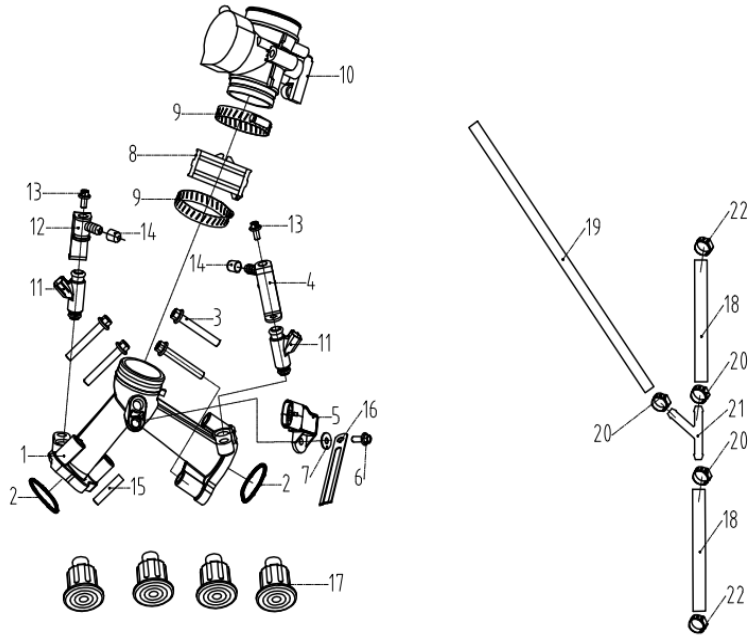


ITEM #	CODE	ENGLISH NAME	QTY	WEIGHTS (kg)
1	21051000101	Drive Shaft	1	1,038
2	21040206101	Drive Shaft Check Ring	1	0,001
3	21040115501	Bearing Base	2	0,074
4	09160061906	Ball Bearing 6906	1	0,050
5	21040115701	Oil Seal $\phi 30 \times \phi 47 \times 7$	1	0,012
6	21040115801	O-Ring $\phi 47 \times 2$	1	0,001
7	09160006005	Ball Bearing 6005	1	0,079
8	21040116101	Oil Seal $\phi 25 \times \phi 47 \times 7$	1	0,015
9	21040116201	Gasket	2	0,001
10	01224060161	Hex Flange Bolt M6X16	6	0,005
11	07011470001	C-Clamp $\phi 47$	1	0,006
12	21040115901	Seal	1	0,001
13	21040117101	Transmission Transition Housing	1	0,223
14	060214291235	Washer $\phi 29.5 \times \phi 12.5 \times 3.5$	2	0,014
15	21051001501	Bolt M12X1.25x25	2	0,039

E11. DIAGRAM 2024 AODES CVT TRANSMISSION E11


ITEM #	CODE	ENGLISH NAME	QTY	WEIGHTS (kg)
3	21050805201	CVT Driven Pulley	1	3,159
3	21050821000	Secondary Wheel Assembly	1	3,150
4	21050805101	CVT Drive Pulley	1	3,786
4	21050811004	CVT Drive Pulley	1	3,870
5	060214291235	Washer $\phi 29.5 \times \phi 12.5 \times 3.5$	1	0,014
6	21040303501	Spacer Shim, $\phi 30.1 \times \phi 10.2 \times 8.5$	1	0,036
7	21040303702	CVT Drive Pulley Bolt M12x150	1	0,115
8	21040301902	Driven Wheel Bolt M10x115	1	0,077
9	21050831000	V-Belt	1	0,483
9	21050831001	V-Belt	1	0,483
10	21170101901	Hex Distance Screw M6X42.5	13	0,100
11	21050804302	Pulley Cover	1	0,639
12	21050800702	Pulley Cover Gasket	1	0,087
13	21050800102	CVT Deflector	1	0,930
14	01314060203	Hex Big Flange Bolt M6x20	9	0,007
15	21040303601	Spacer Shim, $\phi 32 \times \phi 25.1 \times 0.5$	1	0,001
18	21050804601	Drain Plug	1	0,001
19	21050804701	Drain Plug Clip	1	0,001
20	21051101201	Clamp $\phi 60-80$	1	0,022
21	21170102201	CVT Outlet Sealing Boot	1	0,077

E12. DIAGRAM 2024 AODES INTAKE MANFOLD&THROTTLE E12



ITEM #	CODE	ENGLISH NAME	QTY	WEIGHTS (kg)
1	21051100301	Air Intake Manifold	1	0,277
2	21040114501	Gasket	2	0,002
3	01214080551	Hex Flange Bolt M8x55	4	0,022
4	21170103001	Injection Valve Cap	1	0,055
5	21040114601	Pressure And Temp Sensor	1	0,026
6	01224060161	Hex Flange Bolt M6X16	1	0,005
7	06222061704	Washer φ6×17	1	0,002
8	21051400501	Intake Neck	1	0,237
9	21051101201	Clamp φ60-80	2	0,022
10	21051101302	Throttle Body	1	0,648
11	21040114901	Fuel Injector	2	0,033
12	21040115103	Injection Valve Cap	1	0,055
13	01224060121	Hex Flange Bolt M6X12	2	0,005
14	21040114911	Fuel Injector Cap	2	0,001
15	21051100311	Bolt Spacer	4	0,008
16	21040402401	Wire Harness Mounting Board	1	0,011
17	21040206301	Anti-Vibration Mount	4	0,066
18	21170103801	Fule Hose L=90mm	2	0,066
19	21170104001	Fule Hose L=470mm	1	0,066
20	21170104901	Hose Clampφ15.7	3	0,066
21	21170102801	Y Type Copper Tee	1	0,066

	22	21170104101	Hose Clamp 14.8mm	2	0,066
--	----	-------------	-------------------	---	-------

E13. DIAGRAM 2024 AODES TOOL KITS E13



ITEM #	CODE	ENGLISH NAME	QTY	WEIGHTS (kg)
1	2104040000	Diagnostic Tool-Delphi	1	0,305
2	2104040001	Diagnostic Tool (Write Program)-Delphi	1	0,305
3	90101010640	Flywheel Puller	1	0,225
	90101010750	Flywheel Puller Rod	1	0,102
	90101010650	Crankshaft Protector	1	0,180
4	90103050079	Retaining tool	1	0,663
5	90801011846	Retaining tool	1	0,528
6	90101010540	Drive Wheel Puller	1	0,316
7	90101010960	Driven Wheel Puller	1	0,108
8	90801010527	Water Seal Tool Support Plate	1	0,404
	90801010529	Bolt M20	1	0,169
	90801010528	Water Seal Tool Base	1	0,289
	90801010496	Water Seal Installation Shaft	1	0,146
	90801010497	Water Seal Installation Base	1	0,198
	90801010526	Water Seal Press Tool Support Column	4	0,096
	09160006202	Bearing 6202	1	0,089