



BEYOND ROADS

PATHCROSS 650L

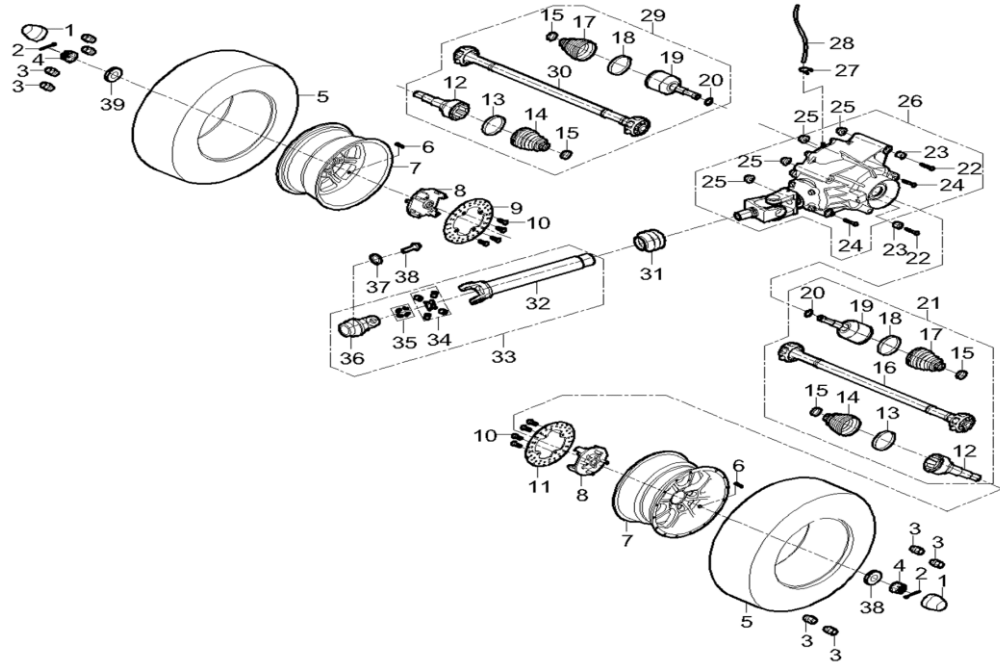
MODEL YEAR 2024



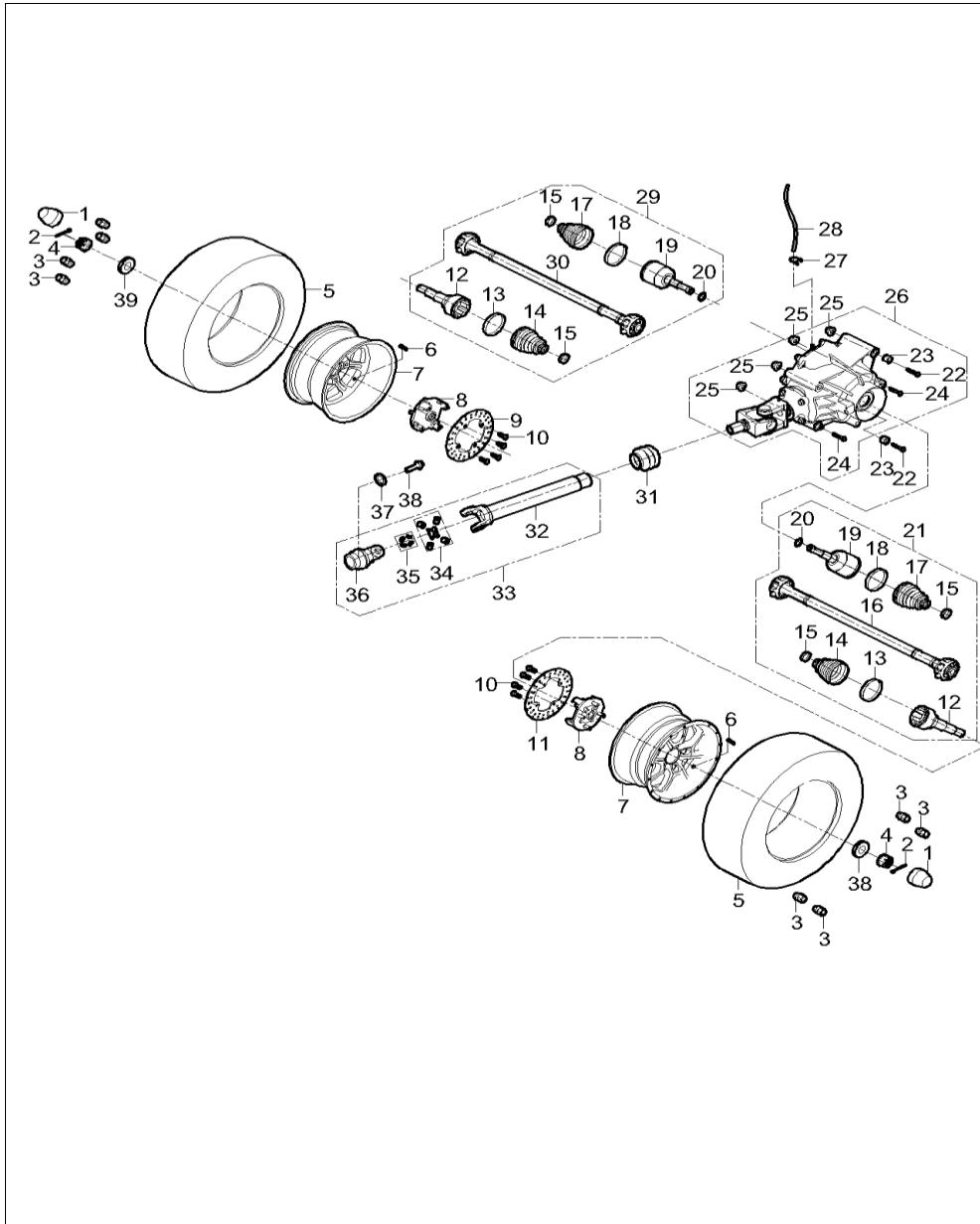
1. DIAGRAM 2024 AODES FRONT DRIVE SYSTEM F01		ITEM #	CODE	ENGLISH NAME	QTY	WEIGHTS (kg)
		1	10405230020	Wheel Dust-Proof Cover	2	0,03
		1	17005030020		2	0,03
		2	5011400405	Cotter pin 4.0x40	2	0,004
		3	4322120021	Acorn nut 12x1.25	8	0,058
		4	4812220022	Slotted flange nut 22x1.5	2	0,094
		5	17005030250	Front Tire 26x9-14	2	11,41
		5	17005030480	Front Tire 26x9-14	2	11,41
		5	13605030530	Front Tire 26x9-14	2	11,41
		5	13605030250	Front Tire 26x9-14	2	11,41
		5	17005030530	Front Tire 26x9-14	2	11,41
		5	17005030640		2	13,5
		5	17005030610		2	13,5
		6	10405230030	Air Valve	2	0,009
		7	17005030280	Front Rim (Wheel)	2	5,509
		7	13605030401	Front Rim 14x7	2	5,509
		8	15101030000	Front wheel-hub	2	2,834
9	17006010020	Front Brake Disc	2	0,959		
10	1824080201	Allen T type bolt 8x20	8	0,013		
11	17003110030	Front transmission shaft holster	2	0,029		
12	21170101801	Front transmission shaft	1	0,678		
13	21160401601	Steel clamp	1	0,009		
14	21130103101	Air Pipe	1	0,089		
15	1256100206	Hex Flange Bolt 10x20x1.25	2	0,022		
16	4622100026	Heagon flange locking nut 10x1.25	1	0,013		

	17	1256100956	Hex Flange Bolt 10x95x1.25	1	0,075
	18	21120100002	Front differential	1	8,185
	18	17003100000	Front differential	1	8,9
	19	17001220000	Front C.V. shaft, LH	1	3,76
	20	7031180004	Snap roll 18	2	0,001
	21	17001230110	Movable Universal joint(FH,RH)	1	0,915
	22	17001220170	Hose Clamp 75.5	2	0,05
	23	17001220120	Dust cover (Front C.V. Shaft)	4	0,045
	24	17001220150	Hose Clamp 28.5	4	0,018
	25	17001230130	Intermediate shaft(FH,RH)	1	1,7
	26	17001220160	Hose Clamp 74	2	0,05
	27	17001220140	Fixed Univeral joint(Front)	2	0,92
	28	17001230000	Front C.V. shaft, RH	1	3,726
	29	17001220130	Intermediate shaft(FH,LH)	1	1,6
	30	17001220110	Movable Universal joint(FH,LH)	1	0,98

2. DIAGRAM 2024 AODES REAR DRIVE SYSTEM F02

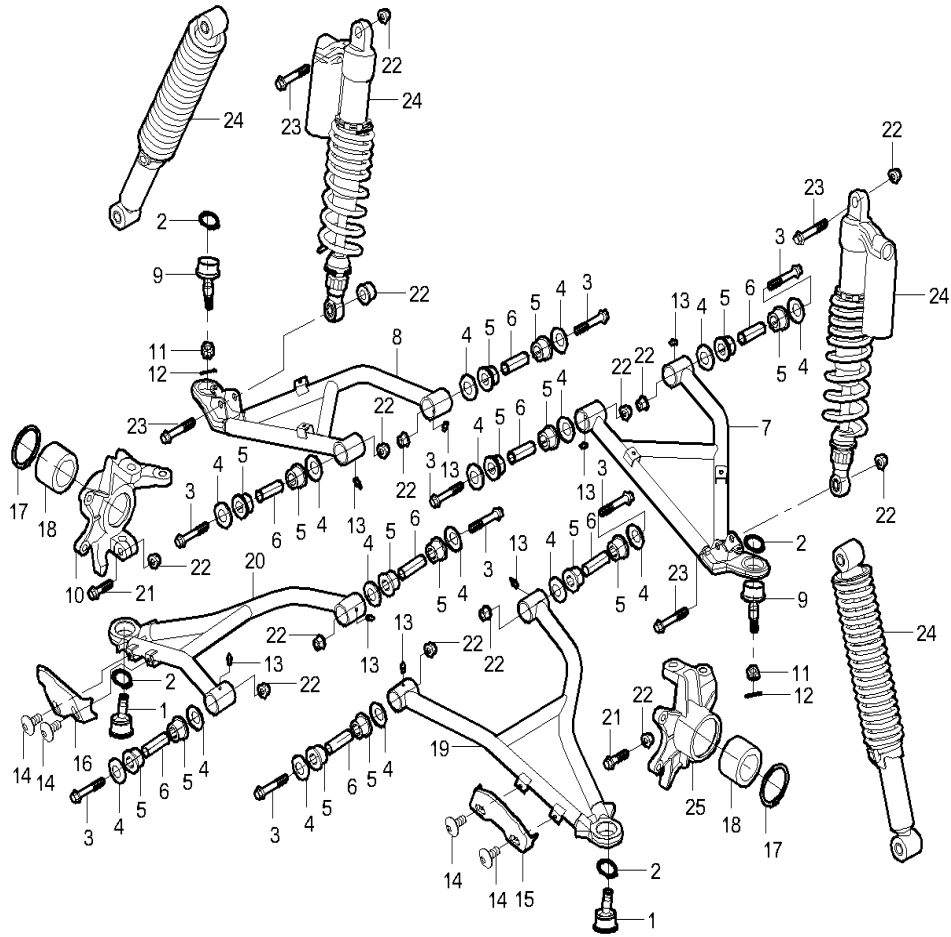


ITEM #	CODE	ENGLISH NAME	QTY	WEIGHTS (kg)
1	10405230020	Wheel Dust-Proof Cover	2	0,03
1	17005030020		2	0,03
2	5011400405	Cotter pin 4.0x40	2	0,004
3	4812224022	Slotted flange nut 24x1.5	2	0,094
4	4322120021	Acorn nut 12x1.25	8	0,058
5	17005040200	Rear Tire 26x11-14	2	13,794
5	17005030490	Rear Tire 26x11-14	2	13,794
5	13605030540		2	13,794
5	13605040200		2	13,794
5	17005030540		2	13,794
5	17005040640		2	13,794
5	17005040610		2	13,794
6	10405230030	Air Valve	4	0,009
7	17005040210	Rear Rim (wheel)	2	5,996
7	13605040261	Rear Rim 14x8	2	5,996
8	15101040000	Rear wheel-hub	2	1,95
9	17006010340	Rear brake disc (RH)	1	1,177
10	17006010340	Allen T type bolt 8x20	8	0,011
11	17006010350	Rear brake disc (LH)	1	0,959
12	17010240070	Fixed universal joint	2	2,65
13	17010240100	Hose Clamp 85.6	2	0,05
14	17010240050	Dust-proof sleeve (Rear C.V shaft)	2	0,045
15	17010240090	Hose Clamp 29.1	4	0,02
16	17010250060	Central shaft (rear right)	1	1,39



17	17010240050	Dust-proof sleeve (Rear C.V shaft)	2	0,02
18	17010240080	Hose Clamp 86.8	4	0,05
19	17010240040	Movable Universal joint(rear shaft)	2	1,67
20	7031180004	Snap ring 18	2	0,002
21	17001240000	Rear C.V. Shaft(Left)	1	6,048
22	1256101306	Hex Flange Bolt 10x130x1.25	2	0,009
23	17003120820	Rear differential sleeve	2	0,032
24	1256101206	Hex Flange Bolt 10x120x1.25	2	0,008
25	4622100026	Heagon flange locking nut 10x1.25	4	0,013
26	17003120000	Rear differential (differential)	1	10,092
26	17003120100	Rear differential (normal)	1	10,092
27	11904070030	Spring hose clip 8	1	0,001
28	17003120720	Rear differential vent pipe	1	0,017
29	17001250000	Rear C.V. Shaft(Right)	1	6,183
30	17010240060	Central shaft (rear left)	1	1,3
31	17003130030	Dust Cover,Rear transmission shaft	1	0,02
32	17003130090	Rear transmission shaft cross shaft (long version)	1	2,4
33	17003130070	Transmission shaft (800cc,long)	1	2,4
34	17003130120	Cross fork shaft (assy)	1	1,2
35	7011250004	C-clamp 25	4	0,002
36	17303130100	Rear drive sliding fork (650cc)	1	0,45
37	6119112835		1	0,015
38	1256100256		1	0,03
39	15101250010	Front butterfly washer $\phi 24.5 \times \phi 42 \times 5$	2	0,036

3. DIAGRAM 2024 AODES FRONT SUSPENSION SYSTEM F03



ITEM #	CODE	ENGLISH NAME	QTY	WEIGHTS (kg)
1	13601190021	Ball joint (lower)	2	0,206
2	7031340004	Snap ring 34	4	0,005
3	1256100756	Hex Flange Bolt 10x75x1.25	8	0,06
4	13601070030	A-arm nylon sleeve cap	16	0,008
5	10401070020	A-arm nylon sleeve	16	0,01
6	13601070011	A-arm bushing	8	0,054
7	17001060010		1	1,78
7	17001060090		1	1,78
8	17001070080		1	1,78
8	17001070210		1	1,78
9	10401190000		2	0,216
10	17005220030		1	1,83
11	4724120026	Castle nut 12x1.25	2	0,02
12	5011250255	Cotter Pin 2.5x25	2	0,025
13	10901070090		8	0,002
14	3414060124	Allen bolt M6x12	4	0,006
15	17001220100		1	0,043
16	17001230100		1	0,043
17	7011630004		2	0,011
18	9560306342		2	0,549
19	17001080020		1	1,72
19	17001080170		1	1,72
20	17001090020		1	1,72
21	17001090160		1	1,72

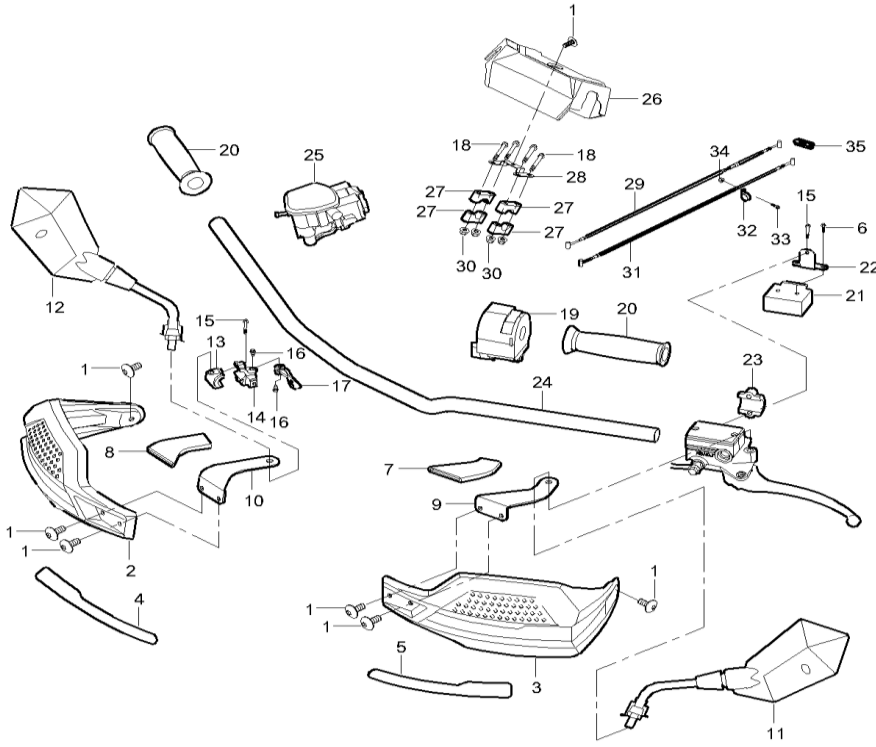
	21	17001190070	Hex Flange Bolt 10x40x1.25	2	0,04
	22	4622100026	Heagon flange locking nut 10x1.25	14	0,013
	23	1256100556	Hex Flange Bolt 10x55x1.25	4	0,044
	24	17001010122		2	2,942
	24	17301010131		2	2,942
	24	17001010051		2	2,942
	25	17005210030		1	1,83

4. DIAGRAM 2024 AODES REAR SUSPENSION F04		ITEM #	CODE	ENGLISH NAME	QTY	WEIGHTS (kg)
	1	17001100080			6	0,02
	2	9560006203			8	0,064
	3	17001100070			2	0,2
	4	17001100060			1	0,2
	5	10901070090			6	0,002
	6	3414060124	Allen bolt M6x12	6	0,006	
	7	17001210080		2	0,26	
	8	17001210090		4	0,02	
	9	16201070020		8	0,008	
	10	17001120020		1	0,103	
	11	17001130020		1	0,103	
	12	17001100000		1	6,54	
	12	17001110070			6,54	
	13	17001110000		1	6,54	
	13	17001100110		1	6,54	
	14	7011630004		2	0,011	
	15	9560306342		2	0,549	
	16	17001210020		1	2	
	17	17001210030		2	0,247	
	18	17001210040		2	0,025	
19	17001210070		2	0,245		
20	17001020142		2	3,6		
20	17001020020		2	3,6		
20	17301020021		2	3,6		

	20	17001020061		2	3,6
	21	1256100606	Hex Flange Bolt 10x60x1.25	2	0,05
	22	4632160025		2	0,04
	23	1256100556	Hex Flange Bolt 10x55x1.25	2	0,044
	24	1214080806		4	0,04
	25	4612080026		4	0,01
	26	4622100026	Heagon flange locking nut 10x1.25	8	0,013
	27	1256100706		4	0,057
	28	11010025405		4	0,008
	29	1256100606	Hex Flange Bolt 10x60x1.25	2	0,05

5. DIAGRAM 2024 AODES HANDLEBAR F05

ITEM #	CODE	ENGLISH NAME	QTY	WEIGHTS (kg)
1	3414060124	Allen bolt M6x12	7	0,005
2	17005160090		1	0,14
3	17005160080		1	0,14
4	17014190100		1	0,023
5	17014190090		1	0,023
6	3174040104		2	0,001
7	17005160290		1	0,023
8	17005160300		1	0,023
9	17005160030		1	0,1
10	17005160040		1	0,1
11	13605140000		1	0,28
11	17005140000		1	0,28
12	13605150000		1	0,28
12	17005150000		1	0,28
13	17006010560		1	0,052
14	14506010560		1	0,073
15	01224060225	Hex Flange Bolt 6x22	4	0,01
16	14506010570		2	0,01
17	14506010130		1	0,037
18	1214080655	Hex Flange Bolt 8x65	4	0,033
19	17009190080		1	0,14
20	13605130000		2	0,09
21	17014250130		1	0,17
22	17014250150		1	0,02



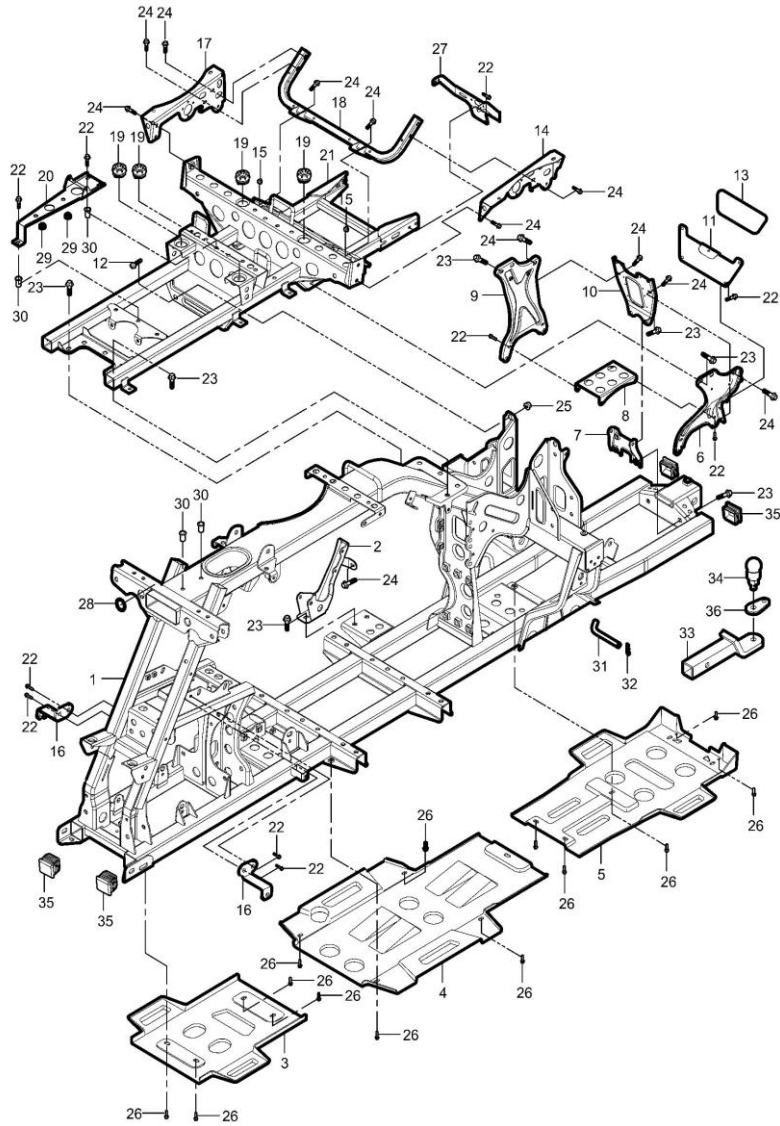
	23	17006010560		1	0,052
	24	17005160000		1	1,26
	25	17011070010		1	0,3
	25	17311070010		1	0,3
	26	17005160120		1	0,11
	27	13605170010		4	0,03
	28	17005170050		1	0,03
	29	17011010010		1	0,067
	30	4612080026	Heagon flange locking nut 8	4	0,009
	31	17011020040		1	0,445
	32	17006010090	Clamp (for brake oil pipe)	1	0,008
	33	1254060166	Allen bolt M6x16	1	0,005
	34	4612060026	Heagon flange locking nut 6x1.25	1	0,004
	35	17009010300		1	

6.1 DIAGRAM 2024 AODES STEERING SYSTEM (SEPARATED EPS) F06		ITEM #	CODE	ENGLISH NAME	QTY	WEIGHTS (kg)
		1	17005050090		1	1,337
		2	1214080656	Hex Flange Bolt 8x65	2	0,033
		3	17007020070		1	0,14
		4	13605190000		2	0,017
		5	13605190010		2	0,04
		6	11020038310		2	0,002
		7	1256100206	Hex Flange Bolt 10x20x1.25	2	0,022
		8	17005190040		1	0,17
		9	6619081405		4	0,001
		10	1224080306	Hex Flange Bolt 8x30	2	0,02
		11	3424060126		2	0,009
		12	4612080026		2	0,009
		13	17009040040		1	0,11
		14	1224080206	Hex Flange Bolt 8x20	8	0,015
		15	17305270010		1	5,997
		16	17305270150		1	0,15
		17	17014130010		1	0,009
		18	4612060026		3	0,004
		19	17005270160		1	0,481
		20	17305270050		1	0,819
		21	1214060356		3	0,012
		22	1225100206	Hex Flange Bolt 10x20x1.5	4	0,026
		23	17005270060		1	0,041
		24	1254060166		1	0,007

	25	17005110011		1	0,418
	26	9561726204		1	0,099
	27	17005190080		1	0,04
	28	5011300252	Cotter Pin 3.0x25	3	0,002
	29	4712100022	Castle nut 10x1.25	4	0,016
	30	6119102005	Flat Washer 10.5x20x2	4	0,004
	31	17005110002		1	0,317
	32	16101140050		1	0,008
	33	6619162405		1	0,015
	34	4722160022	Castle nut 16x1.5	1	0,05
	35	13605120001		2	0,716
	36	17009030000		1	0,086

6.2 DIAGRAM 2024 AODES STEERING SYSTEM		ITEM #	CODE	ENGLISH NAME	QTY	WEIGHTS (kg)
		1	17305050001		1	1,337
		2	1214080656	Hex Flange Bolt 8x65	2	0,033
		3	17007020070		1	0,14
		4	13605190000		4	0,017
		5	13605190010		2	0,04
		6	11020038310		2	0,002
		7	1256100206	Hex Flange Bolt 10x20x1.25	2	0,022
		8	17005190040		1	0,17
		9	4612080026		2	0,009
		10	17009040040		1	0,11
		11	1214080205	Hex flange bolt 8x20	4	0,015
		12	17009030000		1	0,086
		13	3424060126		2	0,009
		14	9561726204		1	0,099
		15	17005190080		1	0,04
		16	6619081405		2	0,001
		17	17005110002		1	0,317
		18	16101140050		1	0,008
		19	6619162405		1	0,015
		20	4722160022	Castle nut 16x1.5	1	0,05
		21	5011250255	Cotter Pin 2.5x25	3	0,002
		22	4712100022	Castle nut 10x1.25	4	0,05
		23	6119102005	Flat Washer 10.5x20x2	4	0,004
		24	13605120001		2	0,716

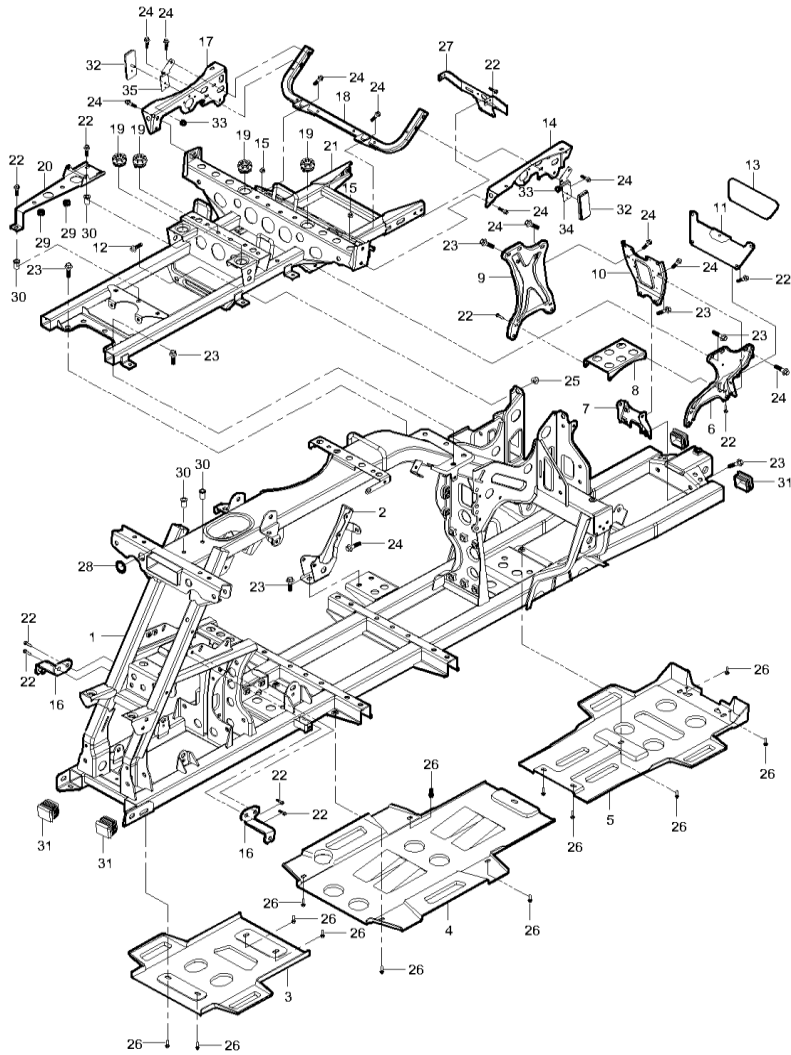
7.1 DIAGRAM 2024 AODES FRAME & ACCESSORIES F07 (EUROPE)



ITEM #	CODE	ENGLISH NAME	QTY	WEIGHTS (kg)
1	17008010000		1	39,2
2	17006080010		1	0,54
3	17008010060		1	0,246
4	17008010080		1	0,591
5	17008010070		1	0,384
6	17008250060		1	1
7	17008250090		1	0,28
8	17004180030		1	0,3
9	17008250070		1	1
10	17008250080		1	0,47
11	17004180010		1	0,34
12	1256100256	Hex Flange Bolt 10x25x1.25	2	0,026
13	17014130010		1	0,011
14	17008130150		1	0,85
15	4612080026		2	0,009
16	17010580030		2	0,05
17	17008130160		1	0,86
18	17008130010		1	1,34
19	17014020010		4	0,02
20	17009090200		1	0,32
21	17008010010		1	7,97
22	1254060166	Screw hex-flange	17	0,007
23	1256100206	Hex Flange Bolt 10x20x1.25	14	0,022
24	1224080166	Hex Flange Bolt 8x16	16	0,013

	25	4622100026		2	0,013
	26	3414060164		14	0,007
	27	17009140010		1	0,25
	28	17012050170		1	0,008
	29	10114090430		2	0,008
	30	4512060027	Rivet Nut 6	17	0,007
	31	10908420030	Tow Ball Fixed Pin	1	0,226
	32	10908420040	Tow Ball Pin	1	0,012
	33	10908420080		1	2,254
	34	17308420010	Tow Ball 2"	1	1,1
	35	17008010050		4	0,003
	36	13608420140		1	0,05

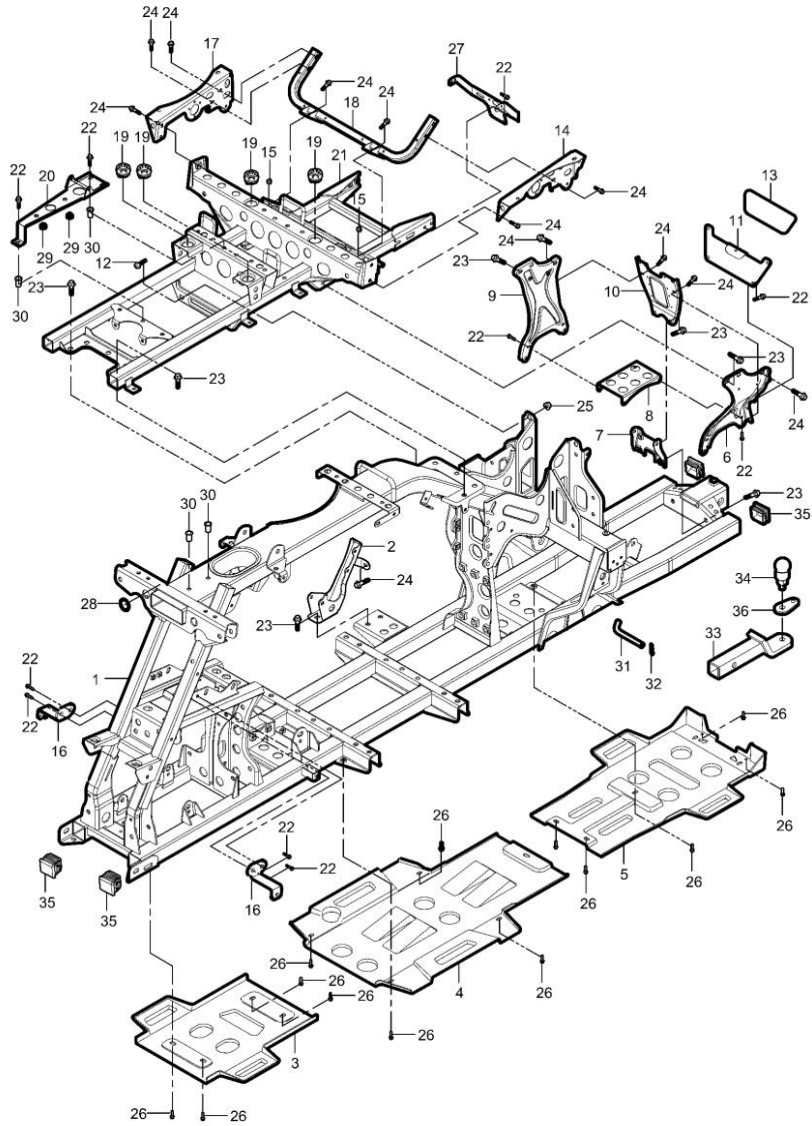
7.2 DIAGRAM 2024 AODES FRAME & ACCESSORIES F07 (USA)



ITEM #	CODE	ENGLISH NAME	QTY	WEIGHTS (kg)
1	17008010000		1	39,2
2	17006080010		1	0,54
3	17008010060		1	0,246
4	17008010080		1	0,591
5	17008010070		1	0,384
6	17008250060		1	1
7	17008250090		1	0,28
8	17004180030		1	0,3
9	17008250070		1	1
10	17008250080		1	0,47
11	17004180010		1	0,34
12	1256100256	Hex Flange Bolt 10x25x1.25	2	0,026
13	17014130010		1	0,011
14	17008130150		1	0,85
15	4612080026		2	0,009
16	17010580030		2	0,05
17	17008130160		1	0,86
18	17008130010		1	1,34
19	17014020010		4	0,02
20	17009090200		1	0,32
21	17008010010		1	7,97
22	1254060166	Screw hex-flange	17	0,007
23	1256100206	Hex Flange Bolt 10x20x1.25	14	0,022
24	1224080166	Hex Flange Bolt 8x16	16	0,013

	25	4622100026		2	0,013
	26	3414060164		14	0,007
	27	17009140010		1	0,25
	28	17012050170		1	0,008
	29	10710150170		2	0,008
	30	4512060027	Rivet Nut 6	9	0,007
	31	17008010050		4	0,003
	32	13609180080		2	0,023
	33	4112050025		2	0,007
	34	17009180100		1	0,5
	35	17009180110		1	0,5

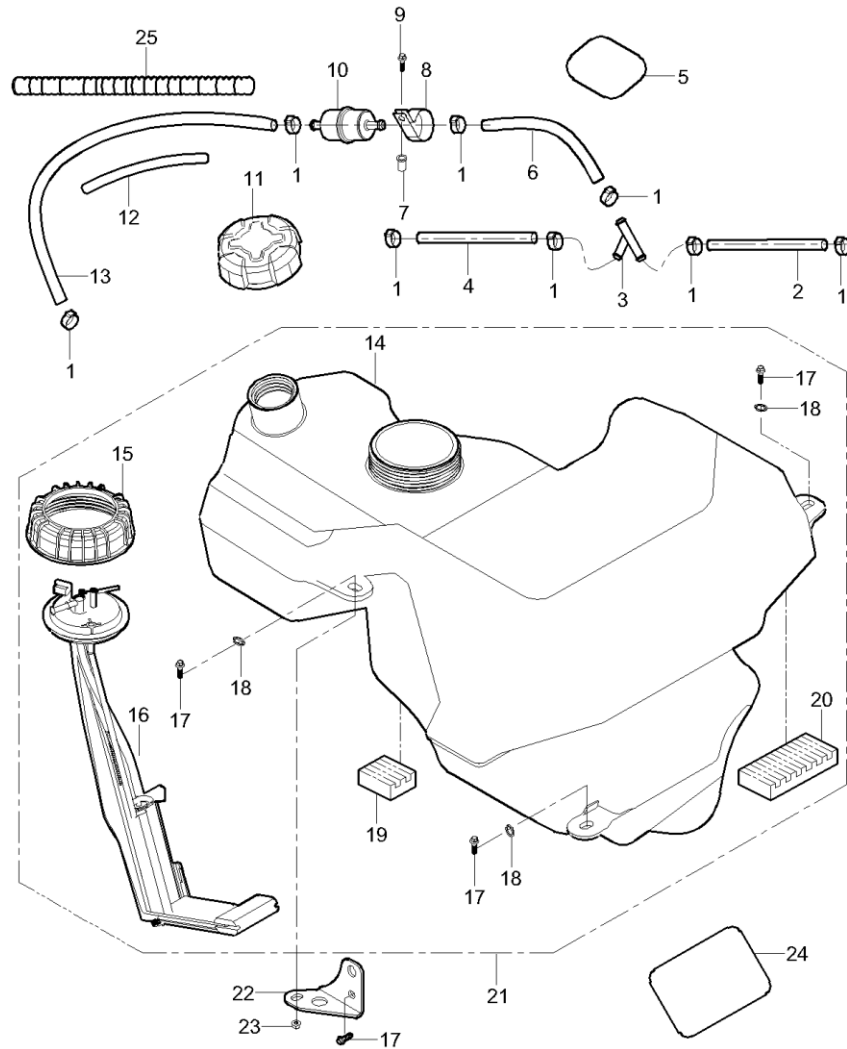
7.3 DIAGRAM 2024 AODES FRAME & ACCESSORIES F07 (GERMANY)



ITEM #	CODE	ENGLISH NAME	QTY	WEIGHTS (kg)
1	17008010030		1	
2	17006080010		1	0,54
3	17008010060		1	0,246
4	17008010080		1	0,591
5	17008010070		1	0,384
6	17008250060		1	1
7	17008250090		1	0,28
8	17004180030		1	0,3
9	17008250070		1	1
10	17008250080		1	0,47
11	17004180010		1	0,34
12	1256100256	Hex Flange Bolt 10x25x1.25	2	0,026
13	17014130010		1	0,011
14	17008130150		1	0,85
15	4612080026		2	0,009
16	17010580030		2	0,05
17	17008130160		1	0,86
18	17008130010		1	1,34
19	17014020010		4	0,02
20	17009090200		1	0,32
21	17008010010		1	7,97
22	1254060166	Screw hex-flange	17	0,007
23	1256100206	Hex Flange Bolt 10x20x1.25	14	0,022
24	1224080166	Hex Flange Bolt 8x16	16	0,013

	25	4622100026		2	0,013
	26	3414060164		14	0,007
	27	17009140010		1	0,25
	28	17012050170		1	0,008
	29	10114090430		2	0,008
	30	4512060027	Rivet Nut 6	17	0,007
	31	10908420030	Tow Ball Fixed Pin	1	0,226
	32	10908420040	Tow Ball Pin	1	0,012
	33	10908420080		1	2,254
	34	17008420130		1	1,1
	35	17008010050		4	0,003
	36	13608420140		1	0,05

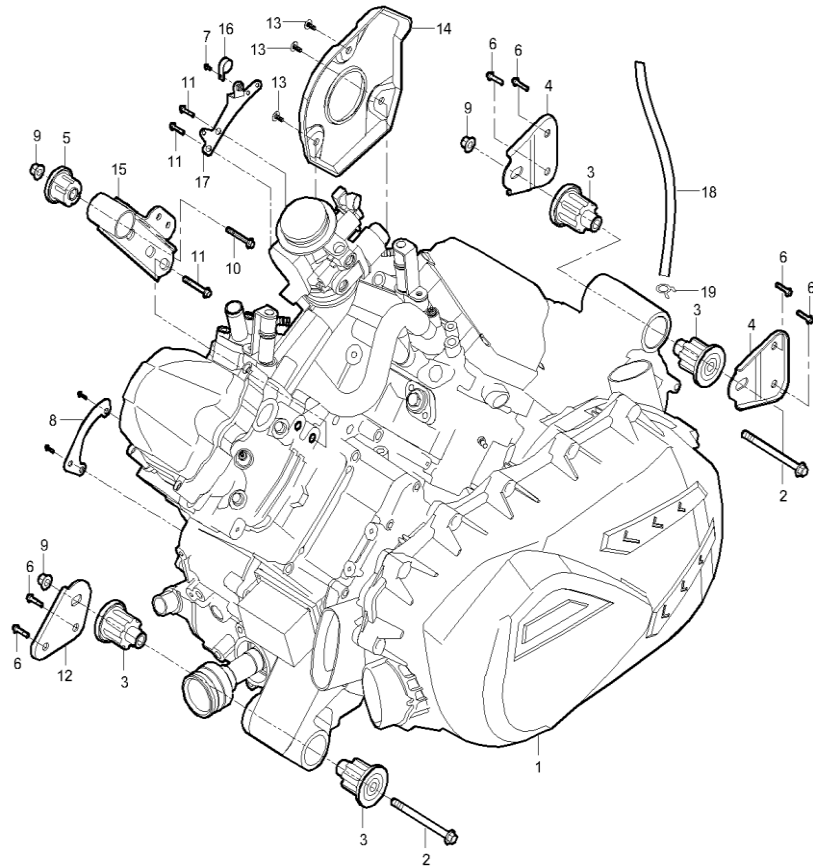
8. DIAGRAM 2024 AODES FUEL SYSTEM F08



ITEM #	CODE	ENGLISH NAME	QTY	WEIGHTS (kg)
1	17112010200		8	0,003
2	17004040590		1	0,016
3	21170102801		1	0,009
4	17001040600		1	0,017
5	17014130010		1	0,009
6	17001040610		1	0,07
7	4512060027	Rivet Nut 6	1	0,007
8	13204060010	Fuel filter bracket	1	0,018
9	1254060166	Screw hex-flange	1	0,007
10	13204060001	Fuel filter	1	0,065
11	17004020000	Tank cap	1	0,069
12	10904040080		1	0,071
13	17001040620		1	0,06
14	17004010160	Fuel tank	1	4,246
15	17004010190		1	0,05
16	17004080000	Fuel Pump	1	0,699
17	1224080306	Hex Flange Bolt 8x30	4	0,044
18	6219092205	Washer 8.5x22x2	3	0,005
19	17004010210		1	0,006
20	17004010220		1	0,012
21	17004010000		1	4,3
22	17004180020		1	0,08
23	4612080026		1	0,009
24	17014130010		1	0,028

	25	13204040540		1	0,01
--	----	-------------	--	---	------

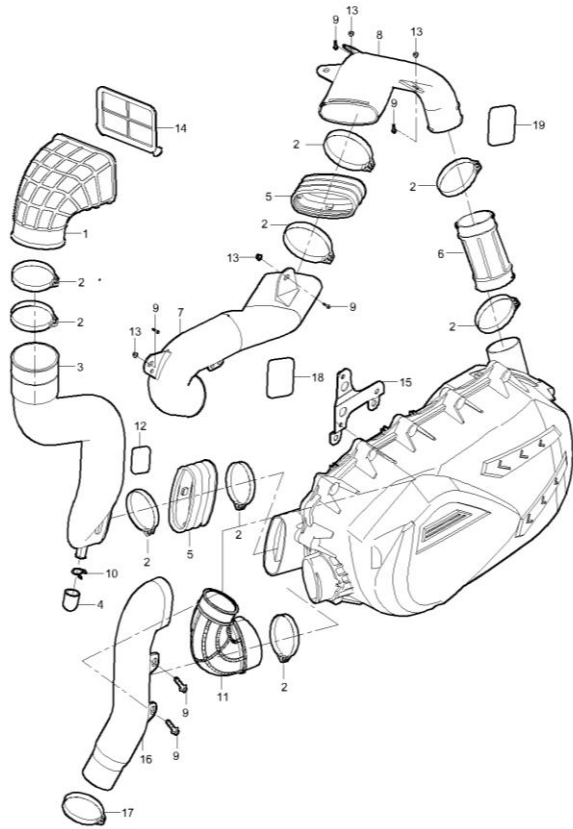
9. DIAGRAM 2024 AODES ENGINE INSTALLATION F09



ITEM #	CODE	ENGLISH NAME	QTY	WEIGHTS (kg)
1	40650408210		1	
2	1256101256	Hex Flange Bolt 10x125x1.25	2	0,1
3	21040206301	Anti-vibration mount	4	0,066
4	17002180010		2	0,1
5	21021100301		1	0,032
6	1224080166	Hex Flange Bolt 8x16	6	0,013
7	1254060166	Screw hex-flange	1	0,007
8	17012050060		1	0,02
9	4622100026	Heagon flange locking nut 10x1.25	3	0,013
10	1256100506		1	0,05
11	1225100206	Hex Flange Bolt 10x20x1.5	4	0,026
12	17002170010		1	0,1
13	3414060124	Phillips head screw	3	0,006
14	17007030120		1	0,069
15	17302110000		1	0,28
16	10109380030	Wire Harness Mounting Clamp 3	1	0,005
17	17309010290		1	0,07
18	17003120720		1	0,014
19	11904070030		1	0,001

10. DIAGRAM 2024 AODES INTAKE SYSTEM F10	ITEM #	CODE	ENGLISH NAME	QTY	WEIGHTS (kg)
	1	21170101721		1	0,06
	2	21170101731		1	0,075
	3	1224080166	Hex Flange Bolt 8x16	5	0,013
	4	21170101702		1	2,024
	5	4612080026		2	0,009
	6	4212080026		1	0,005
	7	17008220000		1	0,11
	8	4922060025		2	0,002
	9	17007020070		1	0,14
	10	1254060166	Screw hex-flange	5	0,007
	11	17004070060		5	0,003
	12	17009590010		1	0,06
	13	1254060256	Hex Flange Bolt 6x25	2	0,01
	14	17007030270	Clamp 60-80	1	0,022
	15	21170102101		1	0,03
	16	17007020130		1	0,105
	17	17007020130		1	0,9
	18	21130103201		1	0,006
	19	21170103401		2	0,002
	20	21051101813		6	0,005

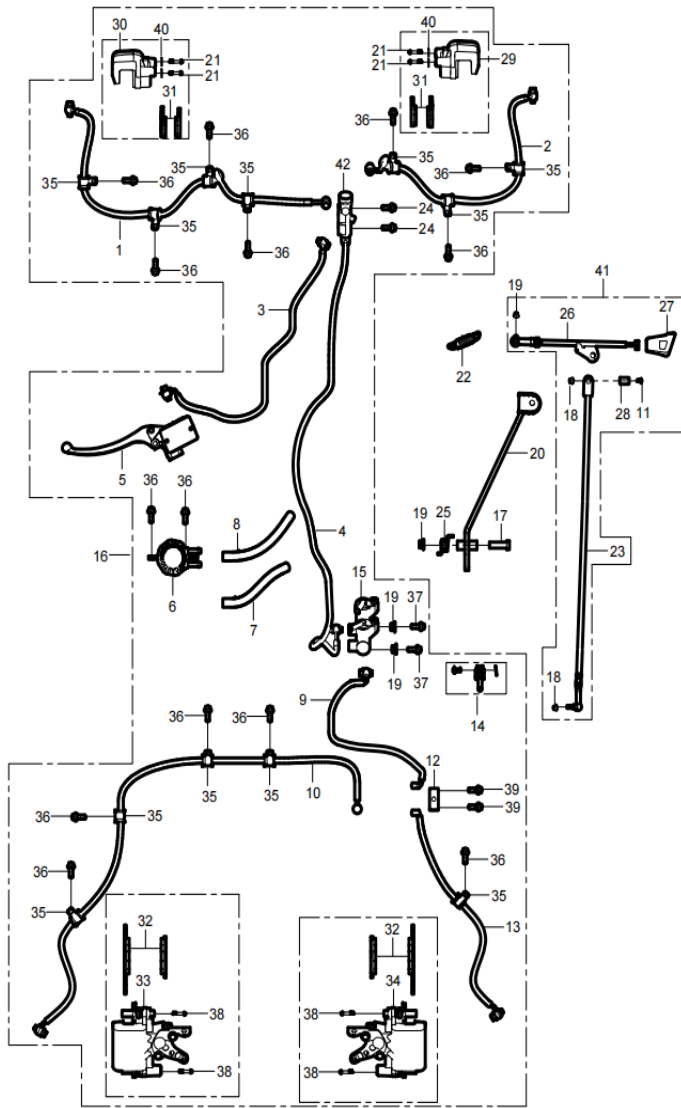
11.1 DIAGRAM 2024 AODES CVT INTAKE & EXHAUST SYSTEM F11



ITEM #	CODE	ENGLISH NAME	QTY	WEIGHTS (kg)
1	17307030260		1	0,198
2	17007030270	Clamp 60-80	9	0,022
3	17007030000		1	0,335
4	17007050160		1	0,002
5	17007030011		2	0,049
6	17007040011		1	0,094
7	17007040051		1	0,188
8	17007040001		1	0,271
9	1254060166	Screw hex-flange	6	0,271
10	10404070020		1	0,003
11	17007040070		1	0,136
12	17014130010		1	0,014
13	4612060026		4	0,004
14	17307030270	CVT Air Inlet Pipe Filter	1	0,012
15	21170103601		1	0,022
16	17007040060		1	0,206
17	12304010090		1	0,01
18	17014130010		1	0,014
19	17014130010		1	0,014

11.2 DIAGRAM 2024 AODES CVT INTAKE & EXHAUST SYSTEM F11 (OPTIONAL)	ITEM #	CODE	ENGLISH NAME	QTY	WEIGHTS (kg)
	1	17307030260		1	0,198
	2	17007030270	Clamp 60-80	9	0,022
	3	17007030000		1	0,335
	4	17007050160		1	0,002
	5	17007030011		2	0,049
	6	17007040011		1	0,094
	7	17007040051		1	0,188
	8	17007040001		1	0,271
	9	1254060166	Screw hex-flange	4	0,271
	10	10404070020		1	0,003
	11	21170102201		1	0,077
	12	17014130010		1	0,014
	13	4612060026		4	0,004
	14	17307030270	CVT Air Inlet Pipe Filter	1	0,012
	15	17014130010		1	0,014
	16	17014130010		1	0,014

12. DIAGRAM 2024 AODES BRAKING SYSTEM F12

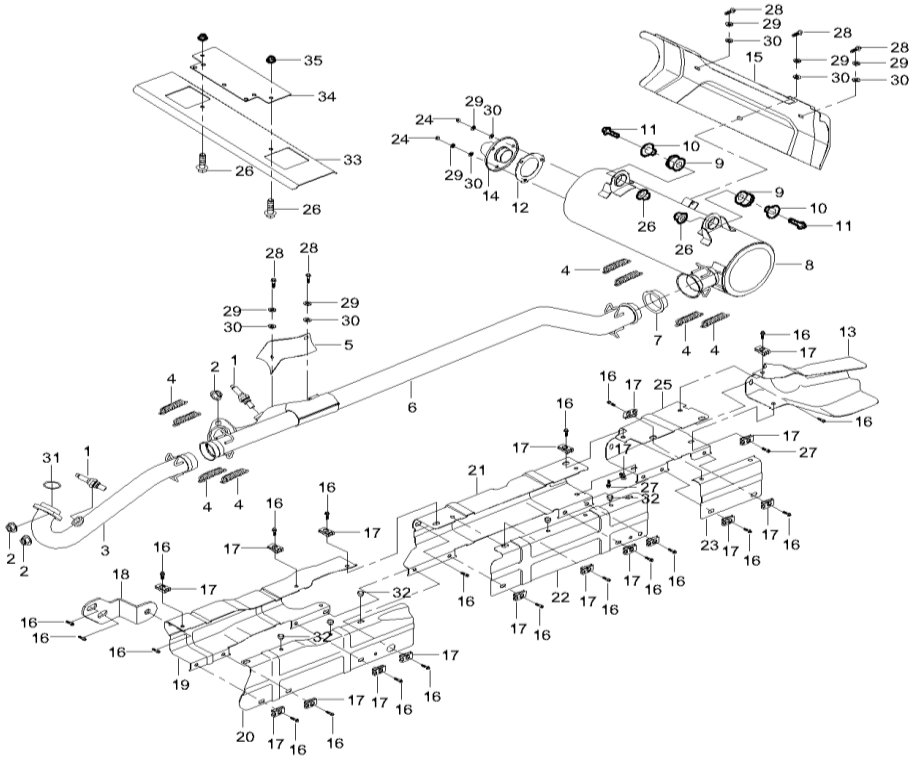


ITEM #	CODE	ENGLISH NAME	QTY	WEIGHTS (kg)
1	17006010160		1	0,13
2	17006010170		1	0,87
3	17006010370		1	0,9
4	17006010380		1	1,56
5	17006010360		1	0,45
6	17006010590		1	0,12
6	13606010440		1	0,12
7	17006010420		1	0,03
8	17006010410		1	0,03
9	17006010390		1	0,35
10	17006010260		1	1,4
11	1254060256		1	0,01
12	17006010460		1	0,08
13	17006010250		1	0,56
14	15106010470	Brake thimble	1	0,03
15	17006010270		1	0,4
16	17006010540		1	8,927
17	1824081506		1	0,05
18	4612060025	Heagon flange locking nut 6	1	0,004
19	4612080026		4	0,009
20	17006030000		1	0,615
21	1256100256		4	0,026
22	13611050020	Gear Shifting Spring	1	0,022
23	17311120020		1	0,378

	24	1224060305		2	0,01
	25	16106030021		1	0,015
	26	17311060000		1	0,188
	27	17011050000		1	0,11
	28	17011060130		1	0,005
	29	17006010050	Front calliper (right hand)	1	1,17
	30	17006010040	Front calliper (left hand)	1	1,17
	31	17006010060		2	1,17
	32	17006010080	Rear brake pads	2	1,17
	33	17006010150		1	1,6
	34	17006010140		1	1,6
	35	17006010090	Clamp (for brake oil pipe)	12	0,01
	36	1224060125	Screw hex-flange	16	0,007
	37	1224080306	Hex Flange Bolt 8x30	1	0,044
	38	1225100206	Hex Flange Bolt 10x20x1.25	4	0,026
	39	3344060205	Hex Flange Bolt M6X20	4	0,009
	40	6119102005		4	0,004
	41	17311120001		1	0,65
	42	17006010450		1	0,14

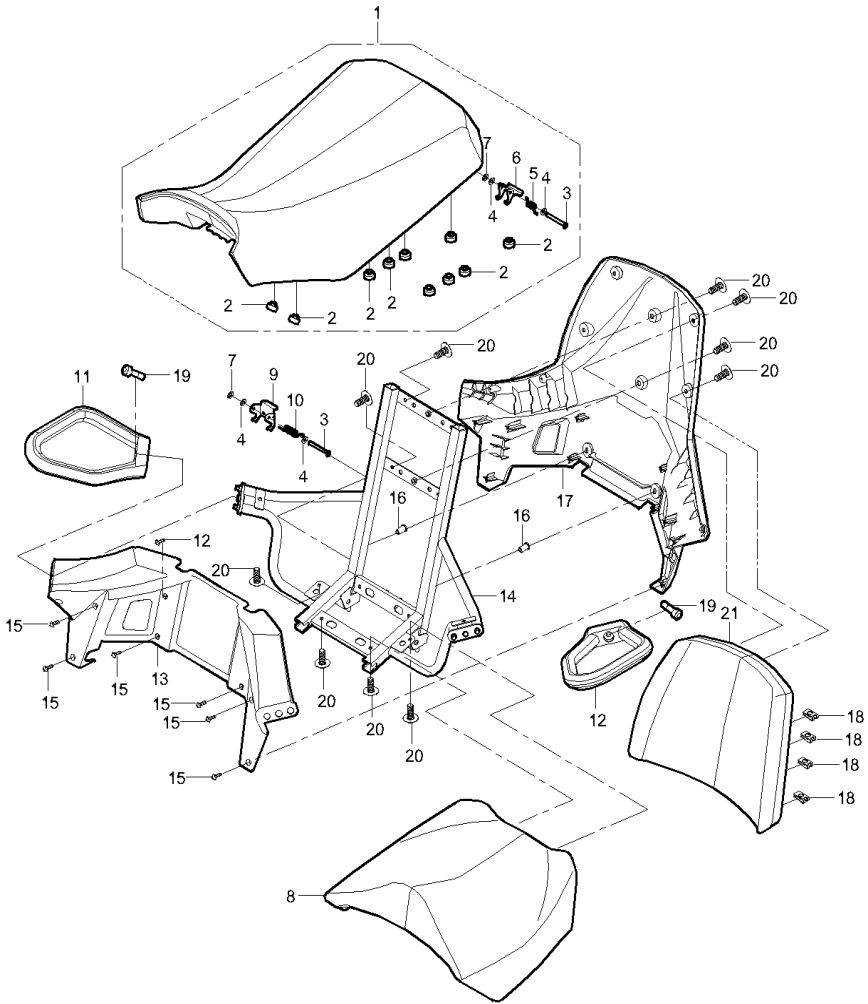
13. DIAGRAM 2024 AODES EXHAUST SYSTEM F13

ITEM #	CODE	ENGLISH NAME	QTY	WEIGHTS (kg)
1	21040400702	O2 sensor	2	0,087
2	4522080026	Hex Flange Locking Nut 8	4	0,009
3	17307010060		1	0,845
4	17007010340		8	0,022
5	17307010290		1	0,072
6	17307010070		1	2,5
7	17007010170		1	0,019
8	17307010020		1	6,348
8	17007090020		1	7,02
9	13607010140		2	0,015
10	13607010190		2	0,022
11	1224080356		2	0,021
12	17007100820		1	0,01
13	17007010310		1	0,431
14	17007010770		1	0,28
15	17007010320		1	0,802
16	1254060166	Screw hex-flange	28	0,007
17	17007010780		21	0,005
18	17007010760		1	0,05
19	17007010380		1	0,6
20	17007010370		1	0,482
21	17007010400		1	0,71
22	17007010390		1	0,44
23	17007010410		1	0,14



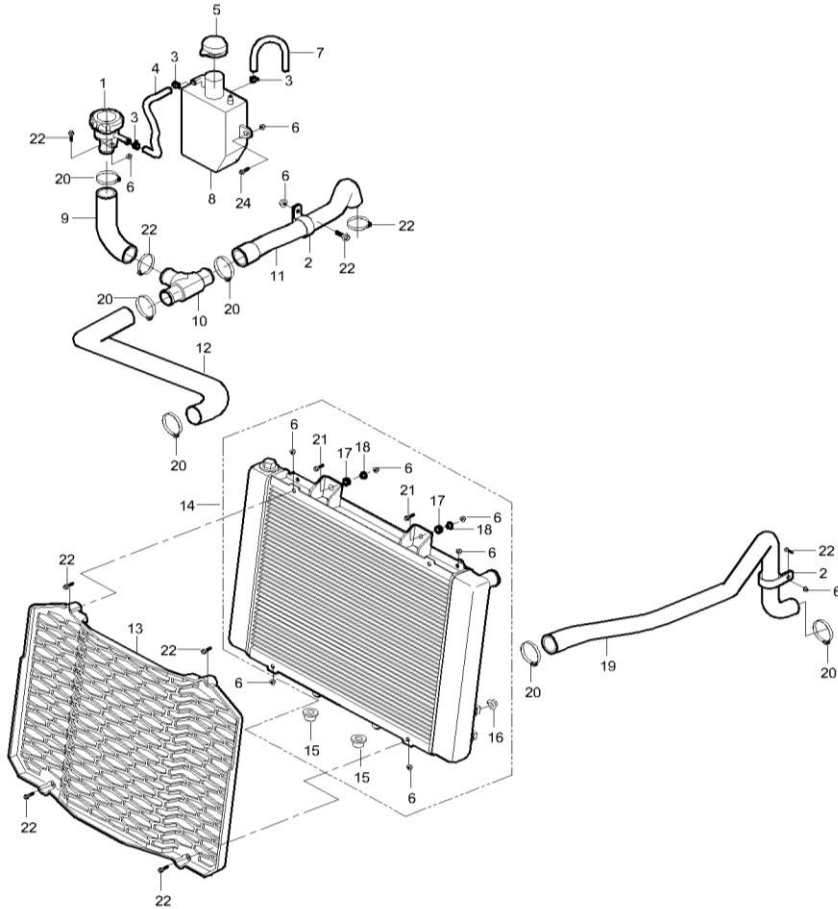
	24	4312060023		3	0,007
	25	17007010420		1	0,38
	26	4522080026		2	0,38
	27	1254060126		2	0,009
	28	1244060163		8	0,006
	29	6619061003		9	0,007
	30	6119061203		9	0,002
	31	21040400101		2	0,01
	32	17007010790		11	0,0004
	33	17010630180		1	0,8
	34	17010630190		1	0,48
	35	4612060026	Heagon flange locking nut 6x1.25	2	0,004

14. DIAGRAM 2024 AODES SEATS F14



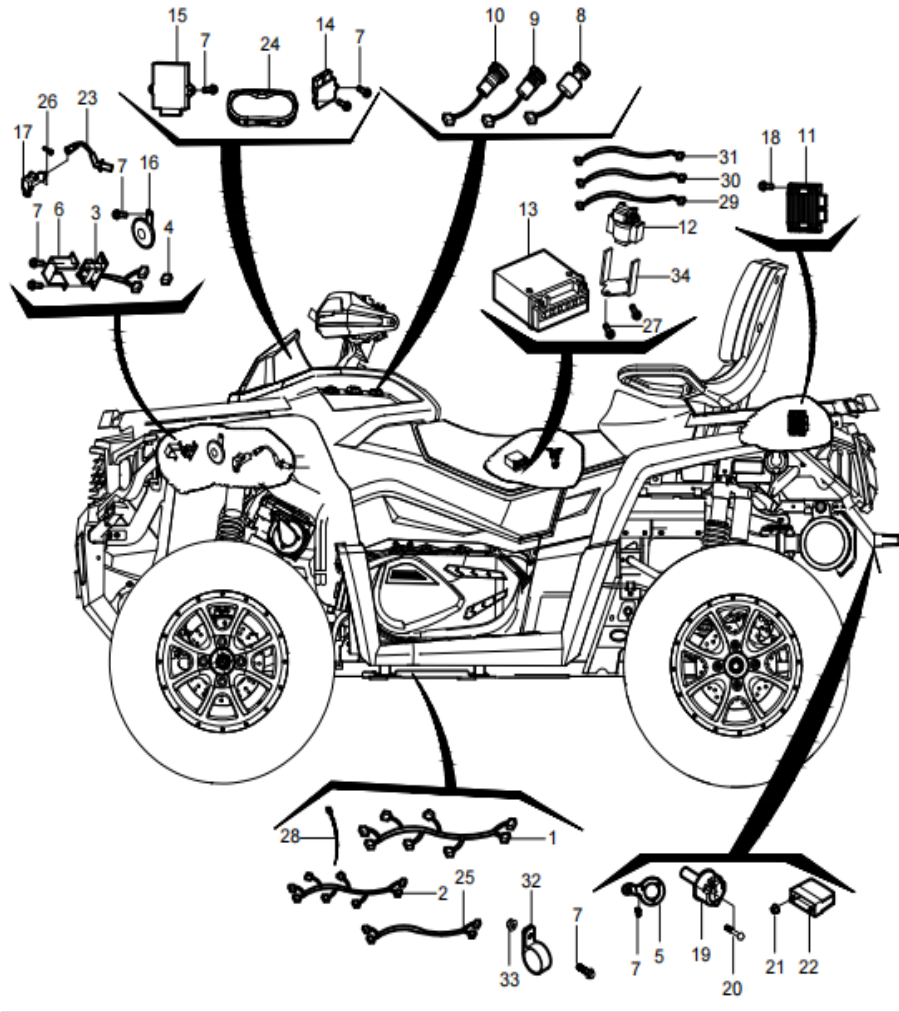
ITEM #	CODE	ENGLISH NAME	QTY	WEIGHTS (kg)
1	17014020110		1	2,4
1	17014020130		1	2,425
2	17014020250		10	0,004
3	17014020270		2	0,013
4	6119061805	Washer 6.5x18x1	4	0,002
5	17014020280		1	0,006
6	17014020290		1	0,026
7	7031050501		2	0,0002
8	17014020070		1	1,448
9	17014020240		1	0,045
10	17014020260		1	0,008
11	17008080020		1	0,609
12	17008070020		1	0,609
13	17014020220		1	0,6
14	17008090000		1	4,158
15	3714420165		14	0,002
16	4512060027	Rivet Nut 6	2	0,007
17	17014020230		1	0,991
18	4922060025		8	0,002
19	1224080256		2	0,012
20	3414060164	Phillips head screw	14	0,007
21	17014020140		1	0,927

15. DIAGRAM 2024 AODES COOLING SYSTEM F15

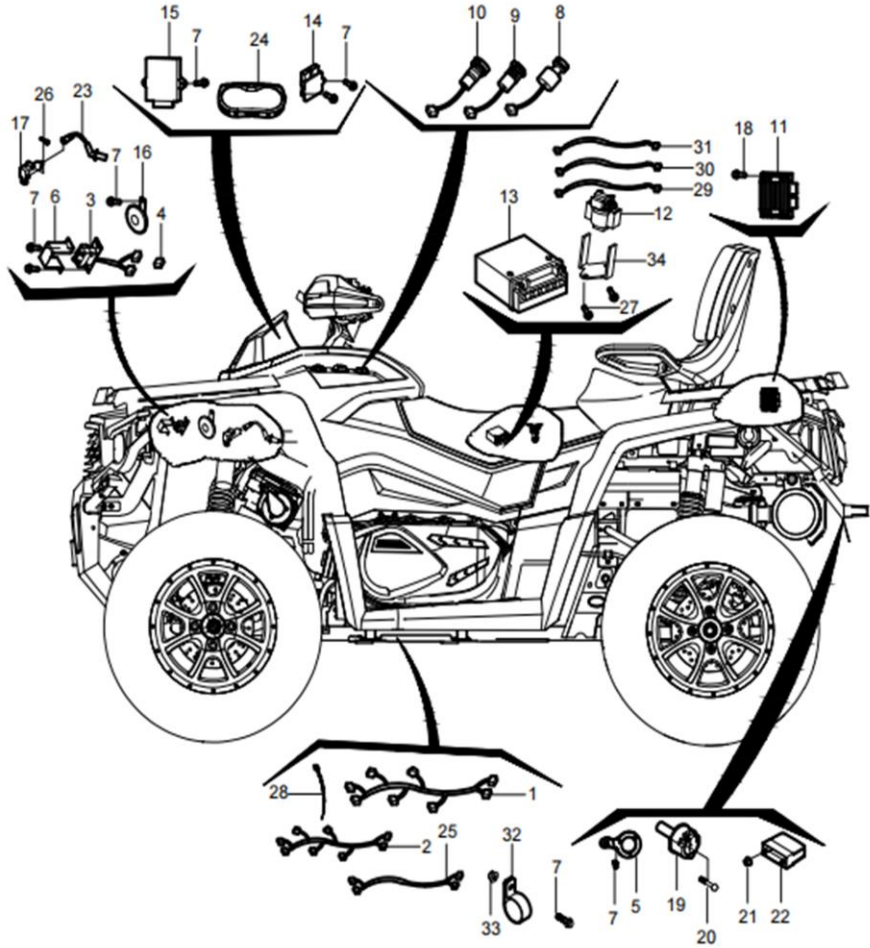


ITEM #	CODE	ENGLISH NAME	QTY	WEIGHTS (kg)
1	21040400913		1	0,072
2	10109380030	Wire Harness Mounting Clamp 3	2	0,017
3	11904070030	Spring hose clip 8	3	0,017
4	17012050080		1	0,019
5	17012040030		1	0,01
6	4612060025	Heagon flange locking nut 6	12	0,004
7	17012050080		1	0,013
8	13612040000		1	0,153
9	17012050050		1	0,077
10	17012050120		1	0,044
11	17012050010		1	0,143
12	17012050000		1	0,235
13	17012020000		1	0,206
14	21170104801		1	5,2
15	13612030030		2	0,002
16	21040402202	Temperature sensor Oil cooler	1	0,05
17	17012030080		2	0,002
18	17012030090		2	0,007
19	17012050020		1	0,316
20	17012070000	Clamp 20-32	8	0,016
21	1224060251	Hex Flange Bolt 6x25	2	0,01
22	1254060166	Screw hex-flange	7	0,007

16. DIAGRAM 2024 AODES ELECTRIC PARTS F16



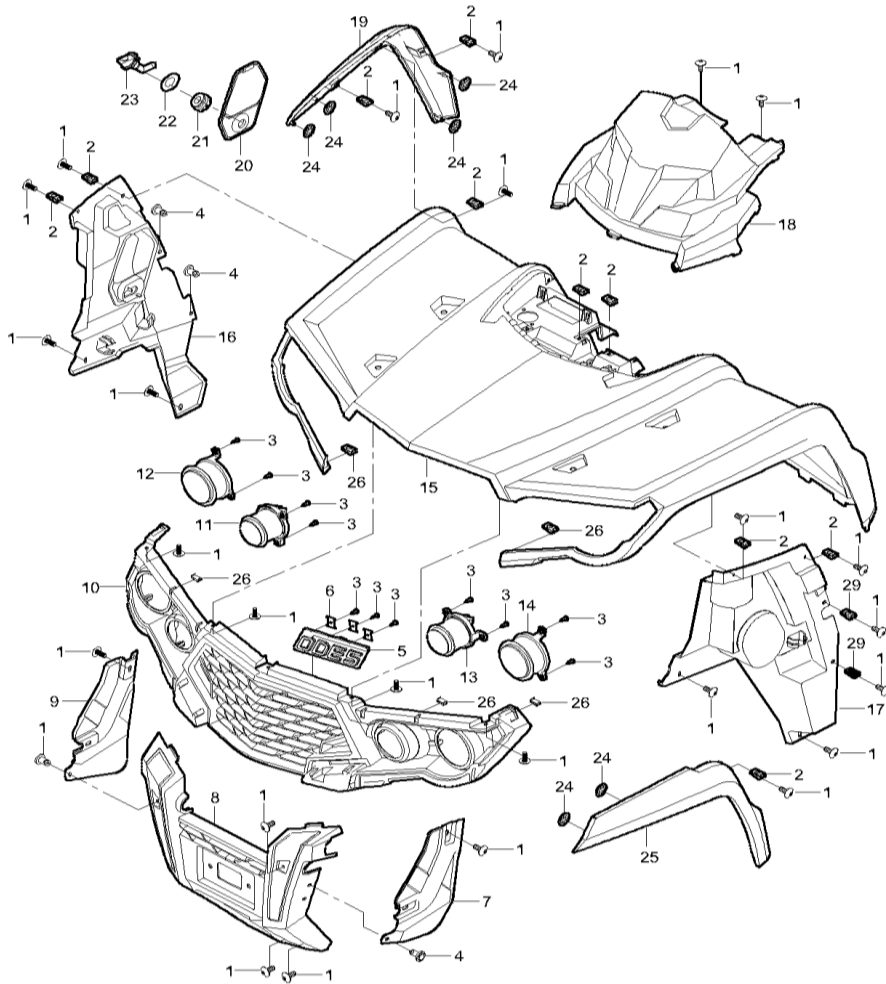
ITEM #	CODE	ENGLISH NAME	QTY	WEIGHTS (kg)
1	17009020044	Wire harness	1	2,038
2	17009410000		1	0,533
3	17014150341		1	1,002
4	17009520000		1	0,008
5	17008420050		1	0,06
6	10914150010		1	0,026
7	1254060166	Screw hex-flange	11	0,007
8	17009030000		1	0,259
8	17009040000		1	0,01
9	14709300010		1	0,061
10	13609300000		1	0,09
11	21170103501	Voltage regulator (high power)	1	0,492
12	17009300000	Starter relay	1	0,198
12	17009350000	Starter relay	1	0,198
13	17009090000	Battery	1	6,264
14	21170101301	ECU Module	1	0,124
14	21040406701	ECU Module	1	0,124
14	21051100103	ECU Module	1	0,124
14	21170104301	ECU Module	1	0,124
14	21040406801		1	0,124
14	21051102101		1	0,124
15	17009370011		1	0,235
15	17309370011		1	0,235
16	17009100000		1	0,239



16	16109100000		1	0,239
16	17309100000		1	0,239
17	21040400201	Ignition Coil	2	0,132
18	1214060356	Hex Flange Bolt 6x35	1	0,012
19	17008420060		1	0,179
20	3144050355		3	0,012
21	4612050025	Heagon flange locking nut 6	2	0,012
22	17009140000		1	0,062
23	21170102402		2	0,036
24	17009160192	Display	1	0,502
25	13608420160		1	0,05
26	1214060356	Screw hex-flangeM6x35	2	0,012
27	3414060164	Phillips head screw	2	0,007
28	90103040030		20	0,002
29	17009010090		1	0,1
30	17009010100		1	0,14
31	17309010180		1	0,011
32	10109380010		1	0,017
33	4612060026	Heagon flange locking nut 6x1.25	1	0,004
34	17009010310		1	0,02

17.1 DIAGRAM 2024 AODES FRONT PLASTIC F17 (AODES)

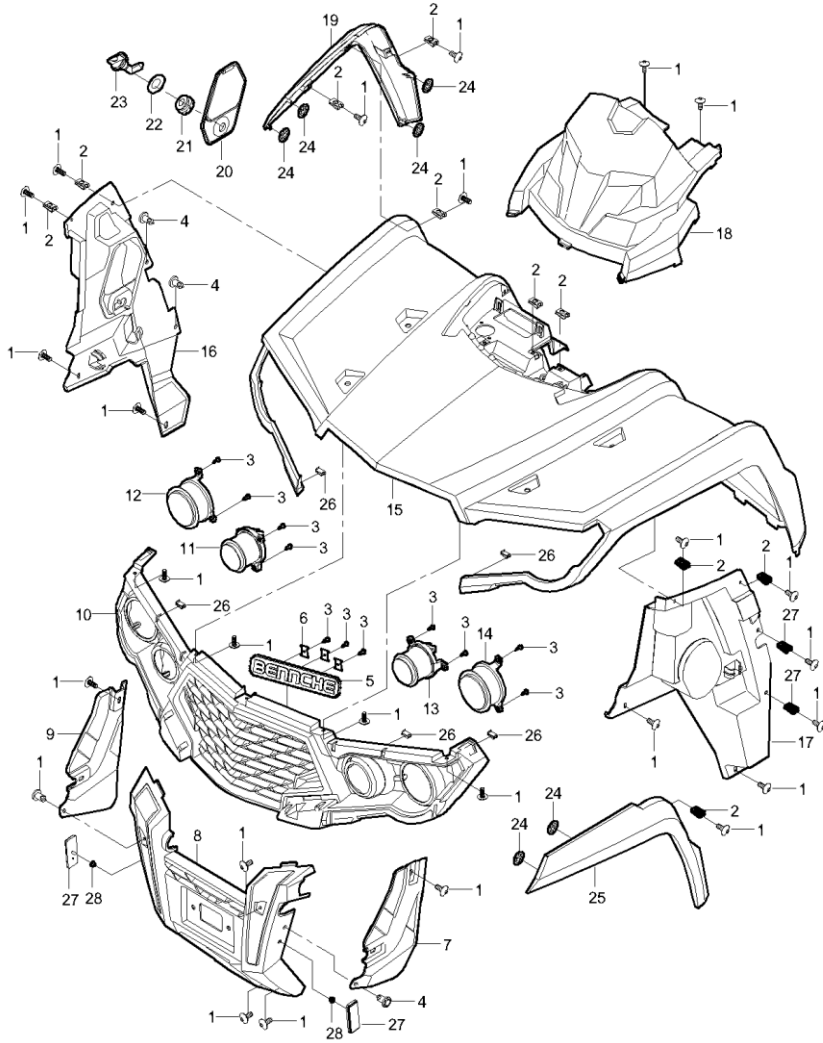
ITEM #	CODE	ENGLISH NAME	QTY	WEIGHTS (kg)
1	3414060164	Phillips head screw	29	0,006
2	4922060025		21	0,002
3	3714420165		15	0,002
4	10410190000		7	0,002
5	17010030150		1	0,026
5	17313040680		1	0,03
6	17010030030		3	0,002
7	17010330010		1	0,134
8	17010720000		1	0,72
9	17010330020		1	0,134
10	17010160000		1	1,01
11	17009060020		1	0,397
12	17009060040		1	0,327
13	17009060010		1	0,397
14	17009060030		1	0,327
15	17010201530		1	3,32
15	17010203140		1	3,32
15	17010202780		1	3,32
15	17010202790		1	3,32
15	17010202910		1	3,32
15	17010202910		1	3,32
15	17010202770		1	3,32
15	17010203100		1	3,32
15	17010201680		1	3,32



	15	17010203180		1	3,32
	15	17010203260		1	3,32
	15	17010203330		1	3,32
	16	17010330040		1	0,534
	17	17010330030		1	0,51
	18	17009160210		1	0,577
	19	17010680000		1	0,183
	20	17010690000		1	0,06
	21	16108150080		1	0,005
	22	6219162205		1	0,002
	23	16110260130		1	0,015
	24	17014110300		8	0,001
	25	17010670000		1	0,183
	26	16110750001		10	0,002
	27	13609180090		2	0,004
	28	4412050025		2	0,004
	29	17007010780		2	0,005

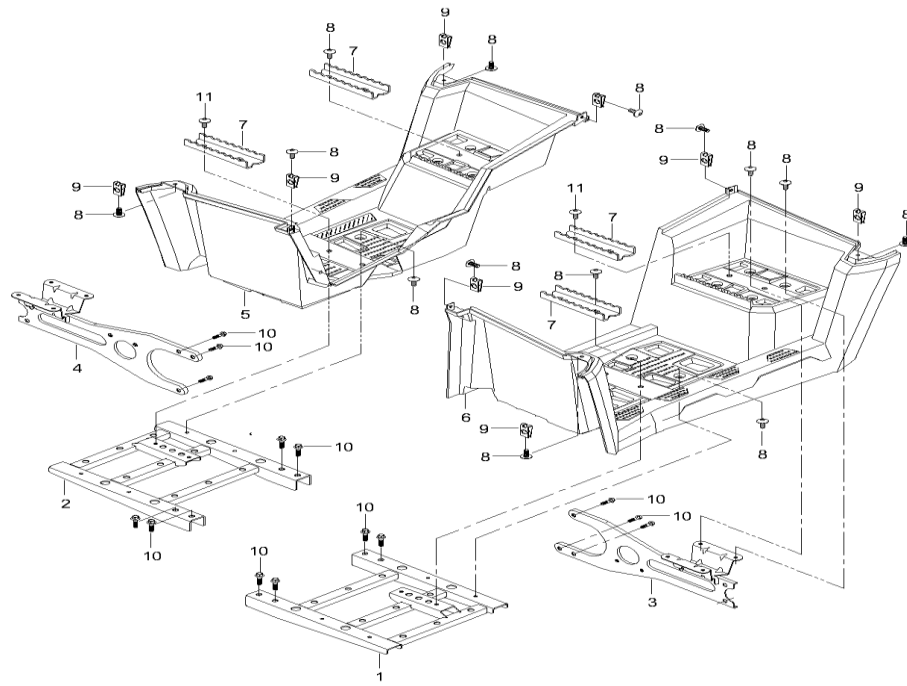
17.2 DIAGRAM 2024 AODES FRONT PLASTIC F17 (BENNCHÉ)

ITEM #	CODE	ENGLISH NAME	QTY	WEIGHTS (kg)
1	3414060164	Phillips head screw	31	0,006
2	4922060025		21	0,002
3	3714420165		15	0,002
4	10410190000		5	0,002
5	17010030160		1	0,026
6	17010030030		2	0,002
7	17010330010		1	0,134
8	17010720000		1	0,72
9	17010330020		1	0,134
10	17010160000		1	1,01
11	17009060020		1	0,397
12	17009060040		1	0,327
13	17009060010		1	0,397
14	17009060030		1	0,327
15	17010201530		1	3,32
15	17010203140		1	3,32
15	17010202780		1	3,32
15	17010202790		1	3,32
15	17010202910		1	3,32
15	17010202770		1	3,32
15	17010203100		1	3,32
15	17010201680		1	3,32
15	17010203180		1	3,32
15	17010203260		1	3,32



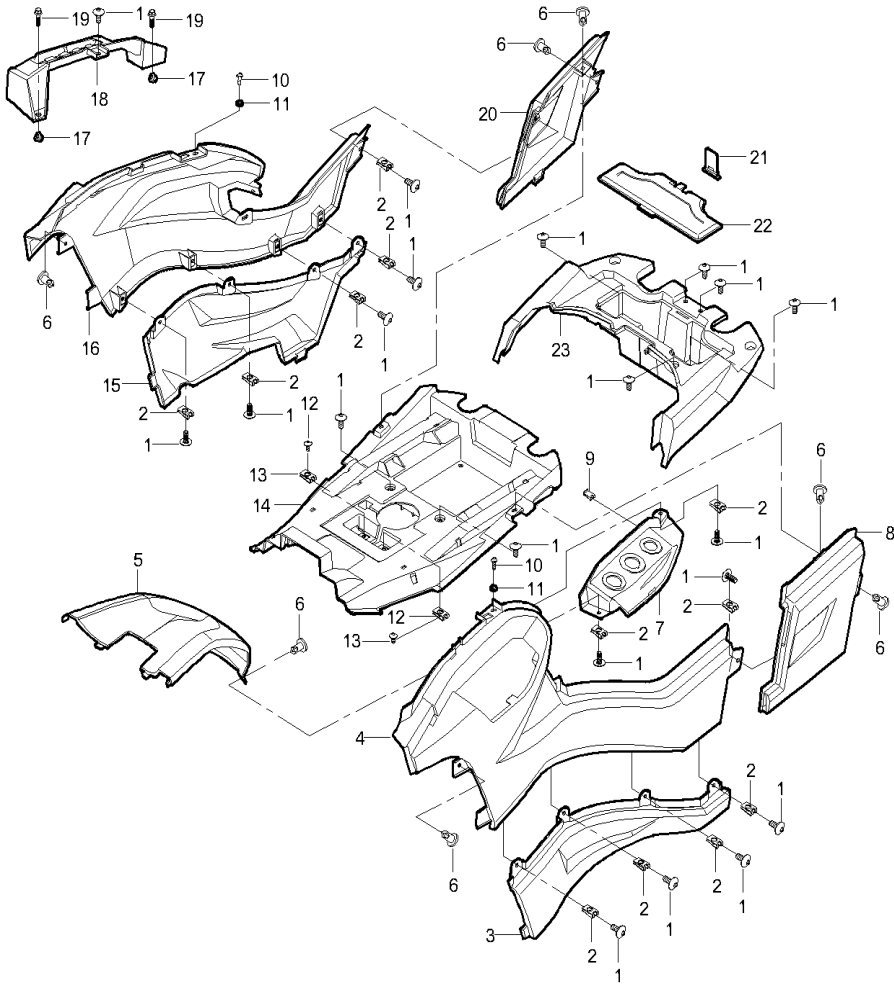
	15	17010203330		1	3,32
	16	17010330040		1	0,534
	17	17010330030		1	0,51
	18	17009160210		1	0,577
	19	17010680000		1	0,183
	20	17010690000		1	0,06
	21	16108150080		1	0,005
	22	6219162205		1	0,002
	23	16110260130		1	0,015
	24	17014110300		8	0,001
	25	17010670000		1	0,183
	26	16110750001		10	0,002
	27	17007010780		2	0,005

18. DIAGRAM 2024 AODES FOOT PEDAL F18

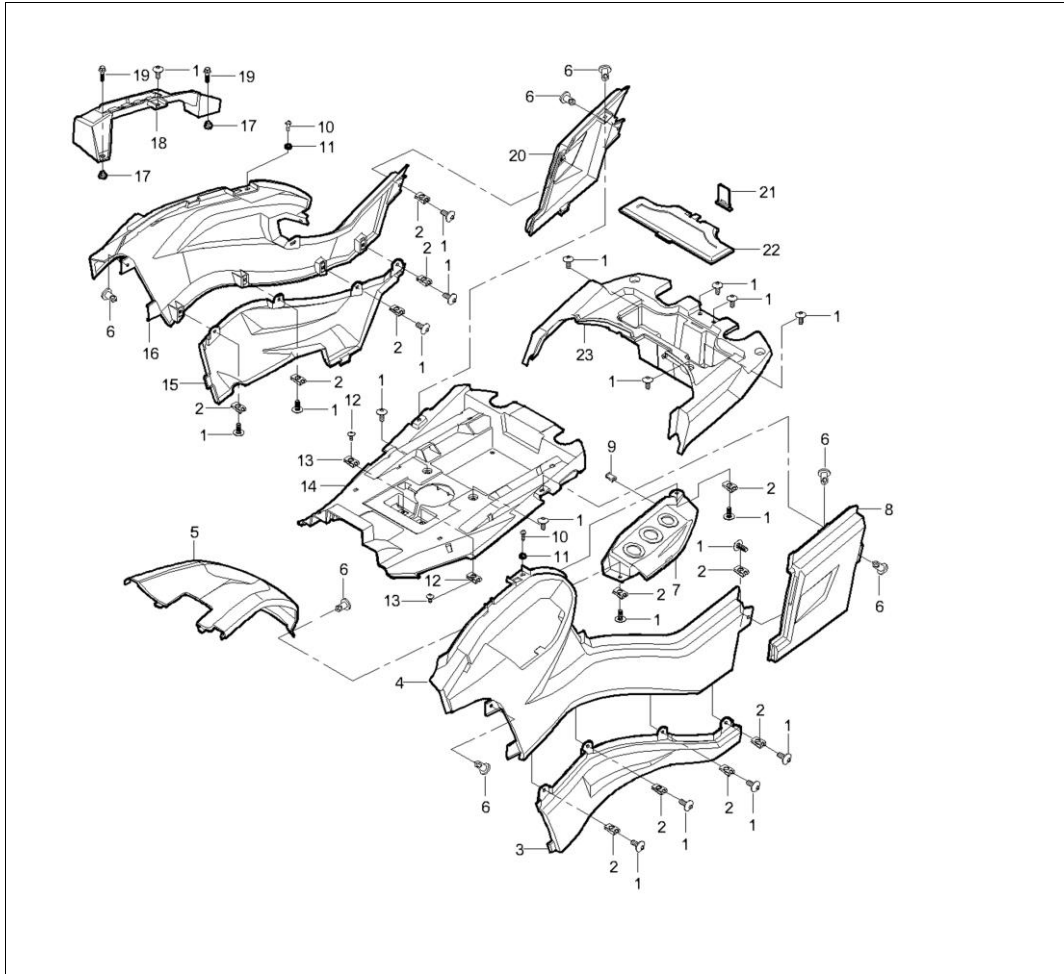


ITEM #	CODE	ENGLISH NAME	QTY	WEIGHTS (kg)
1	17008160000		1	2,22
2	17008170000		1	2,22
3	17008160050		1	1
4	17008160060		1	1
5	17010080020		1	1,995
6	17010080010		1	1,995
7	17008520030		4	0,5
8	3414060164	Phillips head screw	24	0,007
9	4922060025		8	0,002
10	1256100206	Hex Flange Bolt 10x20x1.25	14	0,022
11	34140600254	Phillips head screw	8	0,007

19. DIAGRAM 2024 AODES SIDEBORD COMBINATION F19

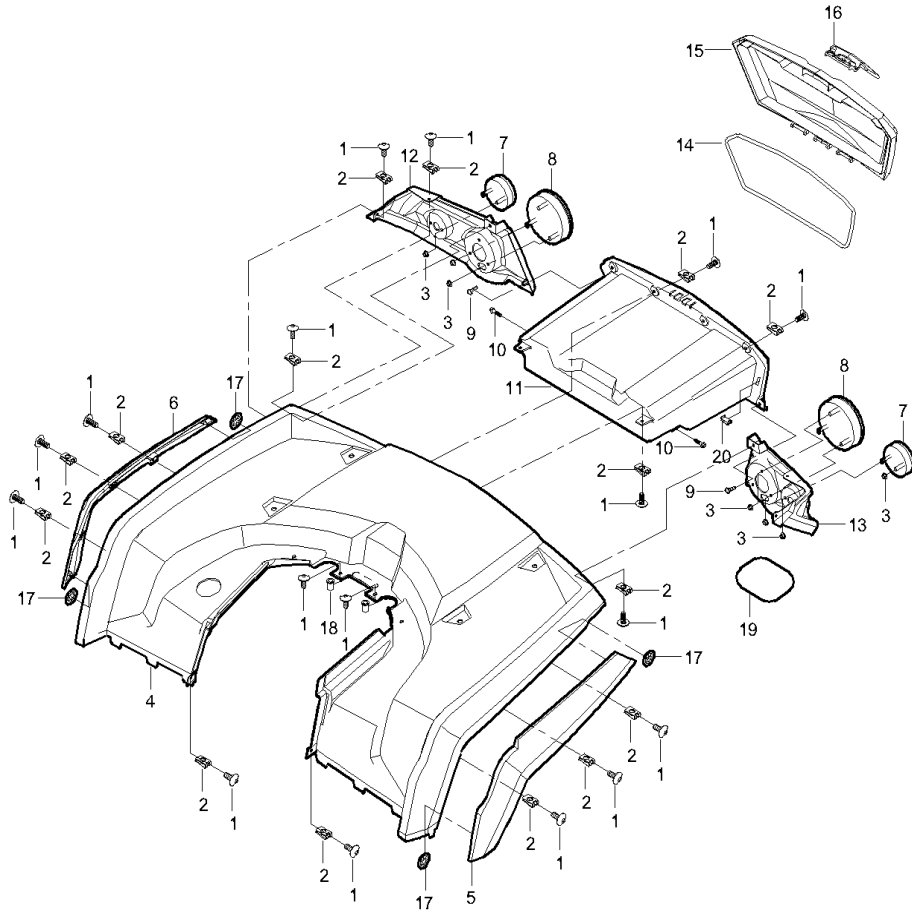


ITEM #	CODE	ENGLISH NAME	QTY	WEIGHTS (kg)
1	3414060124	Phillips head screw	24	0,006
2	4922060025		12	0,002
3	17010202810		1	0,209
4	17010202870		1	0,738
4	17010203060		1	0,738
4	17010202840		1	0,738
4	17010203160		1	0,738
4	17010202920		1	0,738
4	17010203080		1	0,738
4	17010203110		1	0,738
4	17010202380		1	0,738
4	17010203200		1	0,738
4	17010203280		1	0,738
4	17010203350		1	0,738
5	17009160220		1	0,592
6	10410190000		12	0,002
7	17009010260		1	0,01
8	17010202370		1	0,152
9	16110750001		2	0,002
10	3714420165		2	0,002
11	6119040905		2	0,001
12	4922050024		2	0,002
13	1224050125		2	0,005
14	17009090130		1	0,764



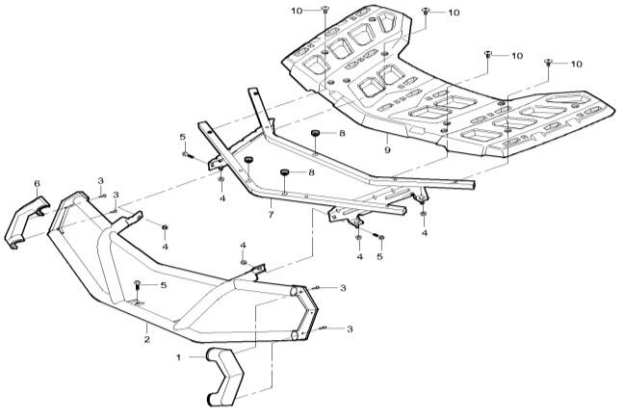
15	17010202820		1	0,32
16	17010202880		1	0,738
16	17010203070		1	0,738
16	17010202850		1	0,738
16	17010203170		1	0,738
16	17010202930		1	0,738
16	17010203090		1	0,738
16	17010203120		1	0,738
16	17010202420		1	0,738
16	17010203210		1	0,738
16	17010203290		1	0,738
16	17010203360		1	0,738
17	4522080026	Hex Flange Locking Nut 8	2	0,01
18	17310360000		1	0,184
19	1224080306		2	0,019
20	17010202410		1	0,152
21	13610630071	Storage Box Rubber Strip	1	0,006
22	17010280140		1	0,074
23	17010280000		1	0,532

20. DIAGRAM 2024 AODES REAR PLASTIC F20



ITEM #	CODE	ENGLISH NAME	QTY	WEIGHTS (kg)
1	3414060124	Phillips head screw	20	0,006
2	4922060025		20	0,003
3	4112060025		10	0,004
4	17010203150		1	3,373
4	17010200900		1	3,373
4	17010202830		1	3,373
4	17010202860		1	3,373
4	17010202940		1	3,373
4	17010202800		1	3,373
4	17010203130		1	3,373
4	17010201050		1	3,373
4	17010203190		1	3,373
4	17010203270		1	3,373
4	17010203340		1	3,373
5	17010100000		1	0,186
6	17010110000		1	0,186
7	17009400002		2	0,06
8	17009070120	Taillight	2	0,21
8	17309070120	Taillight	2	0,21
9	3714420165		2	0,013
10	1254060166	Screw hex-flange	2	0,007
11	17010630010		1	1,435
12	17009070100		1	0,28
13	17009070090		1	0,28

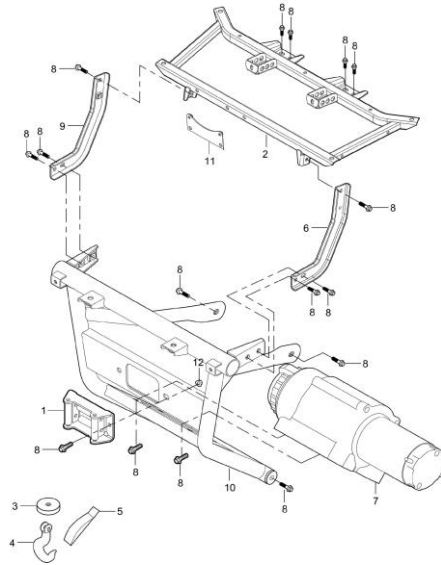
	14	17010630030		1	0,26
	15	17010630020		1	0,45
	16	17010630170		1	0,061
	17	17014110300		4	0,002
	18	4512060027	Rivet Nut 6	2	0,007
	19	17014130010		1	0,059
	20	16110750001		2	0,002

21. DIAGRAM 2024 AODES FRONT RACKS & FRONT BUMPER F21	ITEM #	CODE	ENGLISH NAME	QTY	WEIGHTS (kg)
	1	17010202980		1	0,081
	2	17008110000		1	5,1
	2	17008110150		1	5,1
	2	17308110000			4,8
	3	3714350125		6	0,005
	4	4612080026		6	0,009
	5	1224080206	Hex Flange Bolt 8x20	4	0,015
	6	17010202990		1	0,081
	7	17008120000		1	3,42
	8	10114090120		3	0,005
9	17010730000		1	1,78	
10	3414060164	Phillips head screw	8	0,007	

22. DIAGRAM 2024 AODES REAR RACKS & REAR BUMPER F22		ITEM #	CODE	ENGLISH NAME	QTY	WEIGHTS (kg)
		1	4612080026		4	0,009
		2	17008130000		1	3,41
		3	10114090120		3	0,005
		4	3414060164	Phillips head screw	8	0,007
		5	17010730000		1	1,78
		6	4112050025	Heagon flange locking nut 6	2	0,003
		7	13609180080		2	0,023
		8	1224080206	Hex Flange Bolt 8x20	4	0,018
		9	3714350125		4	0,02
		10	17010203000		1	0,083
		11	17010203010		1	0,083
		12	17008350080		1	3,12
12	17008350100		1	3,12		

23.1 DIAGRAM 2024 AODES FRONT WINCH ASSY (WITHOUT FRONT BUMPER) F23	ITEM #	CODE	ENGLISH NAME	QTY	WEIGHTS (kg)
	1	1224080206	Hex Flange Bolt 8x20	20	0,013
	2	17008110020		1	2,62
	3	17008120220		1	0,09
	4	17008120180		1	0,41
	5	17008120210		1	0,41
	6	17010720010		1	0,02
	7	3414060164	Phillips head screw	4	0,007
	8	17008860000		1	3,668
	9	4612080026		2	0,009
	10	10914150100	Winch Front Roller Bracket	1	0,6
	11	10914060100	Winch Protection Pad	1	0,06
	12	10914150080	Hook	1	0,25
	13	10914150090	Anchor Rope	1	0,01
	14	17010720020		1	0,02
	15	10914150111	Front winch body	1	6,1

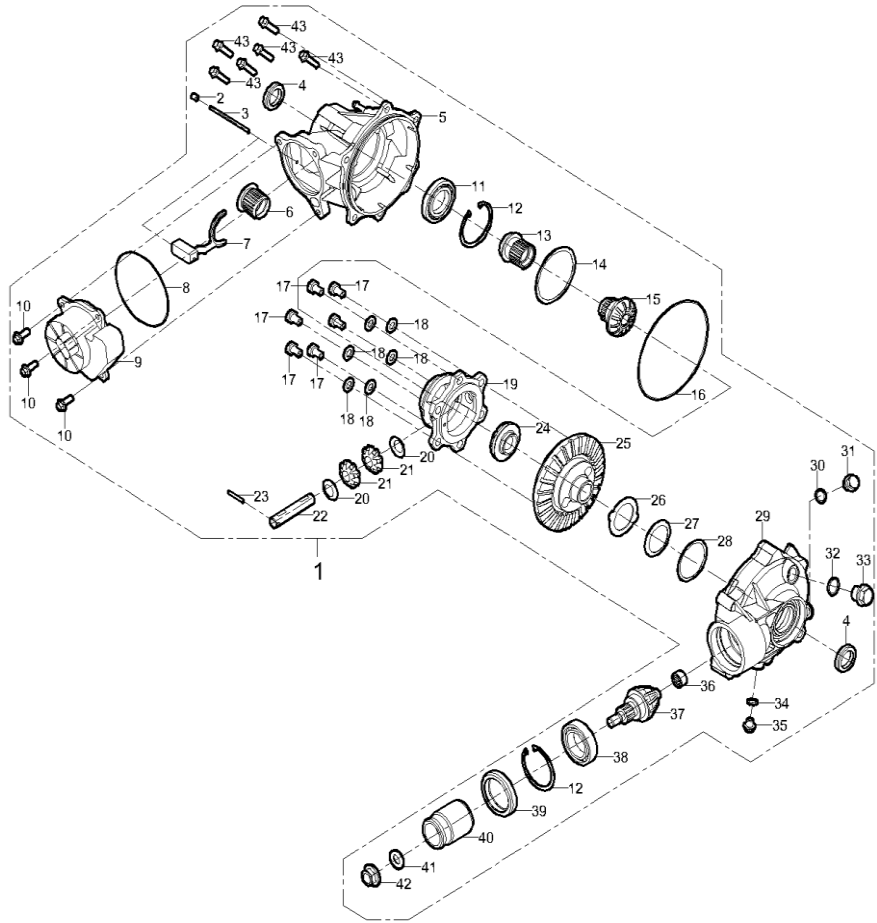
23.2 DIAGRAM 2024 AODES FRONT WINCH ASSY (WITH FRONT BUMPER) F23



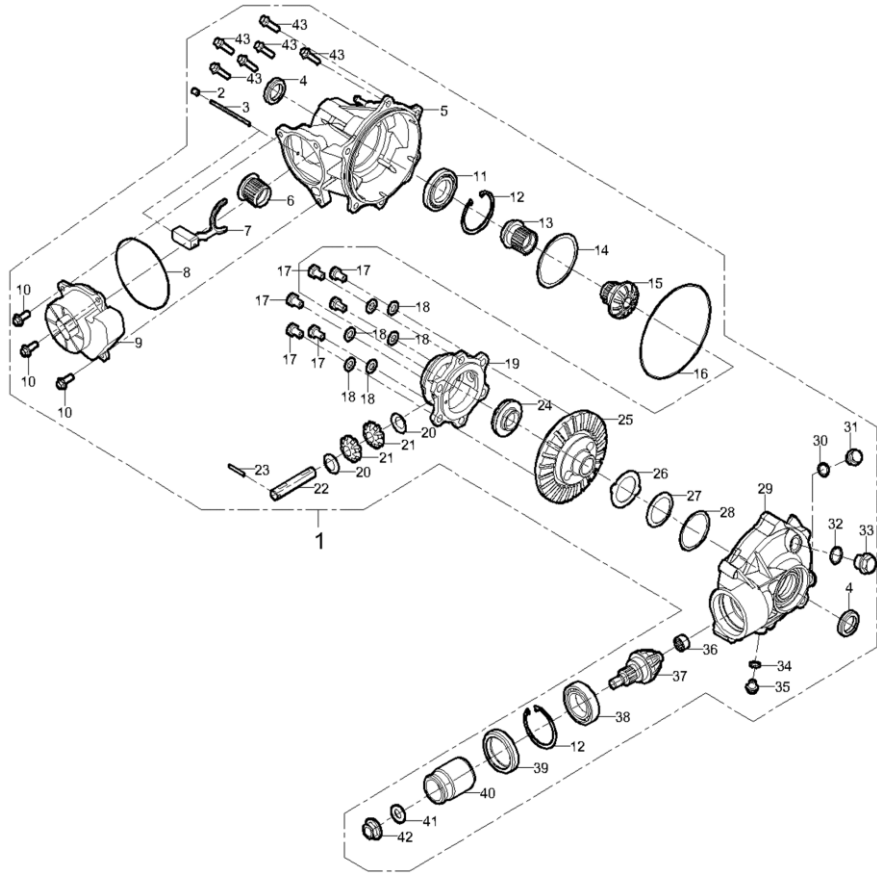
ITEM #	CODE	ENGLISH NAME	QTY	WEIGHTS (kg)
1	10914150100	Winch Front Roller Bracket	1	0,6
2	17008110020		1	2,62
3	10914060100	Winch Protection Pad	1	0,06
4	10914150080	Hook	1	0,25
5	10914150090	Anchor Rope	1	0,01
6	17008120210		1	0,41
7	10914150111	Front winch body	1	5,863
8	1224080206	Hex Flange Bolt 8x20	20	0,41
9	17008120180		1	0,41
10	17308860000		1	3,58
11	17008120220		1	0,09
12	4612080026		2	0,009

24. DIAGRAM 2024 AODES FRONT DIFFERENTIAL F24 (GERMANY)		ITEM #	CODE	ENGLISH NAME	QTY	WEIGHTS (kg)
		1	17010420030		1	0,47
		2	4112060025		2	0,004
		3	4612060026		13	0,004
		4	17009490030		1	0,01
		5	1254060166		13	0,007
		6	13609490000		1	0,1
		7	17010420040		1	0,47
		8	17010420050		2	0,7
		9	13610420010		1	0,5
		10	13010500163		26	0,002
		11	6119061805		26	0,002
		12	13610420020		1	0,5
		13	1224080256		4	0,012

25. DIAGRAM 2024 AODES FRONT DIFFERENTIAL F25

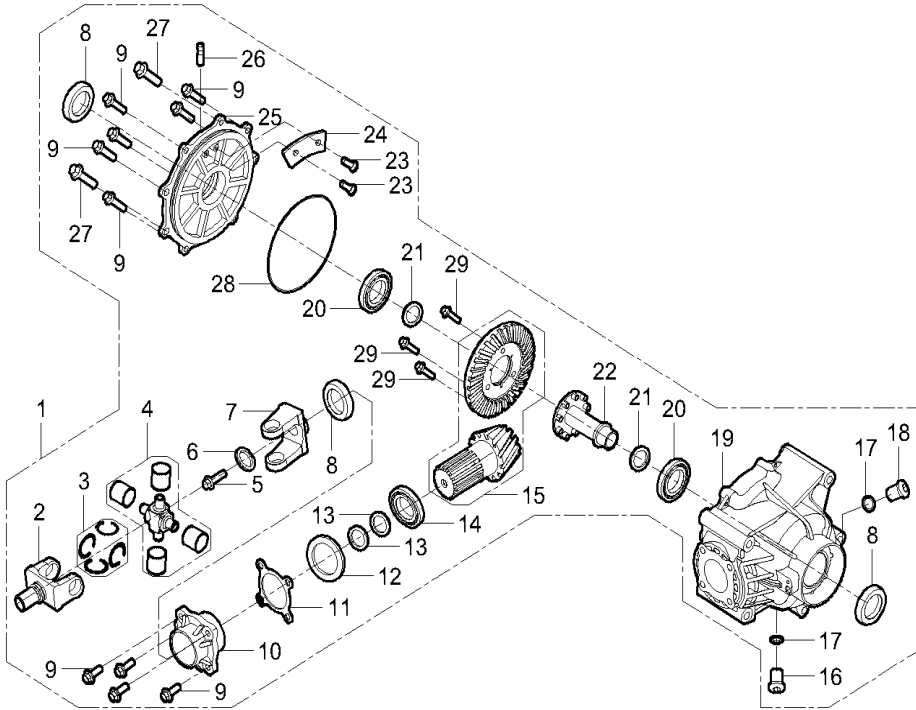


ITEM #	CODE	ENGLISH NAME	QTY	WEIGHTS (kg)
1	21120100002	Front differential	1	
2	21120102001		1	
3	21120102301		1	
4	11010243808		2	
5	21120101302		1	
6	21120101801		1	
7	21120103801		1	
8	21120105101		1	
9	21120102402		1	
10	1224080201		3	
11	9160061912		1	
12	7011620204		2	
13	21120101901		1	
14	21120101501		1	
14	21120101601		1	
14	21120101701		1	
15	21120101401		1	
16	21120101201		1	
17	1114100181		6	
18	21120102501		6	
19	21120100801		1	
20	21120100701		2	
21	21120100501		2	
22	21120100601		1	



23	21120103001		1	
24	21120100401		1	
25	21120100901		1	
26	21120100201		1	
27	21120100301		1	
28	21120103201		1	
28	21120103301		1	
28	21120103401		1	
29	21120101101		1	
30	21130101701		1	
31	21120104001		1	
32	21120104201		1	
33	21120103901		1	
34	21120104501		1	
35	21120104401		1	
36	10030001512		1	
37	21120100101		1	
38	9160106007		1	
39	11010486512		1	
40	21120105401		1	
41	21120104801		1	
42	21120102701		1	
43	1225080251		6	

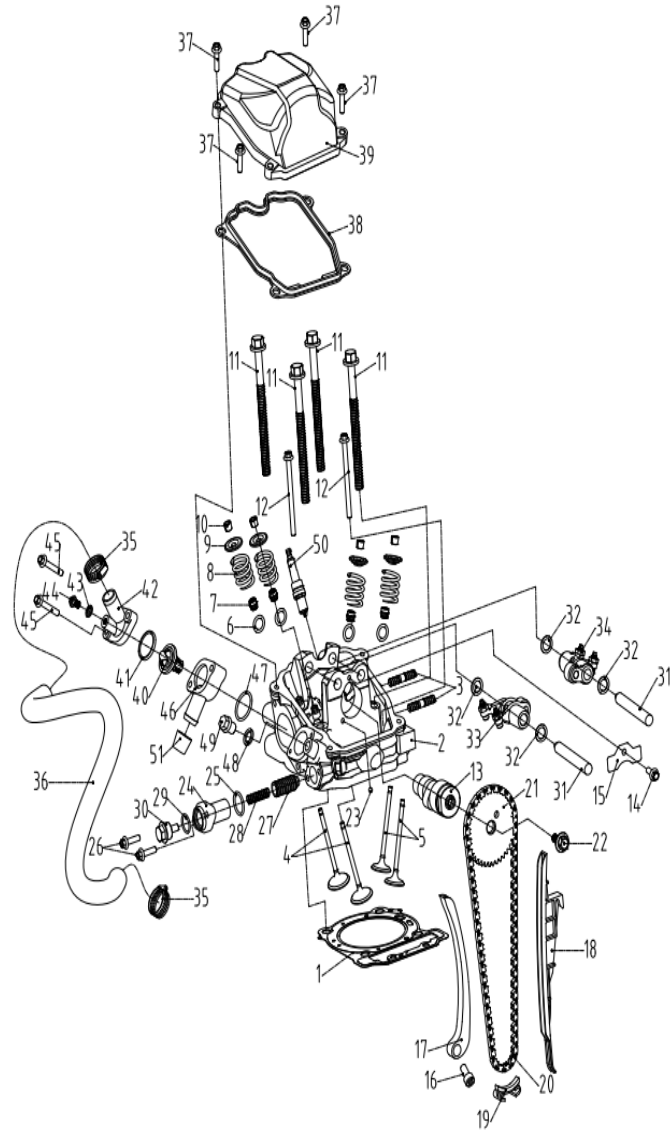
26. DIAGRAM 2024 AODES REAR DIFFERENTIAL F26



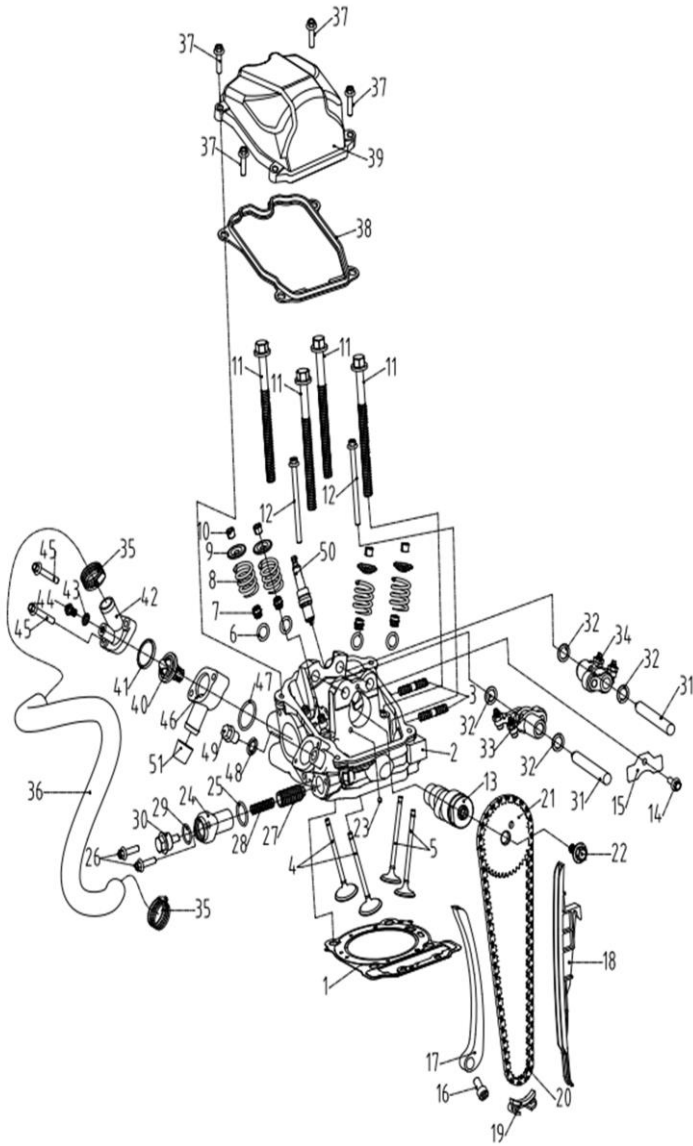
ITEM #	CODE	ENGLISH NAME	QTY	WEIGHTS (kg)
1	17003120100		1	
2	17003130130		1	
3	7011250004		4	0,002
4	17003130120		2	
5	1256100256		1	
6	6119112835		1	0,015
7	17003130110		1	
8	11010035507		3	
9	17003121010		10	
10	17003120830		1	
11	17003120840		N/A	
12	17003120850		1	
13	17003120860		2	
14	17003120870		1	
15	17003120880		1	
	17003120890		1	
16	17003121020		1	
17	17003121030		2	
18	17003121040		1	
19	17003120900		1	
20	17003120910		2	
21	17003120920		2	
22	17003120930		1	
23	17003120940		2	

	24	17003120950		1	
	25	17003120960		1	
	26	17003120970		1	
	27	17003120980		2	
	28	17003120990		1	
	29	17003121000		8	

E01. DIAGRAM 2022 AODES FIRST CYLINDER HEAD ASSY



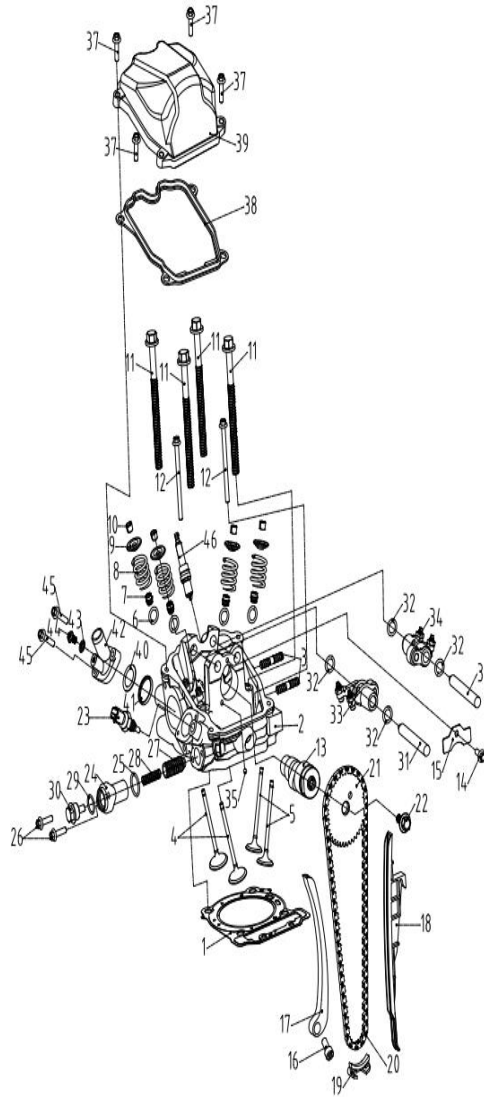
ITEM #	CODE	ENGLISH NAME	QTY	WEIGHTS (kg)
1	21170100702	Cylinder head gasket	1	0,045
2	22040100201	Cylinder, Front	1	2,322
3	21040100501	Stud 8x45	2	0,015
4	21040100601	Inlet valve, 31	2	0,062
5	21040100701	Exhaust valve 27	2	0,071
6	21040100801	Thrust washer	4	0,003
6	21040100802	Thrust washer	4	0,002
7	21040100901	Valve stem seal	4	0,001
8	21040101001	Valve spring	4	0,032
9	21040101101	Valve spring retainer	4	0,011
9	21040101102	Valve spring retainer	4	0,011
10	21040101201	Cotter valve	8	0,001
10	21040101202	Cotter valve	8	0,001
11	21040101301	Screw 10x140	4	0,085
11	21040101302	Screw 10x140	4	0,085
12	01214060851	Hex Flange Bolt 6x85	2	0,017
13	21040101401	Camshaft	1	0,369
14	01224060161	Hex Flange Bolt 6x16	1	0,005
15	21040101601	Holding guard	1	0,010
16	21040101701	Bearing screw 6	1	0,011
17	21040101801	Chain tension guide	1	0,073
18	21040101902	Chain guide	1	0,024
19	21040102001	Chain guide	1	0,004
20	21040102101	Silent chain 6.35Px112	1	0,170



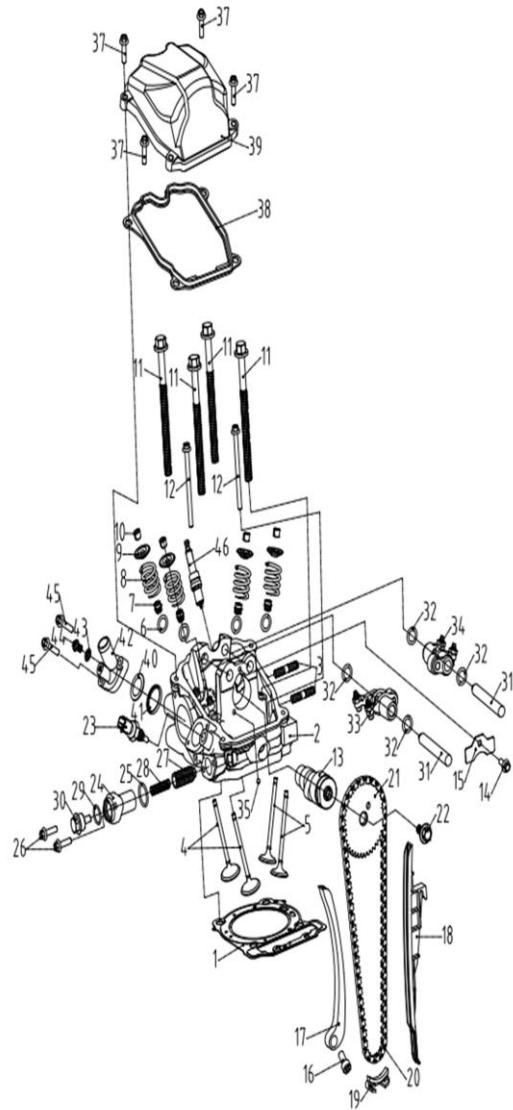
21	21040102201	Camshaft sprocket, 42 teeth	1	0,173
22	21040102301	Flanged torx screw 8x20	1	0,018
23	21040100401	Steel ball SΦ5.159	1	0,001
24	21040102401	Chain tensioner housing	1	0,021
25	21040102501	O-ring 21x2.5	1	0,001
26	01224060221	Hex Flange Bolt 6x22	2	0,006
27	21040102601	Chain tensioner plunger	1	0,009
28	21040102901	Spring	1	0,003
29	21040102701	O-ring 17x2	1	0,001
30	21040102801	Plug screw	1	0,006
31	21040103101	Pin #12, small	2	0,076
32	21040103201	Flat Washer 18.6x12.4x0.5	4	0,001
33	21040103301	Rocker arm inlet	1	0,168
34	21040103401	Rocker arm exhaust	1	0,163
35	21040104902	Clamp	2	0,015
36	21040105001	Water tube	1	0,128
37	01224060251	Hex Flange Bolt 6x25	4	0,007
38	21040103801	Valve cover gasket	1	0,036
39	21040103901	Valve cover	1	0,326
40	21040104001	Thermostat	1	0,036
41	21040104201	Thermostat gasket	1	0,001
42	21040104301	Thermostat cover	1	0,042
43	06150061201	Gasket ring 6	1	0,001
43	21040117001	Screw washer	1	0,001
44	21040104401	Screw 6x10	1	0,002

	45	01214060451	Hex Flange Bolt 6x45	2	0,011
	46	21040104501	Connection socket	1	0,055
	47	21040104601	O-ring 27.8x2.6	1	0,001
	48	21040104701	Copper washer 18x12.4x2	1	0,002
	49	21040104801	Plug screw 12x15	1	0,020
	50	21040105101	Spark plug, DCPR7E	1	0,040
	51	21040104361	Housing cap	1	0,002

E02. DIAGRAM 2022 AODES SECOND CYLINDER HEAD ASSY



ITEM #	CODE	ENGLISH NAME	QTY	WEIGHTS (kg)
1	21170100702	Cylinder head gasket	1	0,045
2	22040100301	Cylinder, Rear	1	2,331
3	21040100501	Stud 8x45	2	0,015
4	21040100601	Inlet valve, 31	2	0,062
5	21040100701	Exhaust valve 27	2	0,071
6	21040100801	Thrust washer	4	0,003
6	21040100802	Thrust washer	4	0,002
7	21040100901	Valve stem seal	4	0,001
8	21040101001	Valve spring	4	0,032
9	21040101101	Valve spring retainer	4	0,011
9	21040101102	Valve spring retainer	4	0,011
10	21040101201	Cotter valve	8	0,001
10	21040101202	Cotter valve	8	0,001
11	21040101301	Screw 10x140	4	0,085
11	21040101302	Screw 10x140	4	0,085
12	01214060851	Hex Flange Bolt 6x85	2	0,017
13	21040101501	Camshaft	1	0,366
14	01224060161	Hex Flange Bolt 6x16	1	0,005
15	21040101601	Holding guard	1	0,010
16	21040101701	Bearing screw 6	1	0,011
17	21040101801	Chain tension guide	1	0,073
18	21040101902	Chain guide	1	0,024
19	21040102001	Chain guide	1	0,004
20	21040102101	Silent chain 6.35Px112	1	0,170



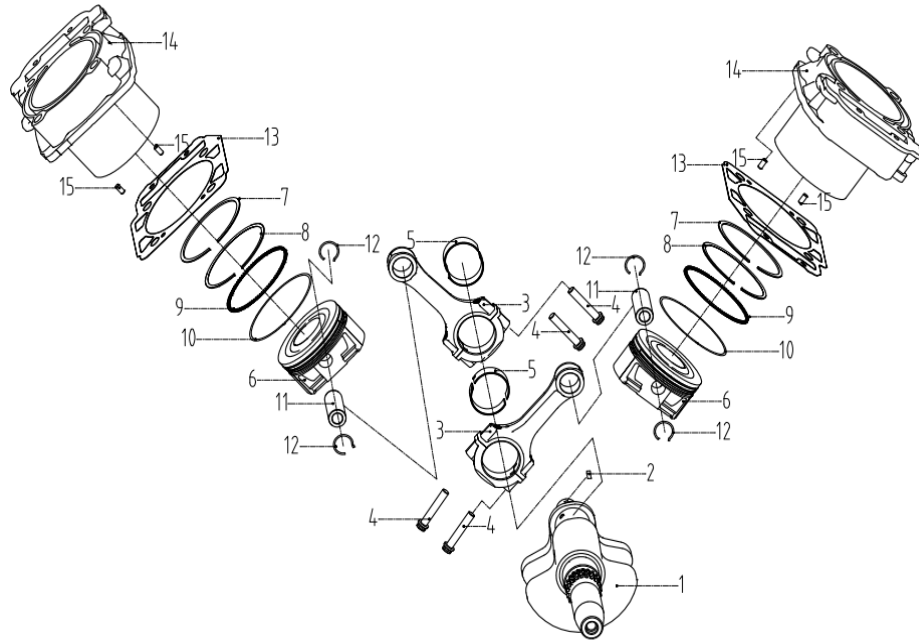
21	21040102201	Camshaft sprocket, 42 teeth	1	0,173
22	21040102301	Flanged torx screw 8x20	1	0,018
23	21040103001	Water temperature sensor	1	0,021
23	21040103002	Water temperature sensor	1	0,021
24	21040102401	Chain tensioner housing	1	0,021
25	21040102501	O-ring	1	0,001
26	01224060221	Hex Flange Bolt 6x22	2	0,006
27	21040102601	Chain tensioner plunger	1	0,009
28	21040102901	Spring	1	0,003
29	21040102701	O-ring 17x2	1	0,001
30	21040102801	Plug screw	1	0,006
31	21040103101	Pin #12, small	2	0,076
32	21040103201	Flat Washer 18.6x12.4x0.5	4	0,001
33	21040103301	Rocker arm inlet	1	0,168
34	21040103401	Rocker arm exhaust	1	0,163
35	21040100401	Steel ball SΦ5.159	1	0,001
37	01224060251	Hex Flange Bolt 6x25	4	0,007
38	21040103801	Valve cover gasket	1	0,036
39	21040103901	Valve cover	1	0,326
40	21040104101	Spacer assembly 30x20.5x1	1	0,001
41	21040104201	Thermostat gasket	1	0,001
42	21040104301	Thermostat cover	1	0,042
43	06150061201	Gasket ring 6	1	0,001
43	21040117001	Screw washer	1	0,001
44	21040104401	Screw 6x10	1	0,002

	45	01224060251	Hex Flange Bolt 6x25	2	0,007
	46	21040105101	Spark plug, DCPR7E	1	0,040

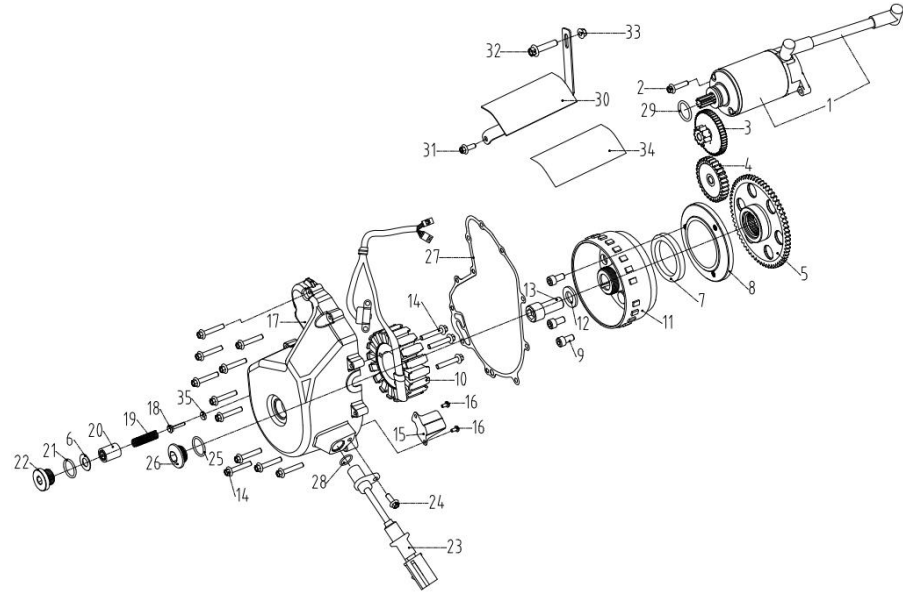
E03. DIAGRAM 2022 AODES CRANKCASE		ITEM #	CODE	ENGLISH NAME	QTY	WEIGHTS (kg)
	1	21040105202	Right crankcase	1	4,650	
	2	21040105301	Left crankcase	1	4,449	
	3	21040105401	Center pin 8x12	5	0,004	
	4	21040105502	Drive pin 5x11	4	0,002	
	5	21040105601	Plug screw npt 1/2	1	0,020	
	6	90101120650	Insert pin 10*1.5-17K	8	0,002	
	7	21040105701	Plug screw npt 1/8	3	0,004	
	8	21040105801	Plug screw npt 1/4	3	0,008	
	9	21040105901	Location pin	3	0,030	
	10	21040106001	Plain bearing	2	0,025	
	10	21040106002	Plain bearing	2	0,025	
	11	21040106101	Plain bearing	2	0,025	
	11	21040106102	Plain bearing	2	0,025	
	12	21170102101	Crankcase off-gas line (left case)	1	0,200	
	13	21040403801	Clamp φ10-16	1	0,005	
	14	21040106301	Needle pin 6x10	1	0,005	
	15	21040106401	Gasket	1	0,009	
	16	01214080651	Hex Flange Bolt 8x65	4	0,025	
	17	01224060351	Hex Flange Bolt 6x35	1	0,009	
	18	01214060751	Hex Flange Bolt 6x75	12	0,015	
	19	21040106501	Valve plate	1	0,001	
19	21040106502	Valve plate	1	0,001		
20	21040106601	Reed valve stop	1	0,019		
21	01224060161	Hex Flange Bolt 6x16	3	0,005		

	22	21040116001	Dowel pin 10x16	1	0,003
	23	21040106801	Stud 8x62	2	0,021
	24	21040100501	Stud 8x45	1	0,015
	25	21040106901	Gasket	1	0,008
	26	21040107001	Pot cover assembly	1	0,955
	27	21040107101	Bearing sleeve	2	0,015
	27	21040107102	Bearing sleeve	2	0,015
	28	21040107301	Oil seal 34x52x8	1	0,021
	30	21040107201	Hose outlet npt1/4	1	0,021
	31	01224060351	Hex Flange Bolt 6x35	14	0,009
	32	21040107401	Sealing ring $\Phi 8$	1	0,001
	33	01224080161	Hex Flange Bolt 8x16	1	0,011
	34	04112080021	Hex flange nut M8	3	0,002

E04. DIAGRAM 2022 AODES CRANKSHAFT PISTON AND CYLINDER



ITEM #	CODE	ENGLISH NAME	QTY	WEIGHTS (kg)
1	21040107502	Crankshaft	1	4,360
2	21040107701	Woodruff key 4x5	1	0,001
3	21040107801	Connecting rod assembly	2	0,393
4	21040107821	Connecting rod screw 8 X 1	4	0,020
5	21040107831	Plain bearing	4	0,015
5	21040107832	Plain bearing	4	0,015
6	21170100101	Piston Assembly	2	0,340
7	21170100301	First piston ring	2	0,008
8	21170100401	Second piston ring	2	0,011
9	21170100501	Scraper ring	4	0,002
10	21170100601	Oil ring	2	0,002
11	21040108701	Piston pin	2	0,089
12	21040108801	Piston circlip	4	0,001
13	21040408901	Gasket	2	0,001
14	21170100201	Cylinder with sleeve	2	1,832
14	21170100202	Cylinder with sleeve	2	1,832
15	21040105502	Drive pin 5x11	4	0,002

E05. DIAGRAM 2022 AODES MAGNETO & STARTER MOTOR


ITEM #	CODE	ENGLISH NAME	QTY	WEIGHTS (kg)
1	21170102703	Starter assembly	1	2,094
2	02224080251	Hex Flange Bolt 8x25	1	0,014
3	21040109201	Double gear 49T/11T	1	0,191
4	21040109301	Gear, 30 teeth	1	0,156
5	21040109401	Free wheel gear, 60 teeth	1	0,488
7	21040109501	Sprag clutch	1	0,088
8	21040109601	Sprag clutch housing	1	0,477
9	03344080161	Flanged screw 8x16	3	0,012
10	21170103101	Stator plate	1	1,200
11	21170103201	Flywheel	1	1,400
12	21040109901	Shim 30x16.5x3	1	0,011
13	03344160357	Socket head screw 16x35	1	0,085
14	01224060351	Hex Flange Bolt 6x35	14	0,009
15	21040110101	Cable inner cover	1	0,012
16	03113040081	Tap Screw 4x8	2	0,001
17	22040110202	Cover	1	1,169
18	21040110401	Pressure relief valve	1	0,005
19	21040110501	Compression spring	1	0,002
20	21040110601	Housing valve	1	0,008
21	21040500601	O-ring $\varnothing 22.5 \times 2.7$	1	0,001
22	21040110801	Screw plug 22x1.5	1	0,059
23	21040110901	Crankshaft position sensor assembly	1	0,058
24	01224060161	Hex Flange Bolt 6x16	1	0,005
25	21040111101	O-ring	1	0,001

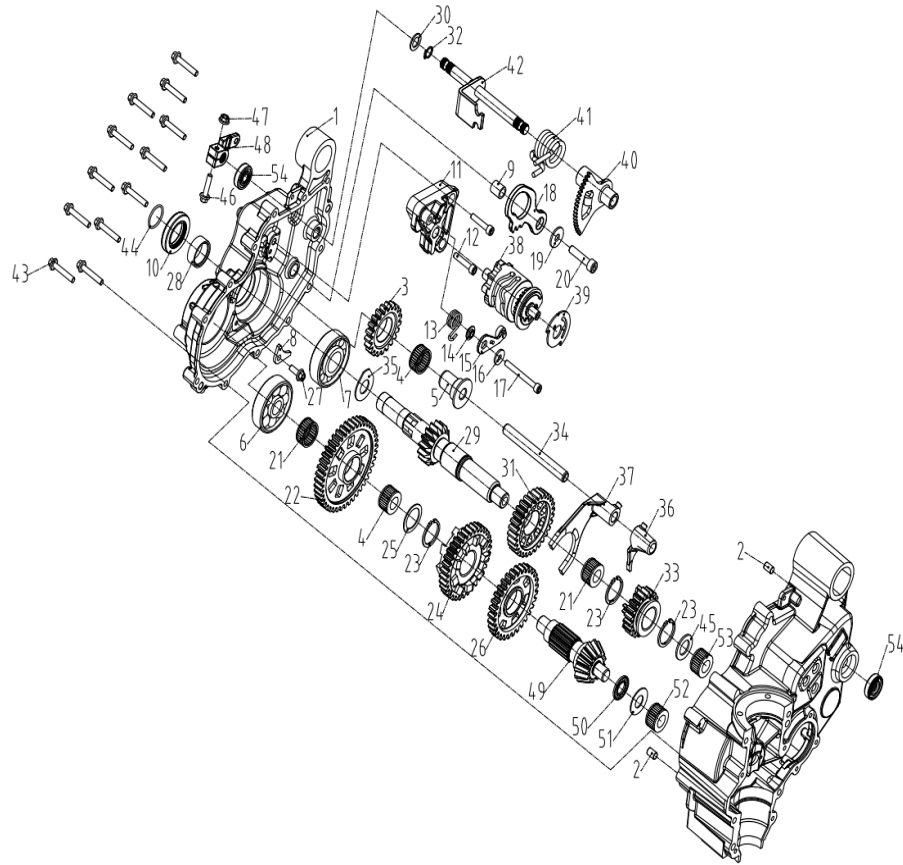
	26	21040111201	Screw plug	1	0,007
	27	21040111301	Gasket	1	0,005
	28	21040111001	O-ring 16x2	1	0,001
	29	21040109118	O-ring 23.8x3.1	1	0,001
	30	21170102901	Starter Shield	1	0,136
	31	01224060141	Hex Flange Bolt 6x14	1	0,005
	32	01224060251	Hex Flange Bolt 6x25	1	0,007
	33	04633060023	Hex Flanged elastic nut 6	1	0,004
	34	21040117501	Brake Cable-Heat Insulation Film (Thin)	1	0,001
	35	21040110301	Cushion	1	0,001

E06. DIAGRAM 2022 AODES ENGINE LUBRICATION		ITEM #	CODE	ENGLISH NAME	QTY	WEIGHTS (kg)
		1	21040104701	Copper washer 18x12.4x2	1	0,002
		2	21040104801	Plug screw 12x15	1	0,020
		3	21040111401	Oil Filter	1	0,007
		4	21040111501	Oil filter cover	1	0,021
		5	01223050161	Hex Flange Bolt 5x16	2	0,004
		6	21040111601	Oil filter	1	0,063
		7	21040116901	O-ring 61.5x2.65	1	0,001
		8	21040111801	Oil filter cover	1	0,085
		9	01224060181	Hex Flange Bolt 6x18	3	0,007
		10	21040111901	Oil pressure switch	1	0,031
		11	21040112001	O-ring	2	0,001
		12	21040112101	Oil dipstick	1	0,023
		13	21040516601	Bearing pin	2	0,030
		14	09360006200	Ball bearing 6200-2rz	1	0,032
		15	21040112302	Idle Gear	1	0,020
		16	21040112401	V-Ring	1	0,004
		17	21040112501	Bolt	1	0,048
		18	21040112601	Oil pump rotor	1	0,026
		19	21040112801	Oil pump shaft	1	0,028
		20	21040112901	Oil pump cover	1	0,042
		21	03424050161	Screw 5x16	3	0,002
		22	21040113001	Thrust washer	1	0,001
		23	21040113101	Needle pin	1	0,003
		24	21040113202	Oil pump gear, 33 teeth	1	0,021

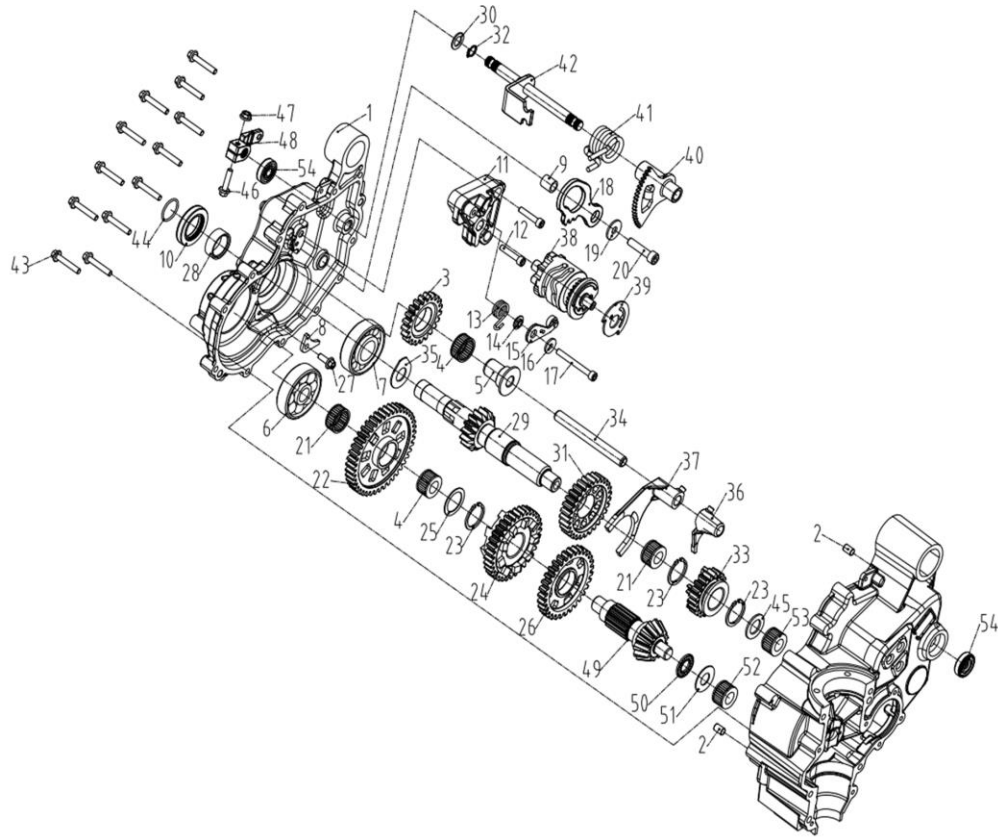
	25	07021101004	Snap ring 10	1	0,001
	26	21040113402	Idle gear, 38T	1	0,033
	27	21040112701	Needle pin 4x16	1	0,002
	28	17012050060	Water outlet mounting board	1	0,020

E07. DIAGRAM 2022 AODES ENGINE COOLING		ITEM #	CODE	ENGLISH NAME	QTY	WEIGHTS (kg)
	1	21040113501	Intermediate shaft	1	0,099	
	2	21040113001	Thrust washer	2	0,001	
	3	21040113602	Water pump gear z=20	1	0,009	
	4	21040113701	Needle pin 4x20	3	0,002	
	5	21040113802	Pump gear,15 teeth	2	0,009	
	6	07021101004	Snap ring 10	2	0,001	
	7	21040106201	Oil seal 10x25x5	1	0,004	
	8	21040114001	Water pump shaft	1	0,044	
	9	21040114102	Water impeller	1	0,020	
	10	21040114201	Water pump housing	1	0,183	
	11	21040114301	Gasket	1	0,001	
	12	06150061201	Gasket ring 6	1	0,001	
	13	01224060251	Hex Flange Bolt 6x25	4	0,007	
	14	21040114211	Clip	1	0,001	
	15	21040113901	Rotary seal	1	0,018	

E08. DIAGRAM 2022 AODES GEAR BOX 1



ITEM #	CODE	ENGLISH NAME	QTY	WEIGHTS (kg)
1	21040202501	Gear Housing Left cover	1	1,059
2	21040105401	Center pin 8x12	4	0,004
3	21040202601	INTERMEDIATE GEAR 21TH	1	0,132
4	10031252910	BEARING-NEEDLE K252910	2	0,008
5	21040202801	INTERMEDIATE GEAR SHAFT	1	0,090
6	09160006403	BEARING-BALL 6403	1	0,273
7	09160006305	BALL BEARING 6305	1	0,227
8	21040203001	BEARING SET PLATE	1	0,010
9	21040203101	SLEEVE OF LOCK LEVER 14x10x15	1	0,014
10	21040201801	SEAL-OIL 32x47x7	1	0,014
11	21040203201	SUPPORT FIXING BLOCK	1	0,142
12	03344060301	ALLEN SCREW-SOCKET	2	0,009
13	21040203301	Index spring	1	0,008
14	21040203401	Step ring	1	0,003
15	21040203501	Index lever	1	0,018
16	21040203601	Washer	1	0,004
17	03344060551	SCREW-ALLEN 6x55	1	0,014
18	21040203701	PARKING LOCK LEVEL ASSEMBLY	1	0,072
19	21040203801	WASHER 24x8.5x2	1	0,005
20	01224080351	HEX FLANGE SCREW 24xφ8.5x2	1	0,018
21	10032252913	BEARING-NEEDLE SB252913TN	2	0,007
22	21040204001	REVEL LOW RANGE GEAR 43TH	1	0,378
23	07021271204	RING-RETAINING 27	3	0,003
24	21040204201	REVEL HIGH RANGE GEAR 34TH	1	0,614



25	21040206902	THRUST WASHER 34x25x1.2	1	0,007
26	21040204401	REVEL REVERSE GEAR 31TH	1	0,214
27	01224060161	Hex Flange Bolt 6x16	1	0,005
28	21040201601	Distance ring 32x25x11.4	1	0,026
29	21040204501	Main Shaft z=14	1	0,878
30	21040205801	O-ring 20x12.5x1	2	0,001
31	21040204601	Gear pinion, 29 teeth	1	0,173
32	07021121004	CIRCLIP	1	0,001
33	21040204701	MAIN LOW RANGE GEAR 20TH	1	0,254
34	21040204801	FORK SPINDLE	1	0,072
35	21040204909	THRUST WASHER SET	1	0,001
36	21040205001	LITTLE SHIFT FORK	1	0,091
37	21040205101	BIG SHIFT FORK	1	0,125
38	21040205201	SHIFT DRUM ASSEMBLY	1	0,830
39	21040205301	ISOLATING WASHER	1	0,003
40	21040205401	Shifting Gear	1	0,175
41	21040205501	Retern Spring	1	0,095
42	21040205601	Gear Shift Spindle	1	0,207
43	01224060351	Hex Flange Bolt 6x35	12	0,009
44	21040201501	O-ring 24x2	1	0,001
45	21040206702	Washer 30x18x2	1	0,007
46	01224060251	Hex Flange Bolt 6x25	1	0,007
47	04112060021	Hex Nut 6	1	0,010
48	21050905603	Shift Arm	1	0,079
49	21040201002	Counterr Shaft	1	1,210

	50	10051152802	Bearing-Needle	1	0,003
	51	21040201202	THRUST WASHER SET MAG SIDE	1	0,014
		21040201221	THRUST WASHER SET MAG SIDE		0,014
		21040201222	THRUST WASHER SET MAG SIDE		0,014
	52	10011152716	Bearing-needle NB152716	1	0,040
	53	10011182616	Bearing-needle DB182616	1	0,025
	54	21040200701	Oil seal 12x28x7	2	0,008

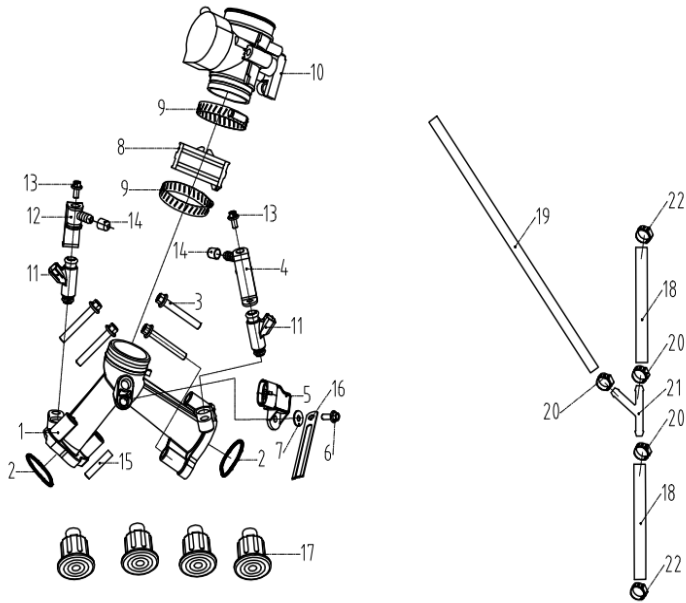
E09. DIAGRAM 2022 AODES GEAR BOX 2		ITEM #	CODE	ENGLISH NAME	QTY	WEIGHTS (kg)
	1	21040200201	Gear Housing Right cover	1	0,844	
	2	21040200301	Gear housing	1	1,942	
	3	21040105401	Center pin 8x12	2	0,004	
	4	21040200402	Breathe pipe	1	0,004	
	5	21040200801	Angle rotation sensor	3	0,005	
	6	21040104701	Copper washer 18x12.4x2	2	0,002	
	7	21040104801	Plug screw 12x15	2	0,020	
	8	21040200101	Sensor-Speed	1	0,036	
	9	01224060161	Hex Flange Bolt 6x16	1	0,005	
	10	21040200902	Drive Shaft Assembly	1	4,070	
	11	21040201302	THRUST WASHER	1	0,014	
	12	09160006305	Ball bearing 6305	1	0,227	
	13	21040201501	O-ring 24x2	2	0,001	
	14	21040201601	Distance ring 32x25x11.4	1	0,026	
	15	21040201701	Bearing Cover	1	0,098	
	16	21040201801	Oil seal 32x47x7	1	0,014	
	17	01225080251	Hex Flange Bolt 8x25	4	0,014	
	18	21040201907	Adjust Washer	1	0,014	
		21040201903	Adjust Washer		0,014	
	19	09160006206	Bearing Ball 6206	1	0,198	
	20	21040202101	Shifting sleeve kit	1	0,246	
	21	21040115801	O-ring 47x2	1	0,001	
	22	21140210301	Gear box plug	1	0,109	
23	21140210202	Gear box plate	1	0,340		

	24	01214060851	Hex Flange Bolt 6x85	2	0,017
	25	01224060351	Hex Flange Bolt 6x35	5	0,009
	26	01224080202	Flanged torx screw 8x20	3	0,018
	27	03344080351	Allen Screw M8x35	4	0,018
	28	21040206501	Screw 3x6	3	0,001
	29	21040402401	Wire holder	1	0,011
	30	21040116501	Washer	1	0,029
	31	21040201302	Adjust Washer	1	0,014
	32	01324100255	Hex Flange Bolt 10x1.5x25	1	0,017

E10. DIAGRAM 2022 AODES DRIVE SHAFT	ITEM #	CODE	ENGLISH NAME	QTY	WEIGHTS (kg)
	1	21040115402	Drive shaft	1	0,997
	2	21040206101	Drive shaft check ring	1	0,001
	3	21040115501	Bearing cover	2	0,074
	4	09160061906	Ball bearing 6906	1	0,050
	5	21040115701	Oil seal 30x47x7	1	0,012
	6	21040115801	O-ring 47x2	1	0,001
	7	09160006005	Ball bearing 6005	1	0,079
	8	21040116101	Oil seal 25x47x7	1	0,015
	9	21040116201	Gasket	2	0,001
	10	01224060161	Hex Flange Bolt 6x16	6	0,005
	11	07011470001	C-clamp 47	1	0,006
	12	21040115901	Seal	1	0,001
	13	21040117101	Transmission transition housing	1	0,223
	14	060214291235	Washer 29.5x12.5x3.5	1	0,014
	15	21051001501	Bolt 12x1.25x25	1	0,039

E11. DIAGRAM 2022 AODES CVT TRANSMISSION		ITEM #	CODE	ENGLISH NAME	QTY	WEIGHTS (kg)
	3	21170101101	Driving Wheel Assembly	1	3,226	
	3	21040306501	Driving Wheel Assembly	1	3,226	
	4	21170101002	Driven Wheel Assembly	1	3,870	
	4	21040306401	Driven Wheel Assembly	1	3,870	
	5	060214291235	Washer 29.5x12.5x3.5	1	0,014	
	6	21040303501	Adjust Washer 30.1x10.2x8.5	1	0,036	
	7	21040303702	Screw-hex12x150	1	0,115	
	8	21040301902	Hex Screw 10x115	1	0,077	
	9	21040303801	V-belt	1	0,483	
	9	21040303802	V-belt	1	0,483	
	10	21170104201	Hex distance screw 6x42	13	0,100	
	11	21050804302	Clutch cover	1	0,639	
	12	21050800702	Gasket	1	0,087	
	13	21050800102	CVT air guide	1	0,930	
	14	01314060203	Hex Flange Bolt 6x20	9	0,007	
	15	21040303601	Washer 32x25.1x0.5	1	0,001	
	16	21170102001	Rubber pad	13	0,001	
	17	21040103501	Screw rubber sleeve	13	0,001	
	18	21050804601	Drain plug	1	0,001	
	19	21050804701	Drain Plug clip	1	0,001	
20	21170103601		1	0,115		

E12. DIAGRAM 2022 AODES AIR INDUCTION SYSTEM



ITEM #	CODE	ENGLISH NAME	QTY	WEIGHTS (kg)
1	21040114401	Air intake manifold	1	0,288
1	21040117801	Air intake manifold	1	0,288
2	21040114501	Gasket	2	0,002
3	01214080551	Hex Flange Bolt 8x55	4	0,022
4	21170103001	Injection Valve Cap	1	0,055
5	21040114601	Pressure and temp sensor	1	0,026
6	01224060161	Hex Flange Bolt 6x16	1	0,005
7	06222061704	Washer 6x17.8x1.5	1	0,002
8	21040114703	Intake neck	1	0,158
9	21040115001	Clamp 40-60	2	0,029
10	21170102301	Throttle body	1	0,648
11	21170101401	Fuel injector	2	0,033
12	21040115103	Injection Valve Cap	1	0,055
13	01224060121	Hex Flange Bolt 6x12	2	0,005
14	21040114911	Fuel injector cap	2	0,001
15	21051100311	Bolt spacer	4	0,008
16	21040402401	Wire holder	1	0,011
17	21040206301	Anti-vibration mount	4	0,066
18	21170103701		2	0,066
19	21170104001		1	0,066
20	21170104901		3	0,066
21	21170102801		1	0,066
22	21170104101		2	0,066